



US00D335348S

United States Patent [19]
Frenkel et al.

[11] **Patent Number: Des. 335,348**
[45] **Date of Patent: ** May 4, 1993**

[54] **ASSAY MODULE MAGAZINE**
[75] **Inventors: Dina Frenkel, Plano, Tex.; Melvin S. Henriksen, Walpole, Mass.; Ernest W. Long, Concord, Mass.; Robert C. MacIndoe, Jr., Linwood, Mass.**

[73] **Assignee: PB Diagnostic Systems Inc., Westwood, Mass.**

[**] **Term: 14 Years**

[21] **Appl. No.: 734,808**

[22] **Filed: Jul. 23, 1991**

[52] **U.S. Cl. D24/224; D24/226**

[58] **Field of Search D24/216, 224, 225, 226, D24/227, 229; 414/417, 796.8; 422/58, 61, 62, 63, 64, 65, 66, 67**

[56] **References Cited**

U.S. PATENT DOCUMENTS

Re. 30,595 4/1981 Covington et al. 422/63
D. 234,088 1/1975 Grandos D24/229
D. 260,428 8/1981 Fekete D24/226

D. 266,589 10/1982 Gilford et al. D24/226
D. 282,005 12/1985 Käyhkö D24/226
D. 290,170 6/1987 Käyhkö D24/226
D. 313,276 12/1990 McHugh D24/227
4,512,952 4/1985 Blanding et al. 422/63
4,515,753 5/1985 Smith et al. 422/63 X
5,167,922 12/1992 Long 422/64 X

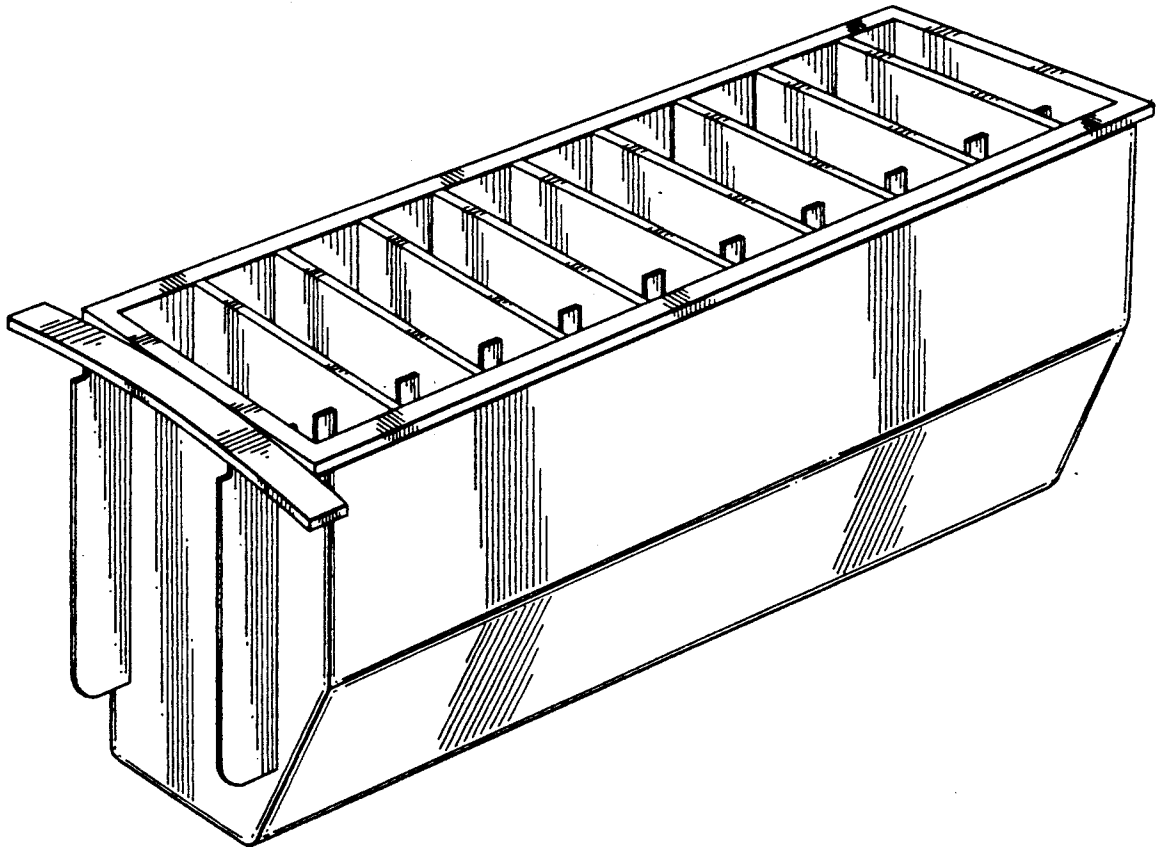
Primary Examiner—Alan P. Douglas
Assistant Examiner—Antoine D. Davis
Attorney, Agent, or Firm—Gaetano D. Maccarone

[57] **CLAIM**

The ornamental design for an assay module magazine, as shown and described.

DESCRIPTION

FIG. 1 is a right front perspective view of an assay module magazine;
FIG. 2 is a top elevational view thereof;
FIG. 3 is a bottom elevational view thereof;
FIG. 4 is a right side elevational view thereof;
FIG. 5 is a left elevational view thereof;
FIG. 6 is a front end elevational view thereof; and,
FIG. 7 is a rear end elevation view thereof.



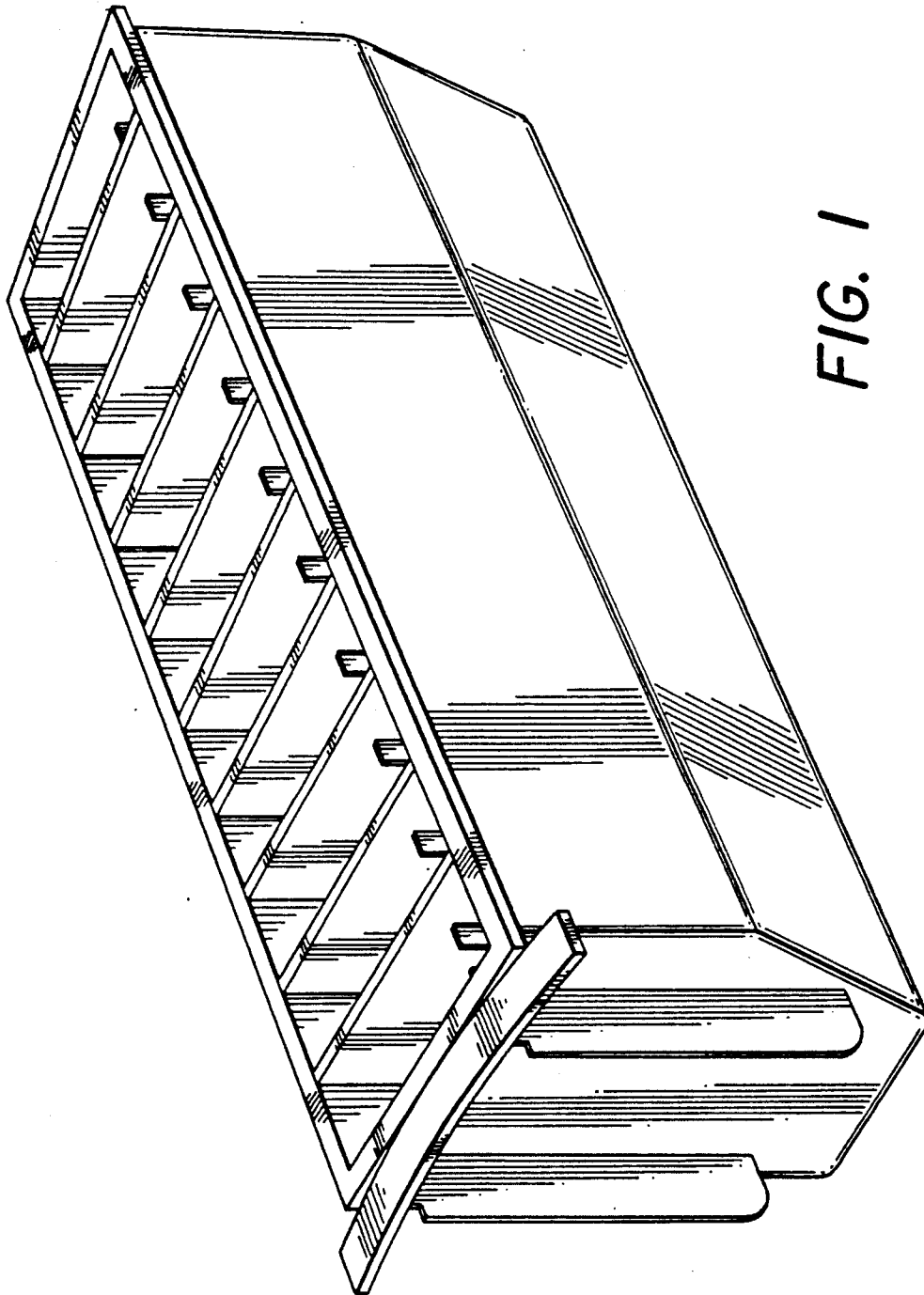


FIG. 1

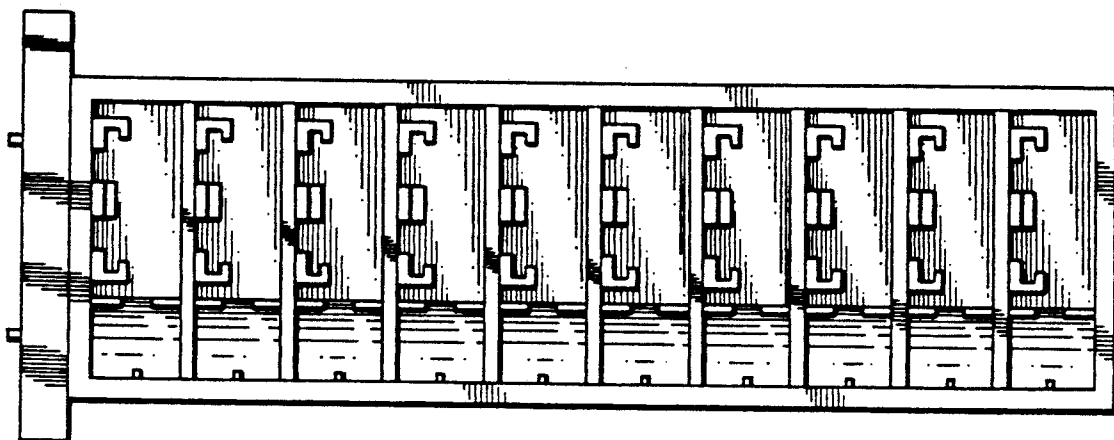


FIG. 2

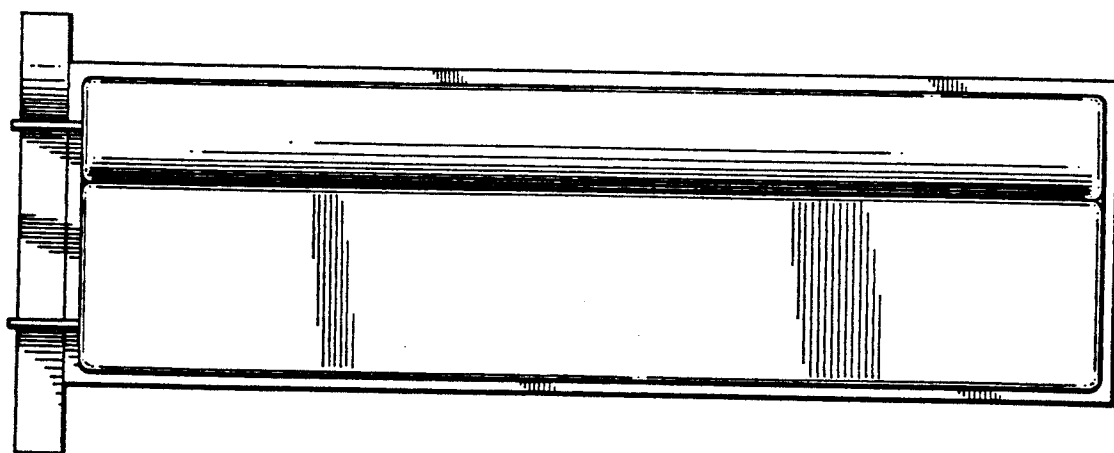


FIG. 3

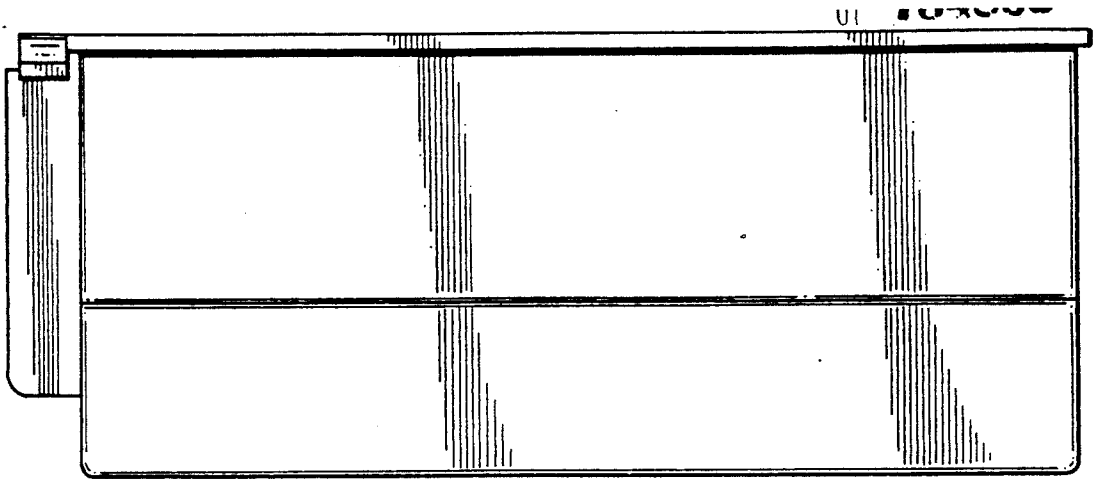


FIG. 4

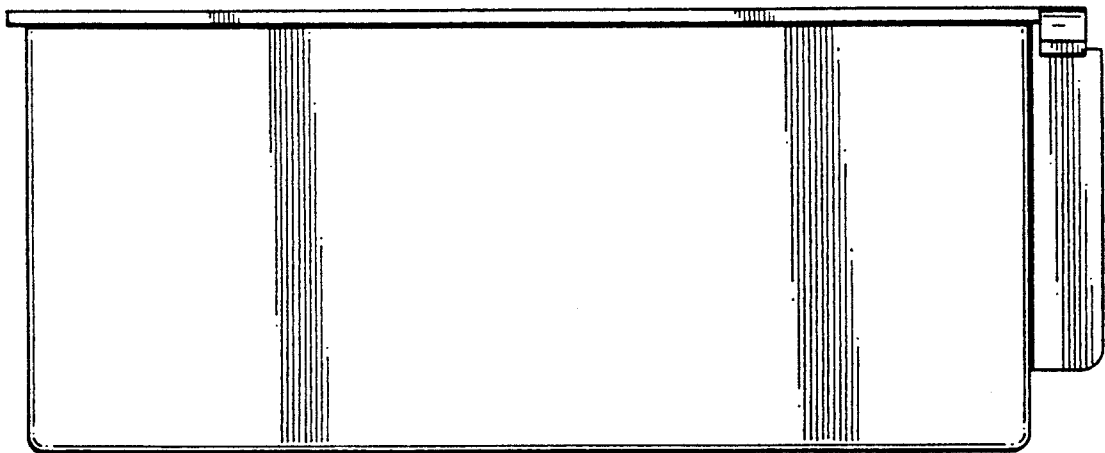


FIG. 5

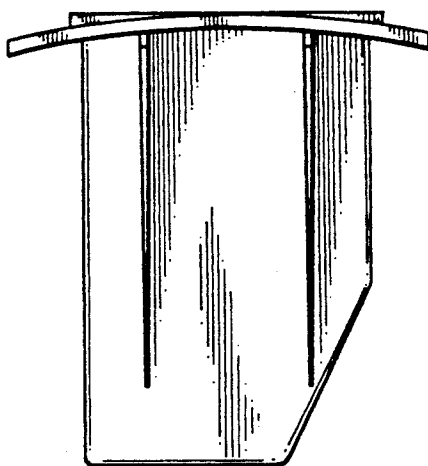


FIG. 6

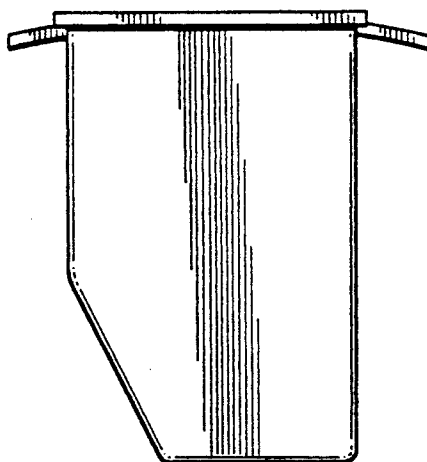


FIG. 7