



US00D726491S

(12) **United States Design Patent**
Witzel et al.

(10) **Patent No.:** US D726,491 S

(45) **Date of Patent:** ** Apr. 14, 2015

(54) **FOLDABLE GRILL WITH OFFSET LEGS**

(71) Applicant: **Onward Multi-Corp Inc.**, Waterloo (CA)

(72) Inventors: **Theodore Andrew Witzel**, Kitchener (CA); **James Edward Scott**, Cambridge (CA); **Benjamin Michael Harrison**, Waterloo (CA)

(73) Assignee: **Onward Multi-Corp Inc.**, Waterloo, Ontario (CA)

(**) Term: **14 Years**

(21) Appl. No.: **29/449,604**

(22) Filed: **Mar. 15, 2013**

(51) **LOC (10) Cl.** **07-02**

(52) **U.S. Cl.**
USPC **D7/334**

(58) **Field of Classification Search**
USPC D7/332, 334-337, 402-406; 126/25 R, 126/25 A, 25 AA, 9 R, 38, 41 R, 40, 50, 276; 99/449

See application file for complete search history.

(56) **References Cited**

U.S. PATENT DOCUMENTS

4,210,118	A *	7/1980	Davis et al.	126/25 R
6,257,229	B1	7/2001	Stewart et al.	
6,422,230	B1 *	7/2002	Stewart et al.	126/25 R
D480,907	S *	10/2003	Pai	D7/334
D516,860	S *	3/2006	Nipke	D7/403
D636,628	S *	4/2011	Chung	D7/334
7,958,882	B1 *	6/2011	Sgourides	126/9 R
8,316,837	B2 *	11/2012	Malumyan	126/25 R

D680,365	S *	4/2013	Chung	D7/334
D680,366	S *	4/2013	Chung	D7/334
D687,667	S *	8/2013	Chien et al.	D7/334
2005/0252504	A1 *	11/2005	Cabrera et al.	126/50
2013/0074822	A1 *	3/2013	Chien et al.	126/25 R

OTHER PUBLICATIONS

All-Terrain Grill—Zippo Outdoor [online]. Published as early as Jul. 31, 2012 Retrieved from the Internet: <URL http://zippooutdoor.com/all-terrain-grill/>

Coleman Canada [online]. Published as early as Aug. 20, 2012. Retrieved from the Internet: <URL http://colemancanada.ca/Catalog/GRILLS.RoadTrip.en.products.>

* cited by examiner

Primary Examiner — Ruth McInroy

(74) Attorney, Agent, or Firm — Bereskin & Parr LLP/S.E.N.C.R.L., s.r.l.

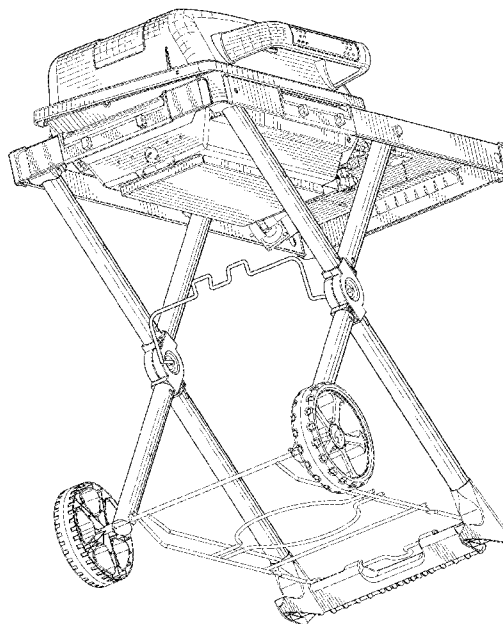
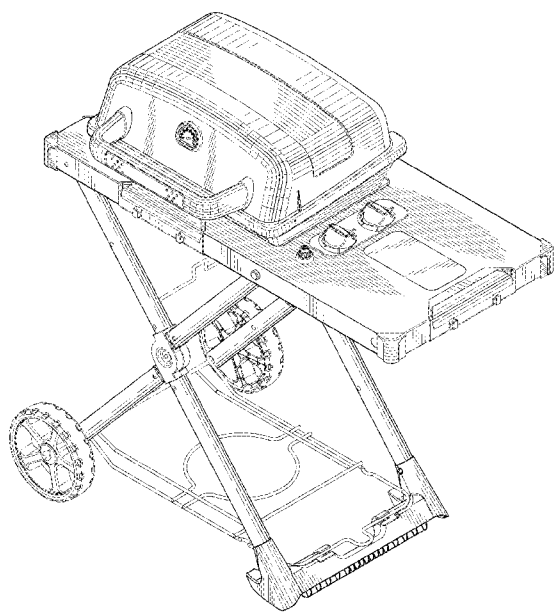
(57) **CLAIM**

The ornamental design for a foldable grill with offset legs, as shown and described.

DESCRIPTION

FIG. 1 is a top perspective view of the subject design; FIG. 2 is a bottom perspective view thereof; FIG. 3 is a back elevational view thereof; FIG. 4 is a front elevational view thereof; FIG. 5 is a top plan view thereof; FIG. 6 is a bottom plan view thereof; FIG. 7 is a left side view thereof; FIG. 8 is a right side view thereof; and, FIG. 9 is a top perspective view thereof showing a propane tank shown in dotted lines. The broken lines showing the propane tank in FIG. 9 are included for the purpose of illustrating environment and form no part of the claimed design.

1 Claim, 8 Drawing Sheets



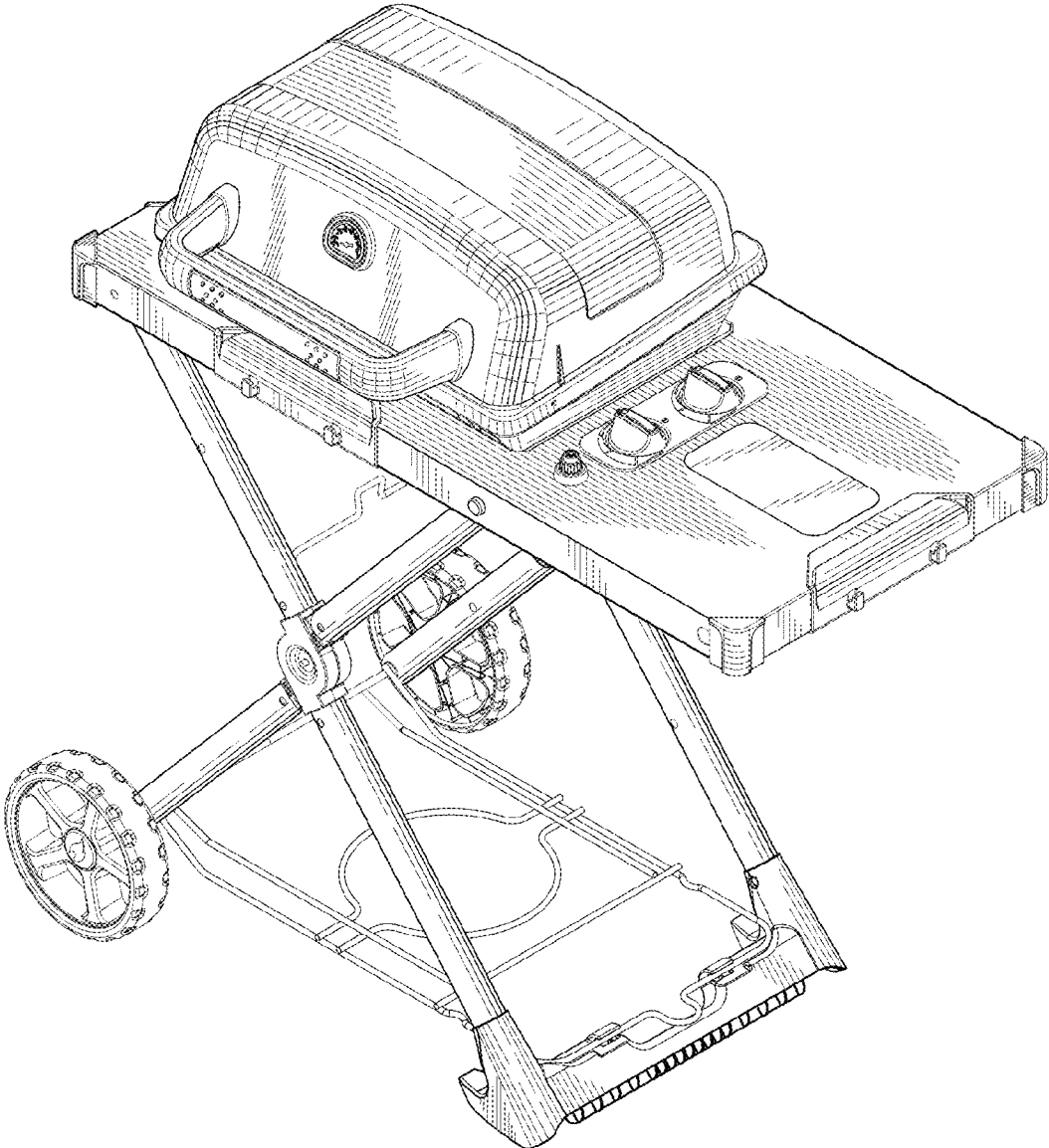


FIG.1

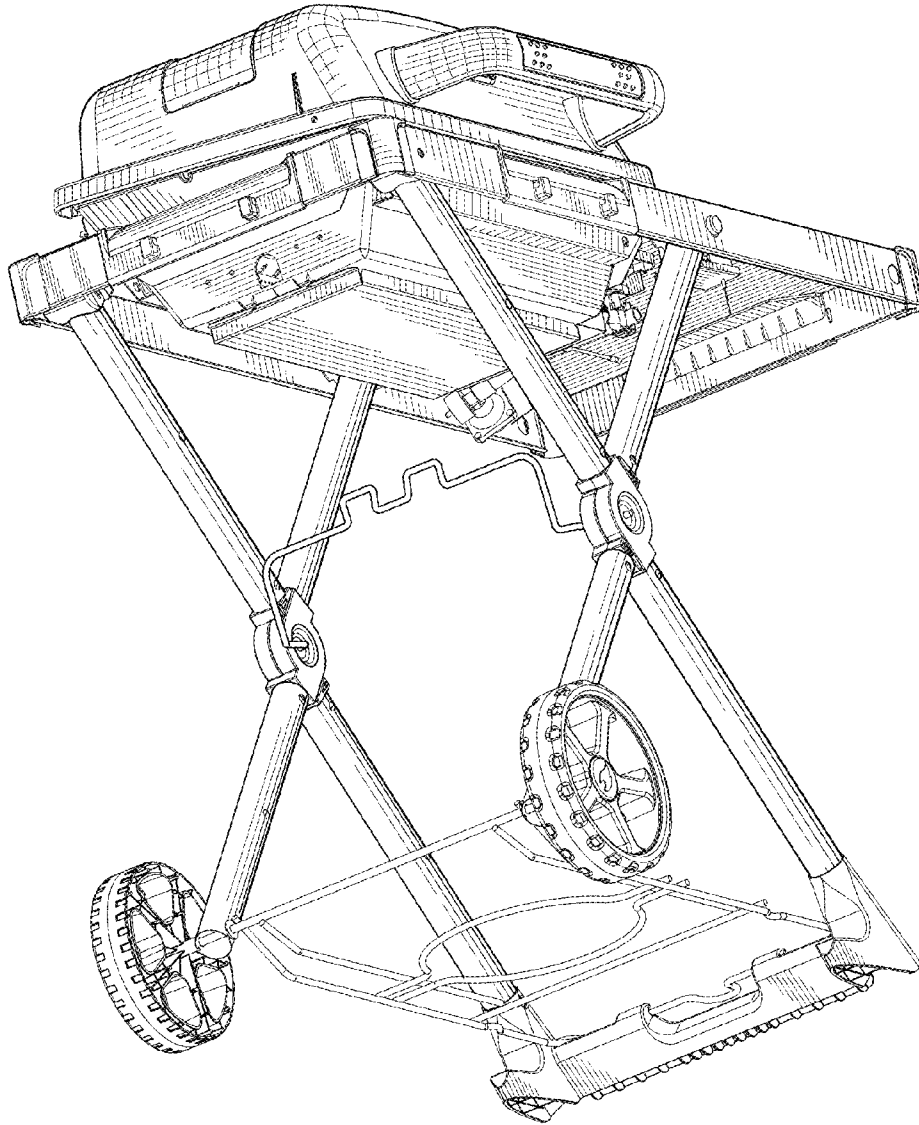


FIG.2

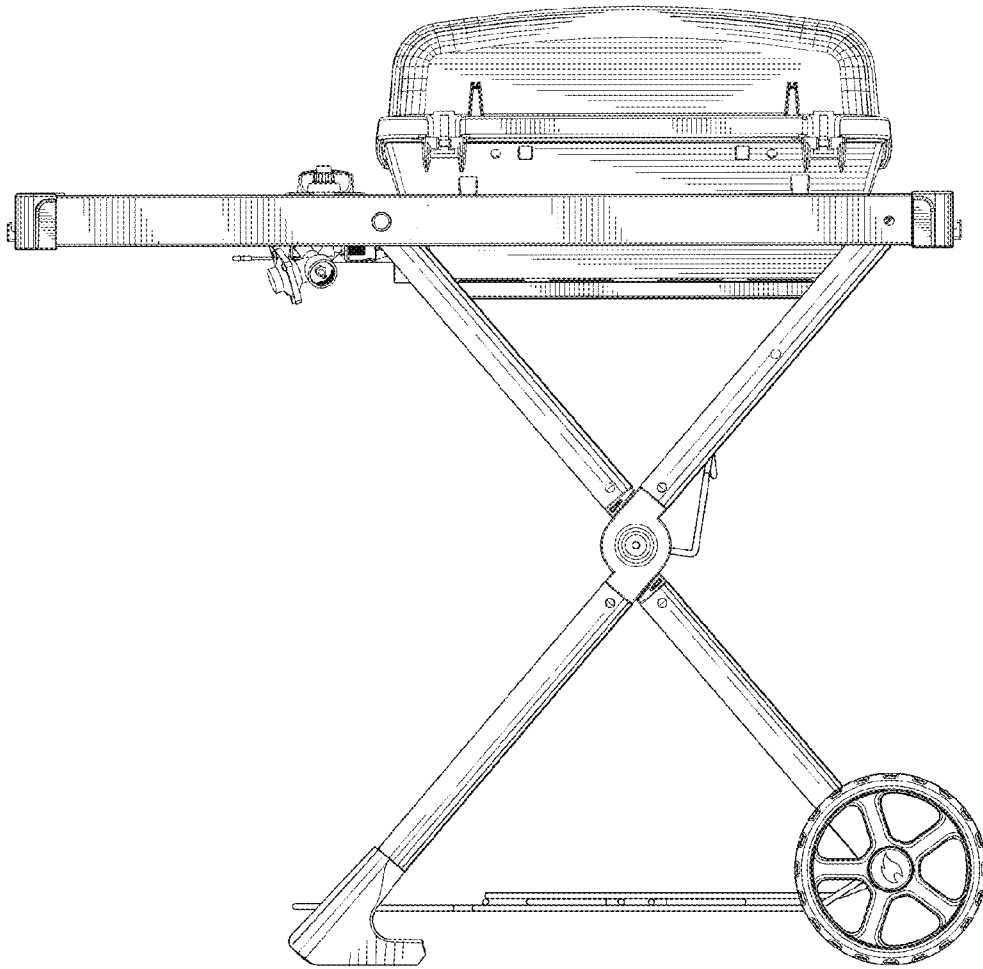


FIG.3

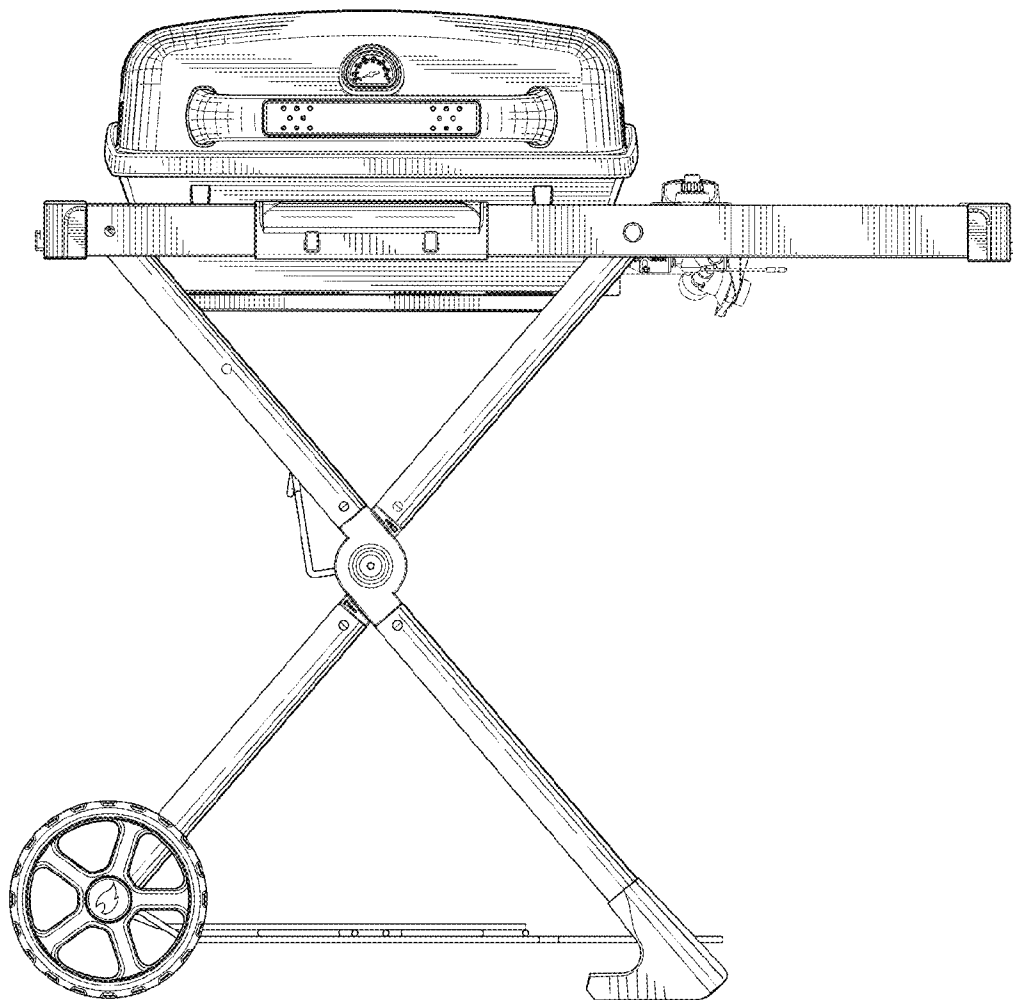


FIG.4

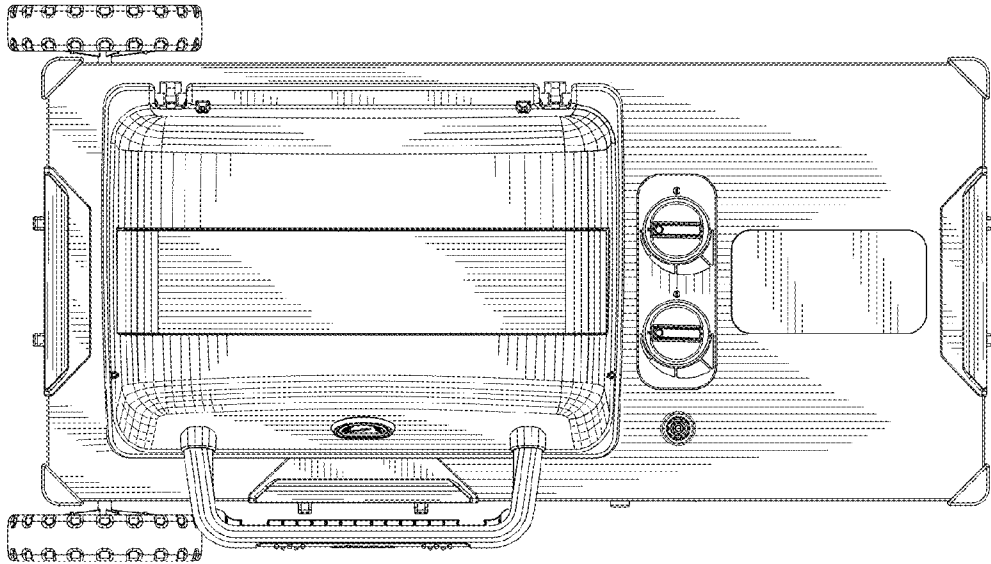


FIG. 5

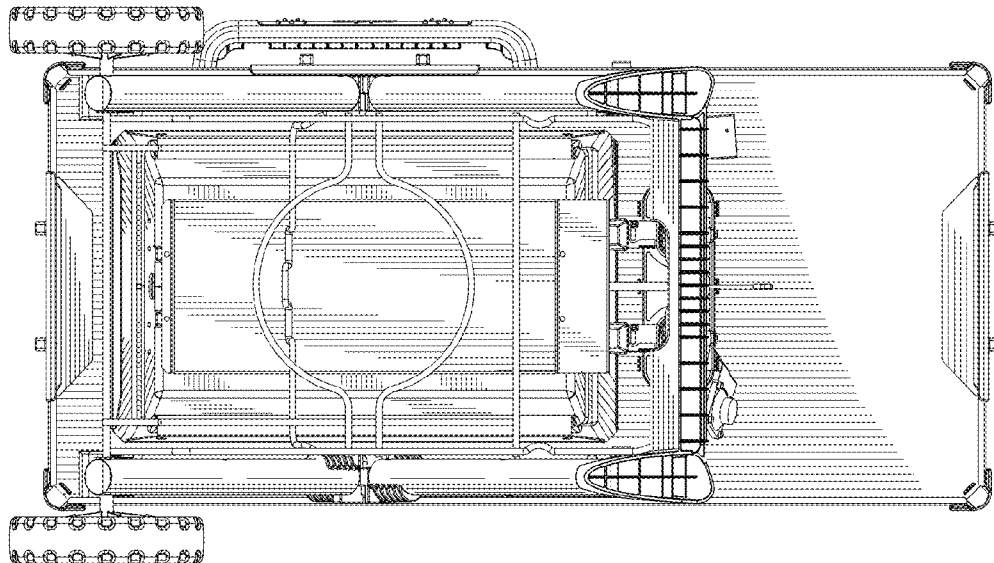


FIG. 6

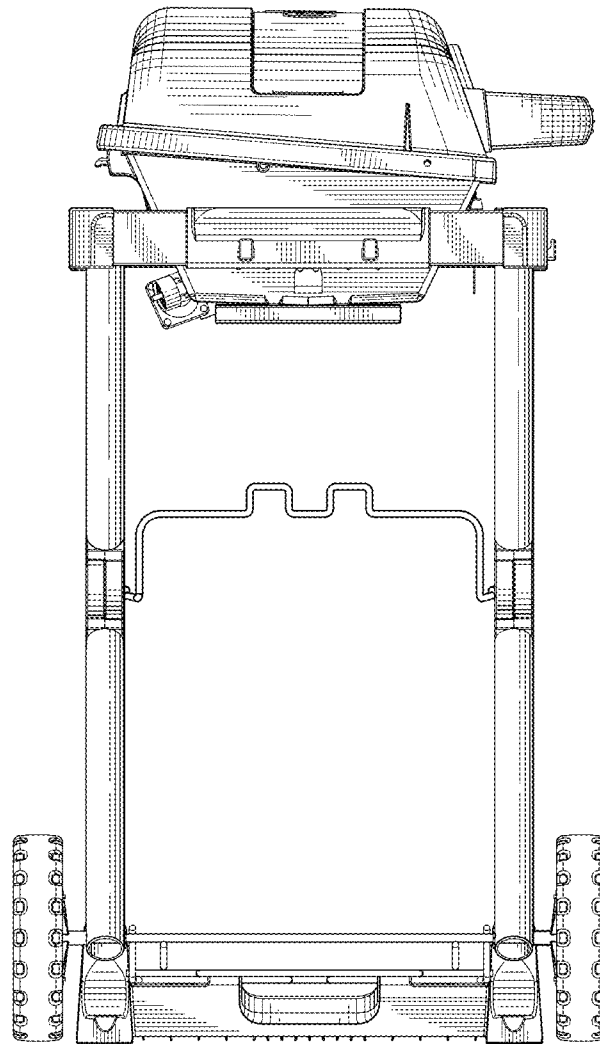


FIG.7

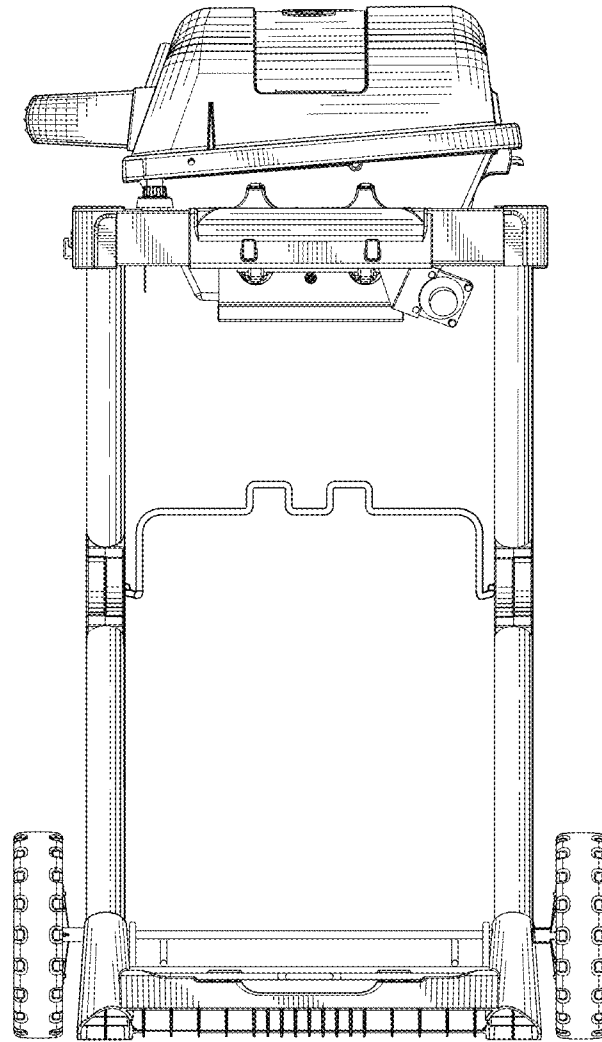


FIG.8

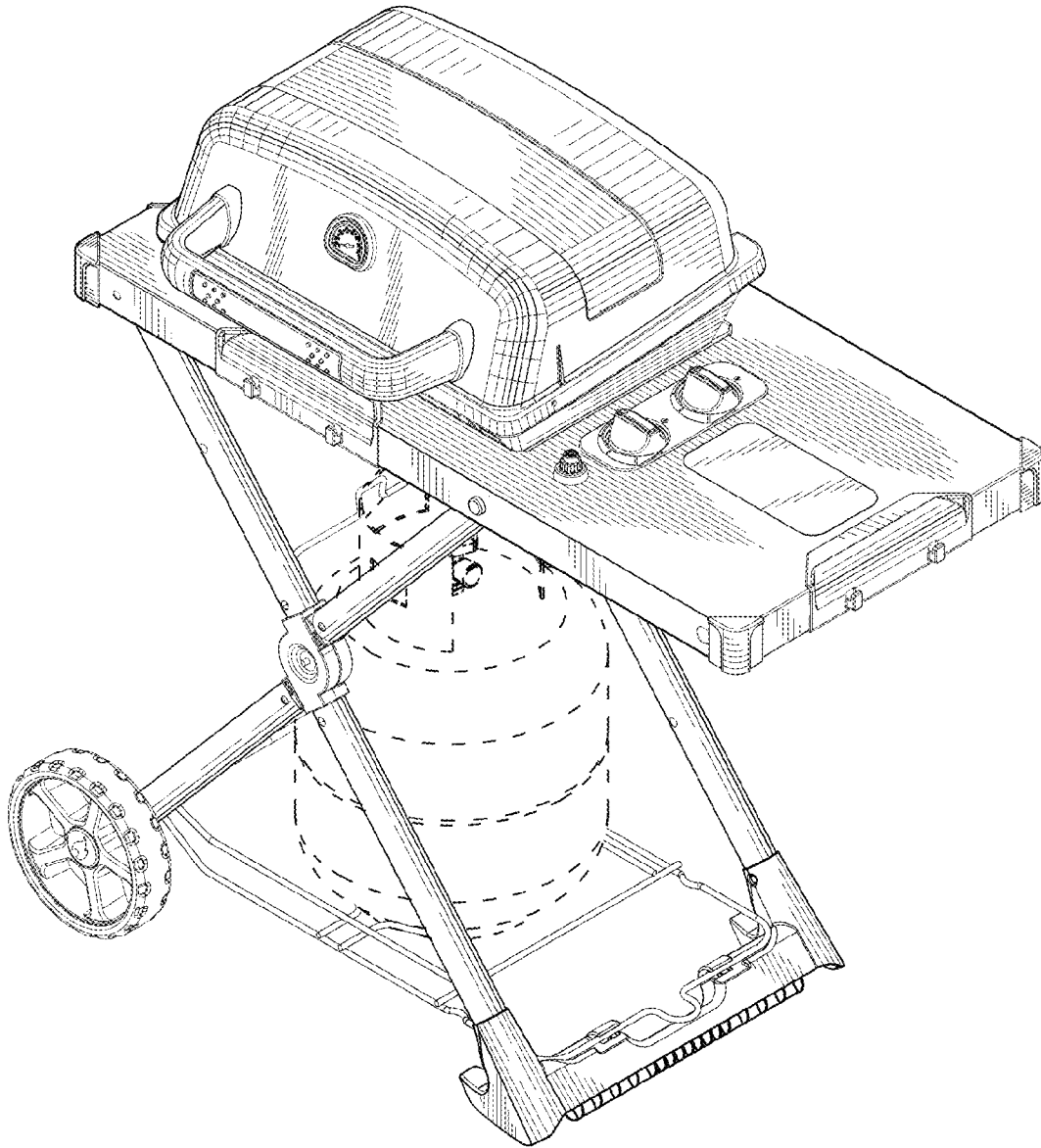


FIG.9