



US00D737650S

(12) **United States Design Patent**
Allen et al.

(10) **Patent No.:** **US D737,650 S**

(45) **Date of Patent:** **** Sep. 1, 2015**

(54) **UTILITY BAR**

(71) Applicant: **Milwaukee Electric Tool Corporation,**
Brookfield, WI (US)

(72) Inventors: **Joel Allen,** Winton, CA (US); **Mark R. Martinez,** Atwater, CA (US); **Timothy Albrecht,** Menomonee Falls, WI (US)

(73) Assignee: **Milwaukee Electric Tool Corporation,**
Brookfield, WI (US)

(**) Term: **14 Years**

(21) Appl. No.: **29/477,978**

(22) Filed: **Dec. 30, 2013**

Related U.S. Application Data

(63) Continuation of application No. 13/683,956, filed on Nov. 21, 2012, now Pat. No. 8,646,138, which is a continuation of application No. 12/614,071, filed on Nov. 6, 2009, now Pat. No. 8,365,332.

(51) **LOC (10) Cl.** **08-05**

(52) **U.S. Cl.**
USPC **D8/105**

(58) **Field of Classification Search**
USPC D7/693; D8/14, 16, 27, 88, 89, 105;
D32/46; 7/166; 254/25

See application file for complete search history.

(56) **References Cited**

U.S. PATENT DOCUMENTS

888,841 A	5/1908	Naudain
2,382,831 A	8/1945	Tabellione
2,863,635 A	12/1958	Fandrich
D226,057 S	1/1973	Grindlinger
4,745,651 A	5/1988	Schellenger

4,831,901 A	5/1989	Kinne
4,944,203 A	7/1990	Miller
D324,474 S	3/1992	Killins
5,315,724 A	5/1994	Trujillo et al.
5,526,719 A	6/1996	Chen
5,695,172 A	12/1997	Hreha
D390,082 S	2/1998	Higgs
5,749,113 A	5/1998	Witter
5,957,429 A	9/1999	Khachatoorian
5,979,058 A	11/1999	Henke

(Continued)

OTHER PUBLICATIONS

<http://www.amazon.com/Stiletto-FB5-Titanium-Multifunctional-Flatbar/dp/B002EJ5AZA> Available beginning Jun. 24, 2009.*

(Continued)

Primary Examiner — Susan Bennett Hattan

Assistant Examiner — Leanne Was

(74) *Attorney, Agent, or Firm* — Michael Best & Friedrich LLP

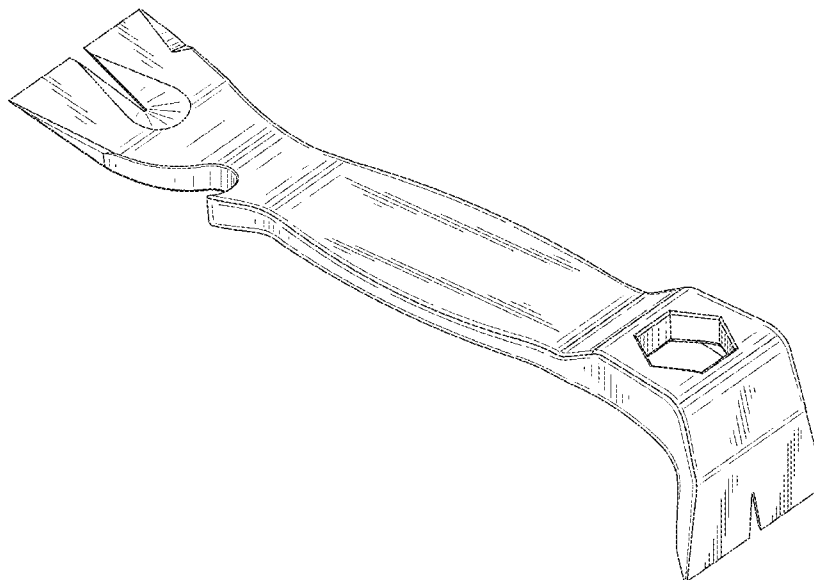
(57) **CLAIM**

We claim the ornamental design for a utility bar, as shown and described.

DESCRIPTION

FIG. 1 is a perspective view of a utility bar.
FIG. 2 is a left side view of the utility bar shown in FIG. 1.
FIG. 3 is a right side view of the utility bar shown in FIG. 1.
FIG. 4 is a front view of the utility bar shown in FIG. 1.
FIG. 5 is a rear view of the utility bar shown in FIG. 1.
FIG. 6 is a top view of the utility bar shown in FIG. 1; and,
FIG. 7 is a bottom view of the utility bar shown in FIG. 1.
Any showing of the environment by broken lines having equal length segments depicts environmental subject matter only and forms no part of the claimed design.

1 Claim, 4 Drawing Sheets



(56)

References Cited

U.S. PATENT DOCUMENTS

6,016,722 A 1/2000 Gierer et al.
 D440,854 S 4/2001 Killins
 D442,456 S 5/2001 Killins
 D444,690 S * 7/2001 Bond D8/89
 6,257,553 B1 7/2001 Khachatoorian
 6,397,420 B1 6/2002 Roxton
 6,421,860 B1 7/2002 Abbott
 6,427,274 B1 8/2002 Abbott
 6,497,399 B1 12/2002 Nelson
 6,536,308 B1 3/2003 Thorne et al.
 6,604,728 B1 8/2003 Boydon
 6,604,729 B2 8/2003 Fagan
 6,629,684 B2 10/2003 Youngren et al.
 6,655,236 B1 12/2003 Slack et al.
 6,678,909 B1 1/2004 Pyatt
 D506,118 S * 6/2005 Rau et al. D8/89
 D507,167 S 7/2005 Richardson
 6,913,246 B1 7/2005 Skach
 6,923,432 B1 8/2005 Martinez
 6,988,711 B2 1/2006 Skach
 7,051,390 B2 5/2006 van Beek
 D525,506 S 7/2006 Downing, Jr.
 7,096,761 B2 8/2006 Schoor
 7,334,502 B1 2/2008 Durkee
 7,350,440 B2 4/2008 Casolco
 7,438,279 B2 10/2008 Eby et al.
 7,503,545 B2 3/2009 Verbowski
 D627,617 S * 11/2010 Chambers D8/89

8,365,332 B2 * 2/2013 Allen et al. 7/166
 8,567,760 B2 * 10/2013 Sindt 254/25
 8,646,138 B2 2/2014 Allen et al.
 D702,101 S * 4/2014 Vanderbeek D8/89
 D713,698 S * 9/2014 Maier et al. D8/27
 2002/0092386 A1 7/2002 Lin
 2004/0261188 A1 12/2004 Marthis
 2005/0062026 A1 3/2005 Holcomb
 2005/0172415 A1 8/2005 Beek
 2005/0229322 A1 10/2005 Chiu et al.
 2006/0026800 A1 2/2006 Lawless
 2006/0075572 A1 4/2006 Young
 2007/0119279 A1 5/2007 Fisher et al.
 2007/0226913 A1 10/2007 Woolley et al.
 2008/0178393 A1 7/2008 Kinskey et al.
 2008/0217592 A1 * 9/2008 Chambers 254/25
 2008/0251773 A1 10/2008 Smeeton et al.
 2009/0000039 A1 1/2009 St. John et al.
 2009/0230369 A1 9/2009 Kurtz
 2010/0115705 A1 * 5/2010 Allen et al. 7/166
 2013/0263382 A1 * 10/2013 Sindt et al. 7/166

OTHER PUBLICATIONS

<http://web.archive.org/web/20100329045048/http://www.acetoolonline.com/Stiletto-FB5-Titanium-Pry-Bar-p/sti-fb5.htm>
 Available as early as Mar. 29, 2010.*
 United States Patent Office Action for U.S. Appl. No. 12/614,071 dated Mar. 13, 2012 (6 pages).

* cited by examiner

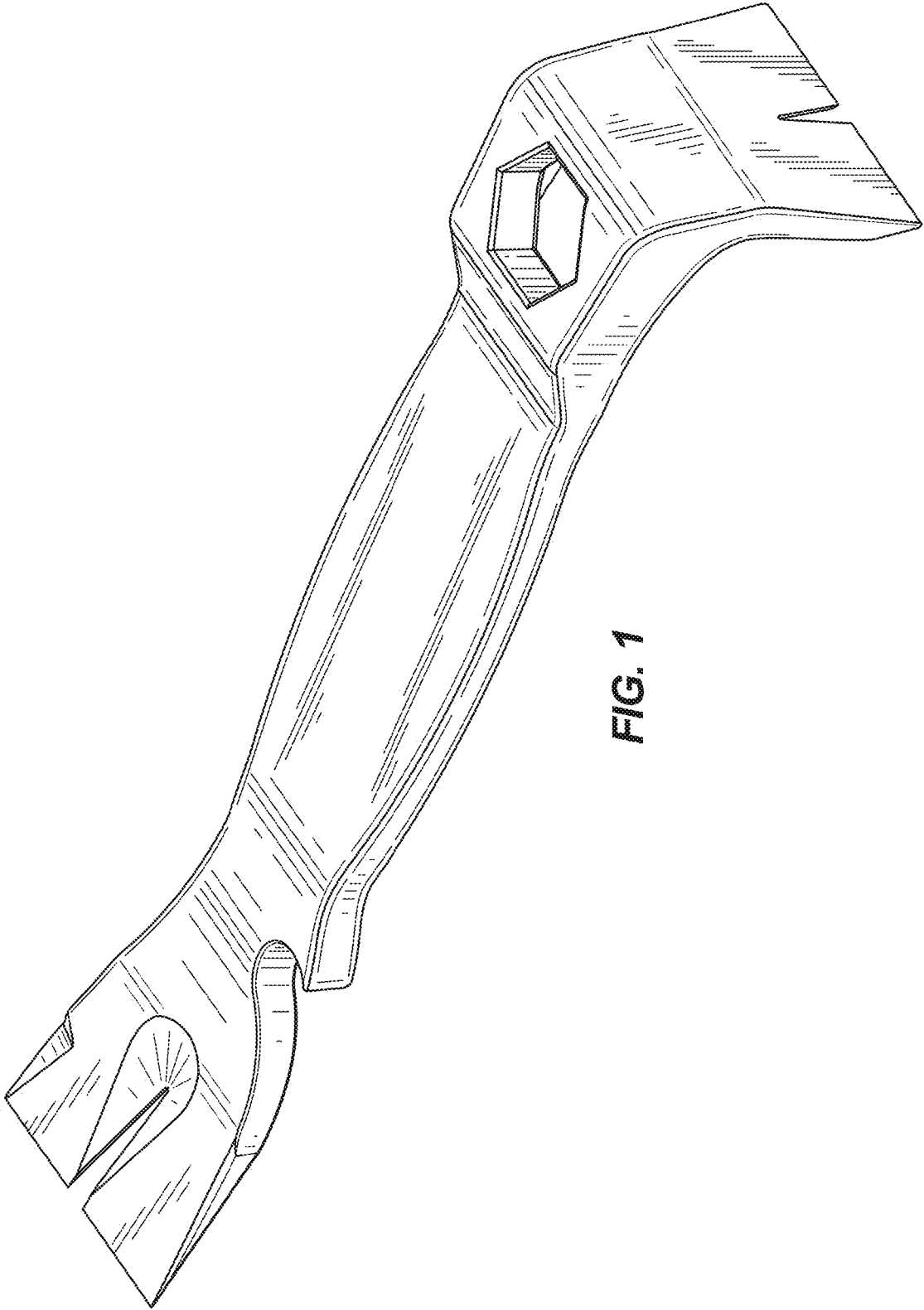


FIG. 1

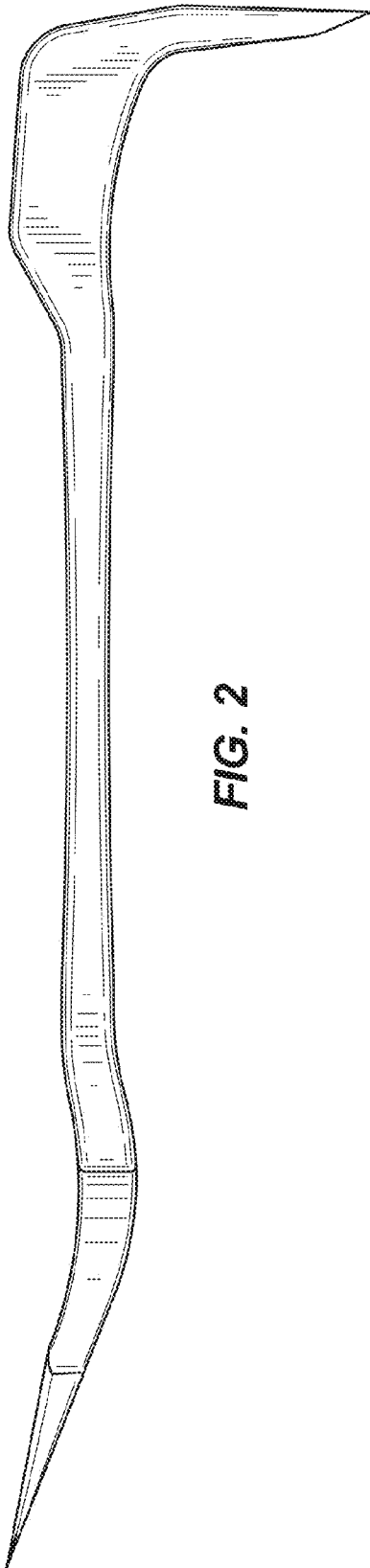


FIG. 2

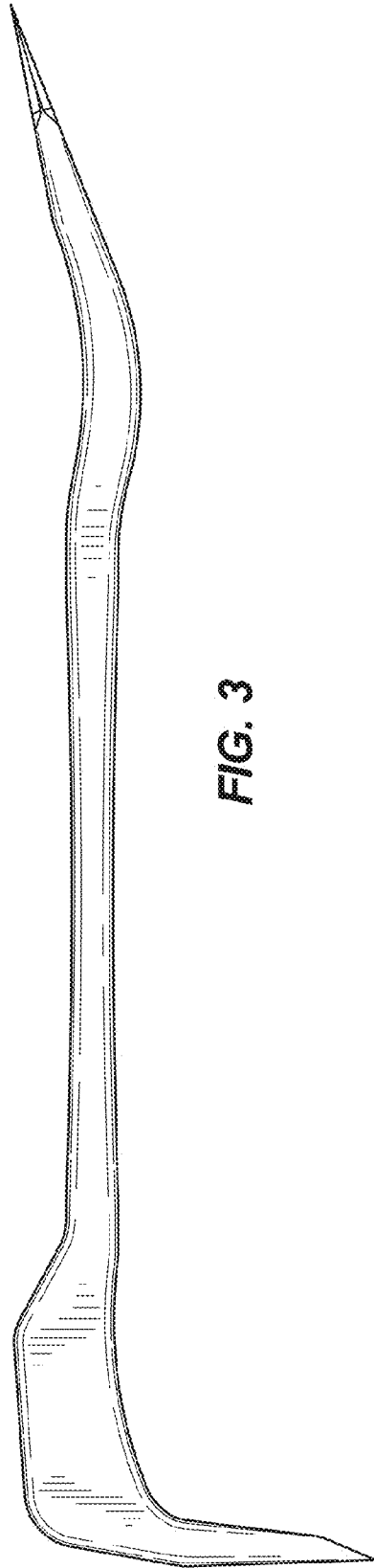


FIG. 3

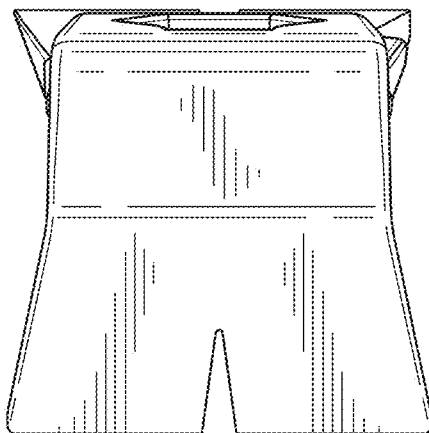


FIG. 4

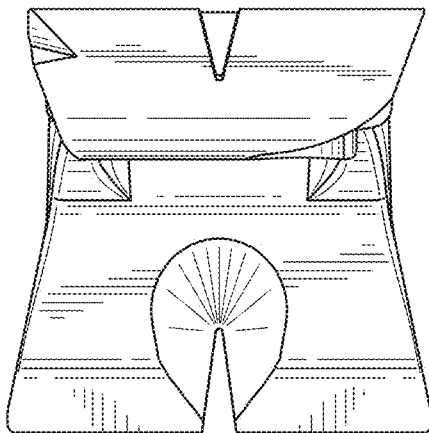


FIG. 5

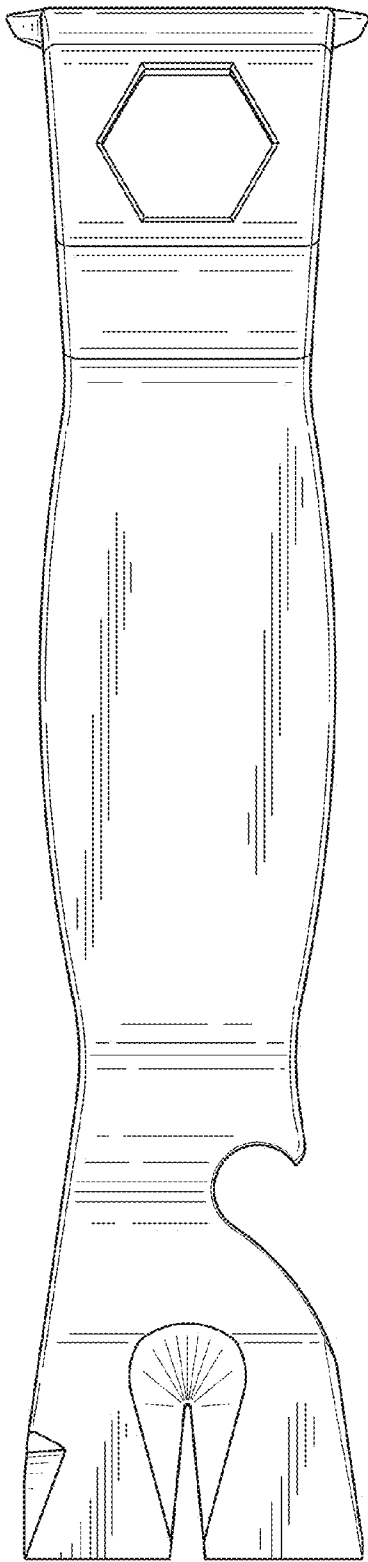


FIG. 6

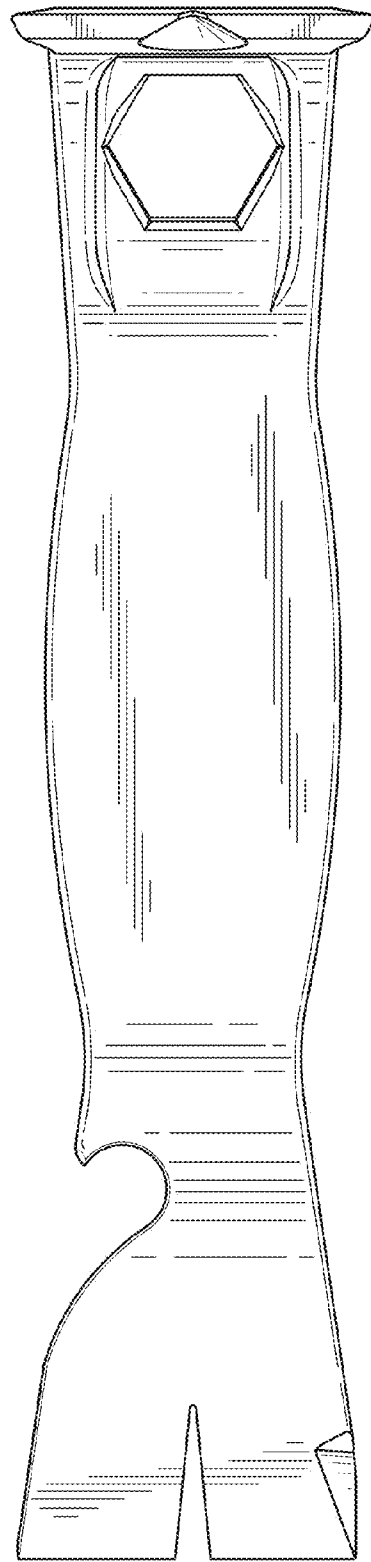


FIG. 7