



US00D408771S

**United States Patent** [19]  
**Johnston**

[11] **Patent Number: Des. 408,771**  
[45] **Date of Patent: \*\* Apr. 27, 1999**

[54] **BUG DEFLECTOR**

[76] Inventor: **Hugh W. Johnston**, 1201 Salvadore Ct., Gastonia, N.C. 28052

[\*\*] Term: **14 Years**

[21] Appl. No.: **29/088,059**

[22] Filed: **May 14, 1998**

[51] **LOC (6) Cl.** ..... **12-16**

[52] **U.S. Cl.** ..... **D12/181**

[58] **Field of Search** ..... D12/181, 190, D12/197, 400; 40/413; 108/99, 101; 180/69.25; 211/187; 239/498, 500; 296/91, 180.1, 180.2; 428/31

[56] **References Cited**

**U.S. PATENT DOCUMENTS**

D. 216,965	3/1970	Snyder	.....	D12/197
1,964,124	6/1934	Keller	.....	108/96
2,314,754	3/1943	Baird	.....	239/500
2,433,748	12/1947	Eide	.....	211/187
2,515,604	7/1950	Kish	.....	296/91
2,601,401	6/1952	Kish	.....	296/91
2,754,147	7/1956	Dell	.....	296/91

2,757,954	8/1956	Hurley	.....	296/180.1
2,816,796	12/1957	Saucerman	.....	296/91
2,833,072	5/1958	Gregory	.....	428/31
4,547,013	10/1985	McDaniel	.....	296/180.1

*Primary Examiner*—Robert M. Spear  
*Attorney, Agent, or Firm*—Adams Law Firm, P.A.

[57] **CLAIM**

I claim the ornamental design for a bug deflector, as shown and described.

**DESCRIPTION**

FIG. 1 is a top side perspective view of a bug deflector showing my new design, the broken line showing of a vehicle being for illustrative purposes only and forming no part of the claimed design;

FIG. 2 is an enlarged perspective view thereof;

FIG. 3 is a front elevational view thereof;

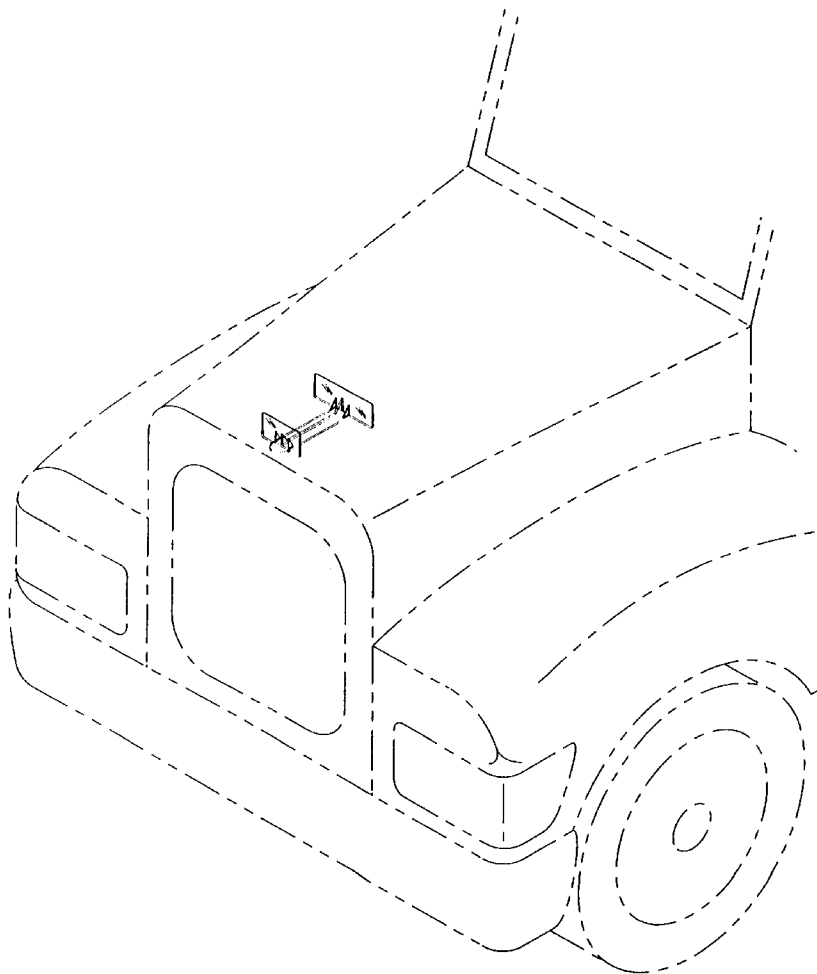
FIG. 4 is a rear elevational view thereof;

FIG. 5 is a side elevational view, the opposite side being a mirror image thereof;

FIG. 6 is a top plan view thereof; and,

FIG. 7 is a bottom plan view thereof.

**1 Claim, 6 Drawing Sheets**



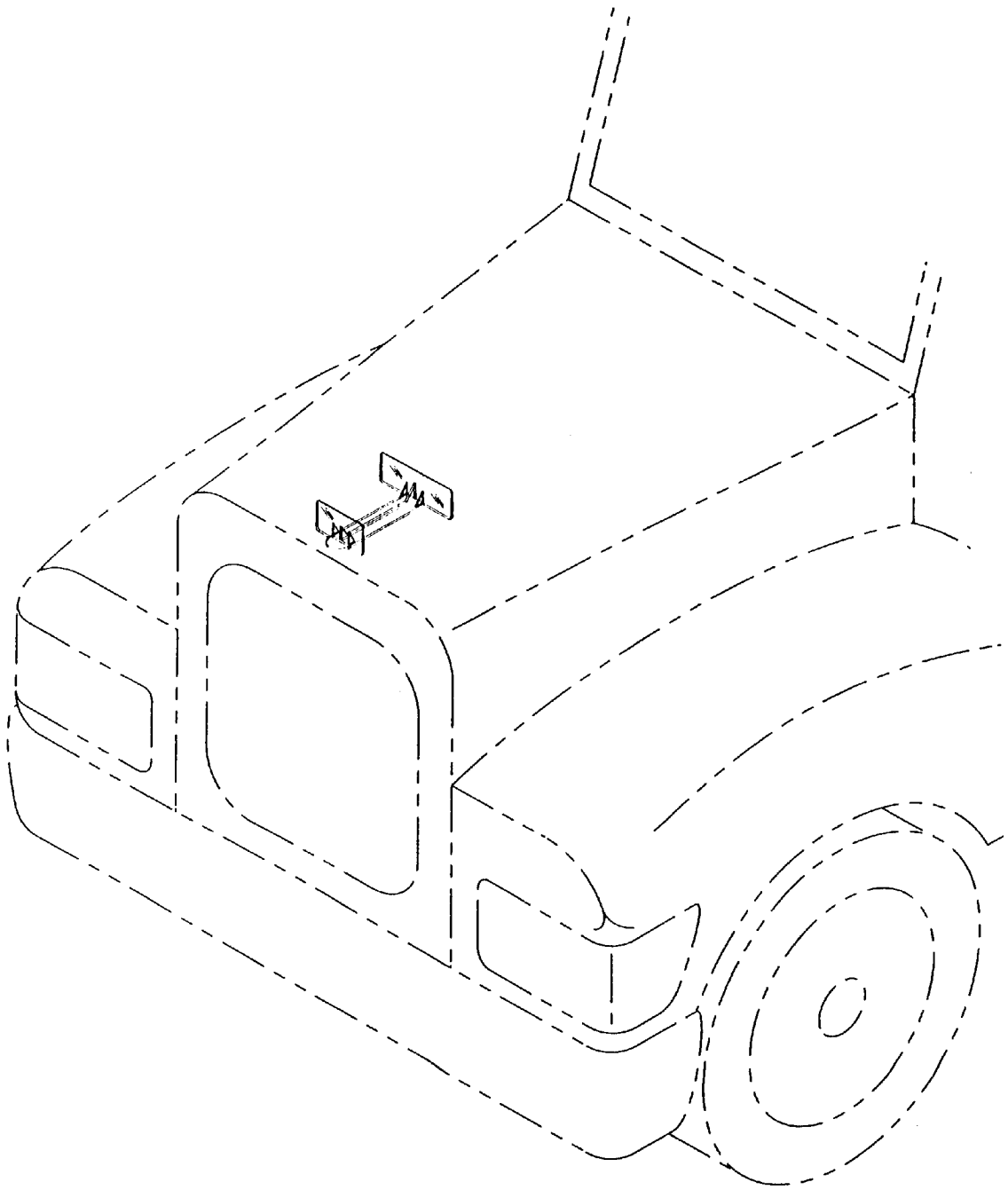


Fig. 1

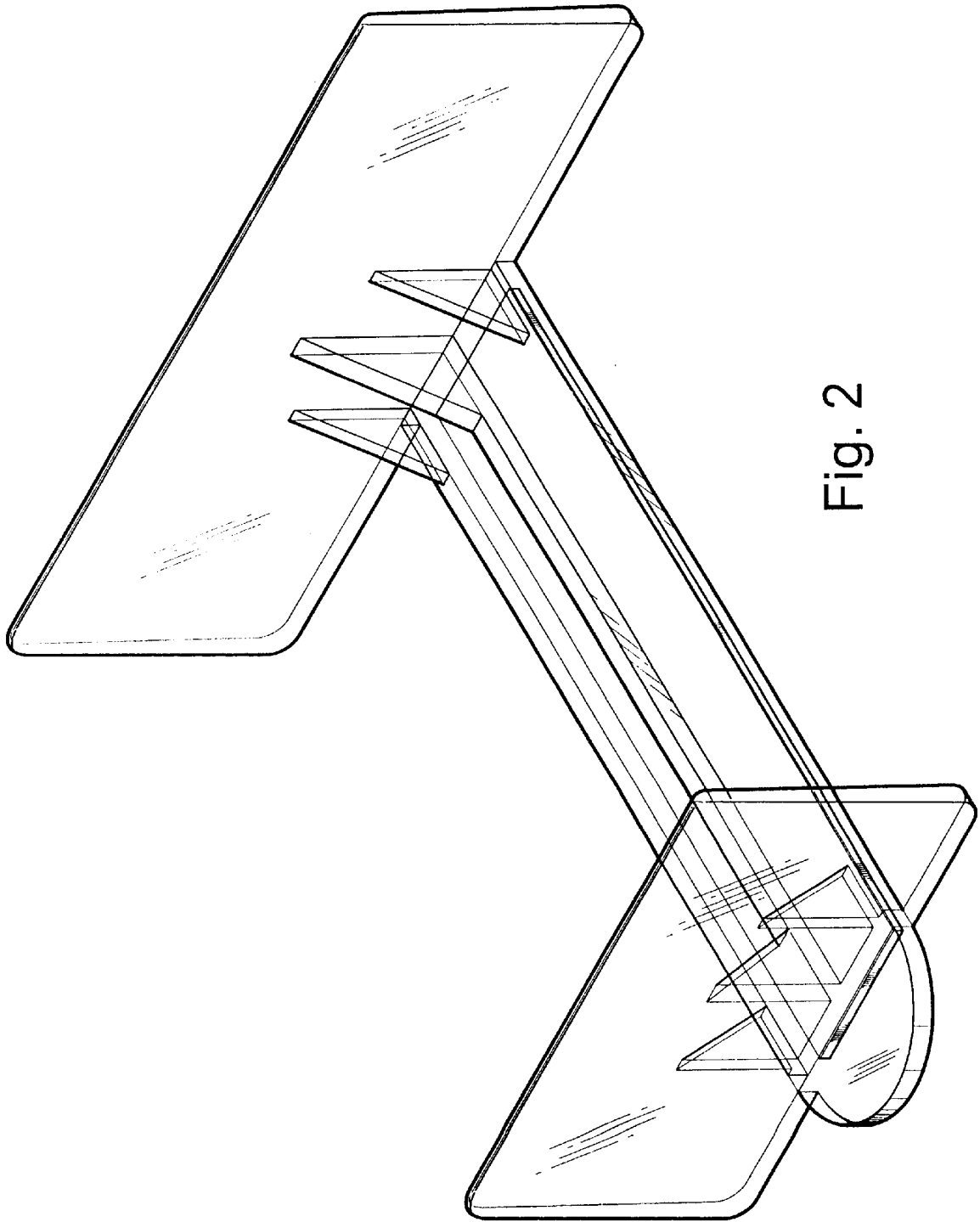


Fig. 2

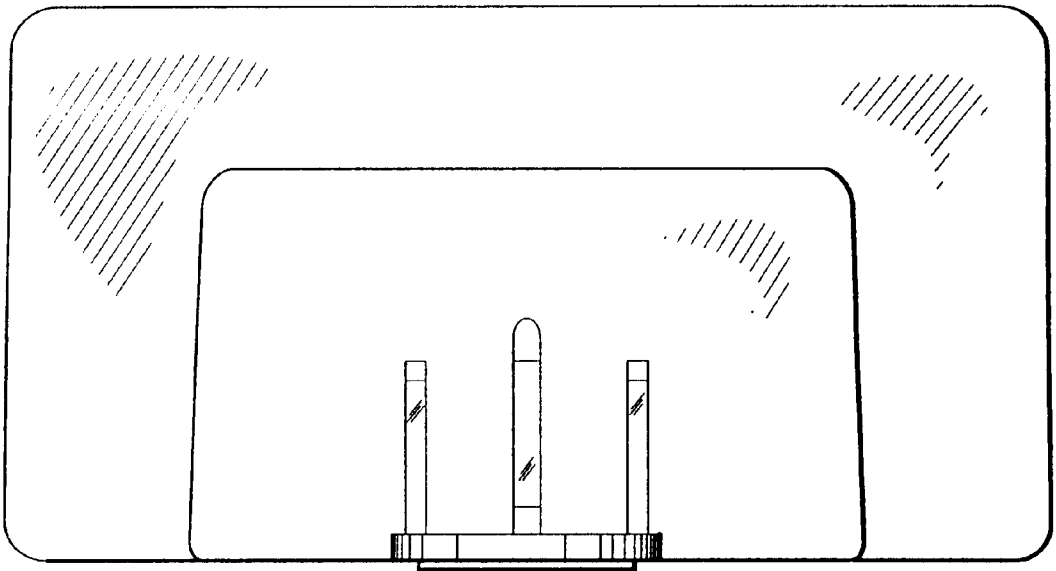


Fig. 3

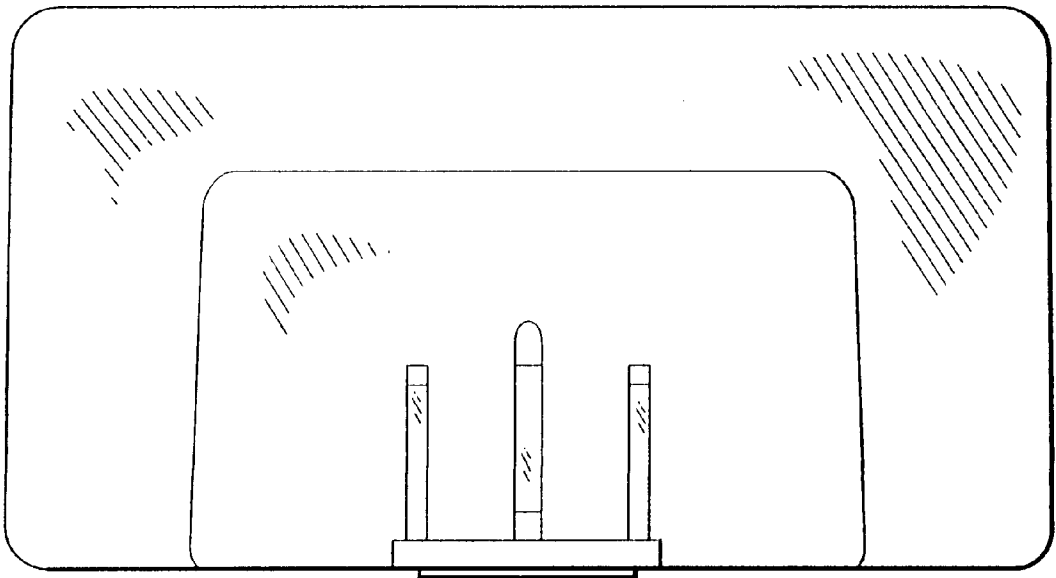


Fig. 4

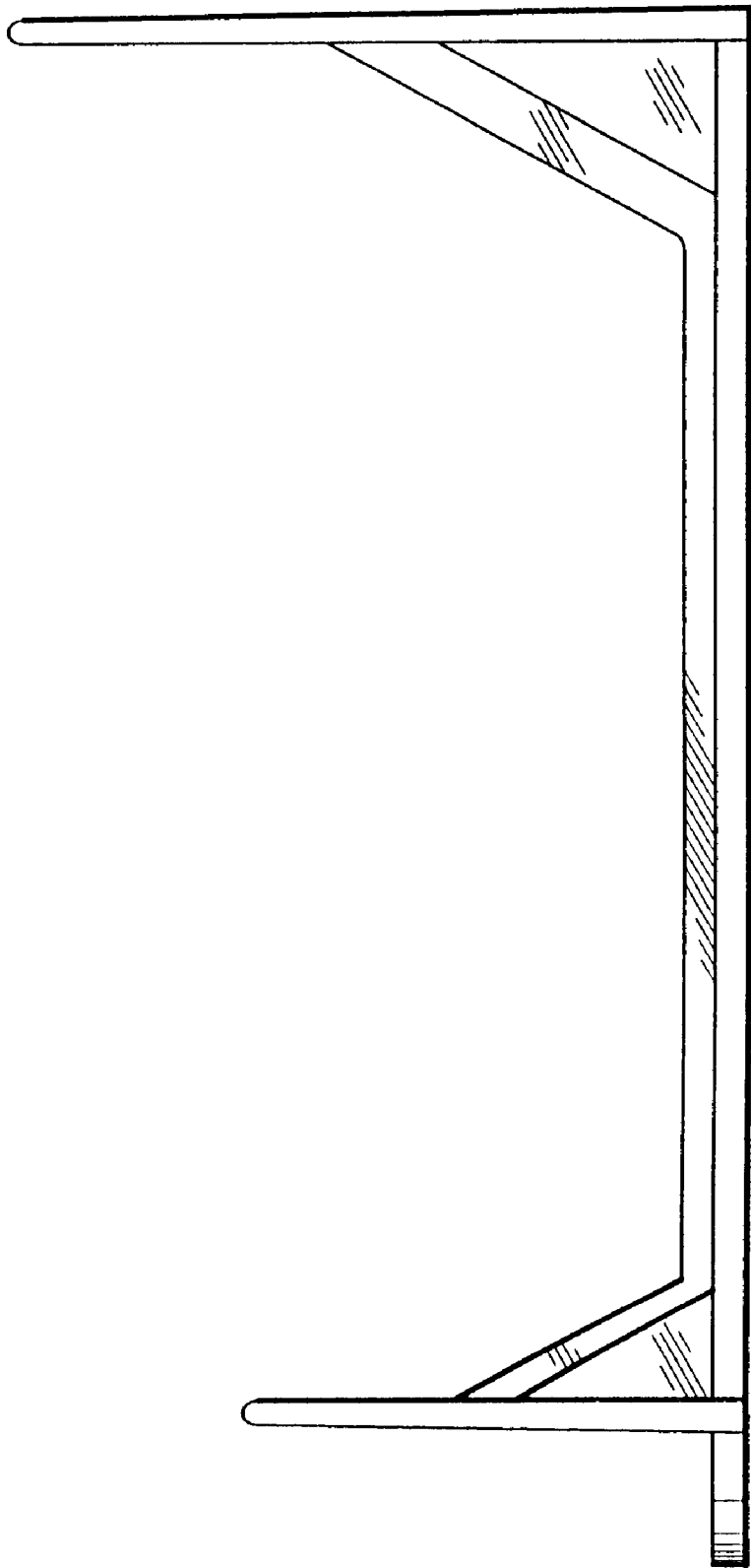


Fig. 5

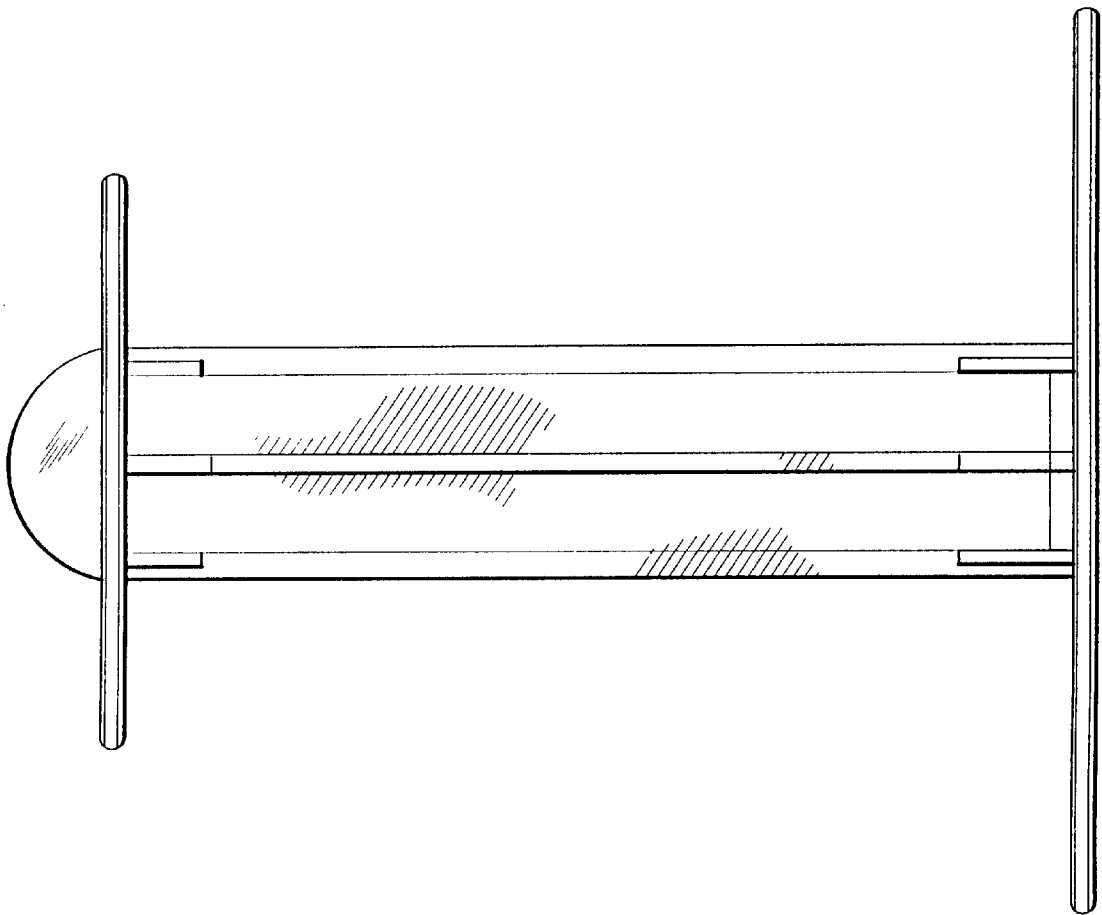


Fig. 6

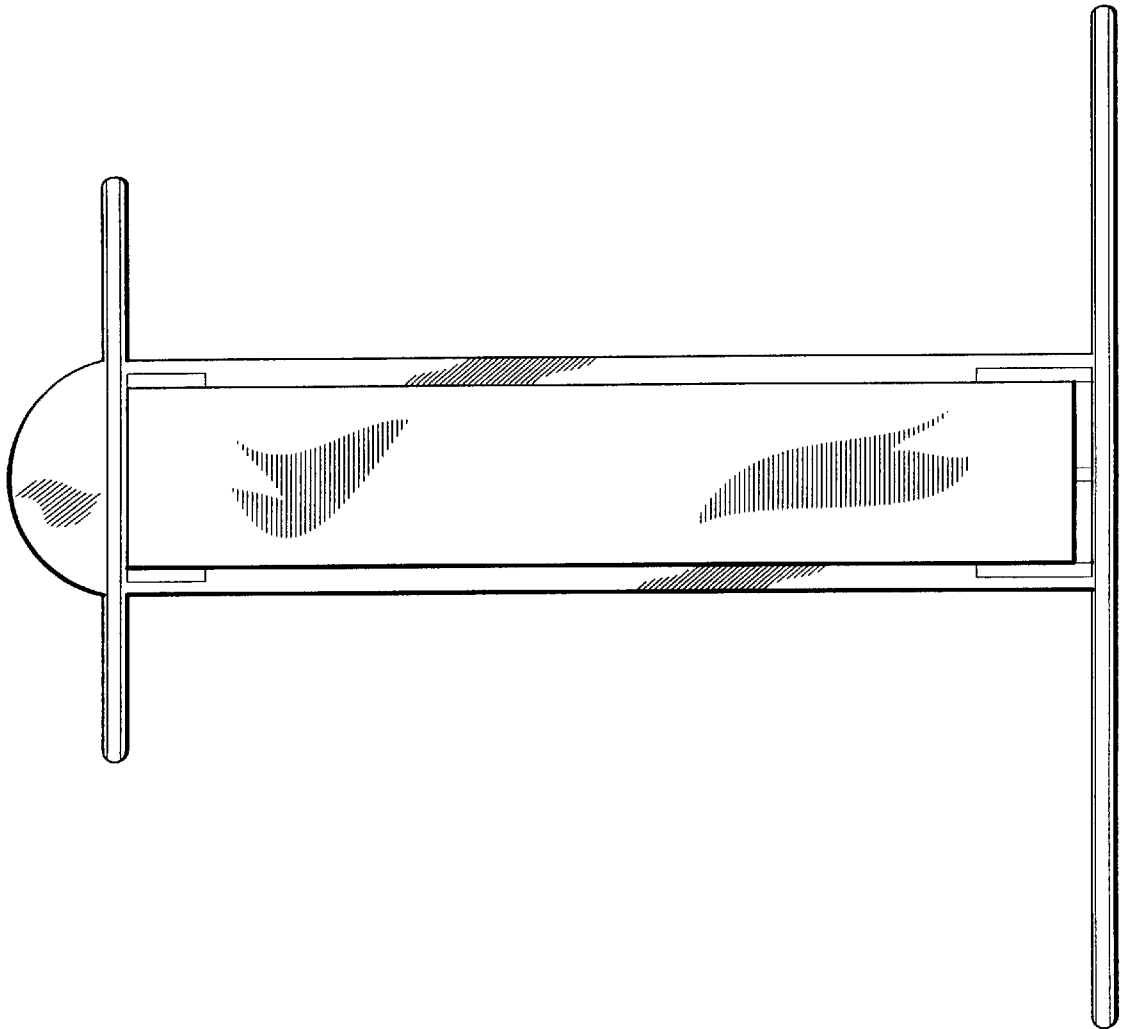


Fig. 7