

(19) World Intellectual Property Organization
International Bureau



(43) International Publication Date
10 November 2011 (10.11.2011)

(10) International Publication Number
WO 2011/140167 A3

(51) International Patent Classification:
A61F 2/16 (2006.01)

(21) International Application Number:
PCT/US2011/035096

(22) International Filing Date:
4 May 2011 (04.05.2011)

(25) Filing Language: English

(26) Publication Language: English

(30) Priority Data:
12/773,653 4 May 2010 (04.05.2010) US

(71) Applicant (for all designated States except US): **ABBOTT MEDICAL OPTICS INC.** [US/US]; 1700 E. St. Andrew Place, Santa Ana, CA 92705 (US).

(72) Inventor; and

(75) Inventor/Applicant (for US only): **HELMY, Ahmed** [US/US]; 17312 Chatsworth St. # H, Granada Hills, CA 91344 (US).

(74) Agent: **KIM, Roy**; Abbott Medical Optics Inc., 1700 E. St. Andrew Place, Santa Ana, CA 92705 (US).

(81) Designated States (unless otherwise indicated, for every kind of national protection available): AE, AG, AL, AM, AO, AT, AU, AZ, BA, BB, BG, BH, BR, BW, BY, BZ,

CA, CH, CL, CN, CO, CR, CU, CZ, DE, DK, DM, DO, DZ, EC, EE, EG, ES, FI, GB, GD, GE, GH, GM, GT, HN, HR, HU, ID, IL, IN, IS, JP, KE, KG, KM, KN, KP, KR, KZ, LA, LC, LK, LR, LS, LT, LU, LY, MA, MD, ME, MG, MK, MN, MW, MX, MY, MZ, NA, NG, NI, NO, NZ, OM, PE, PG, PH, PL, PT, RO, RS, RU, SC, SD, SE, SG, SK, SL, SM, ST, SV, SY, TH, TJ, TM, TN, TR, TT, TZ, UA, UG, US, UZ, VC, VN, ZA, ZM, ZW.

(84) Designated States (unless otherwise indicated, for every kind of regional protection available): ARIPO (BW, GH, GM, KE, LR, LS, MW, MZ, NA, SD, SL, SZ, TZ, UG, ZM, ZW), Eurasian (AM, AZ, BY, KG, KZ, MD, RU, TJ, TM), European (AL, AT, BE, BG, CH, CY, CZ, DE, DK, EE, ES, FI, FR, GB, GR, HR, HU, IE, IS, IT, LT, LU, LV, MC, MK, MT, NL, NO, PL, PT, RO, RS, SE, SI, SK, SM, TR), OAPI (BF, BJ, CF, CG, CI, CM, GA, GN, GQ, GW, ML, MR, NE, SN, TD, TG).

Published:

- with international search report (Art. 21(3))
- before the expiration of the time limit for amending the claims and to be republished in the event of receipt of amendments (Rule 48.2(h))

(88) Date of publication of the international search report:
5 January 2012

(54) Title: IOL INSERTION SYSTEM WITH SEMI-AUTOMATIC TRAILING HAPTIC CONFIGURATION MANAGEMENT

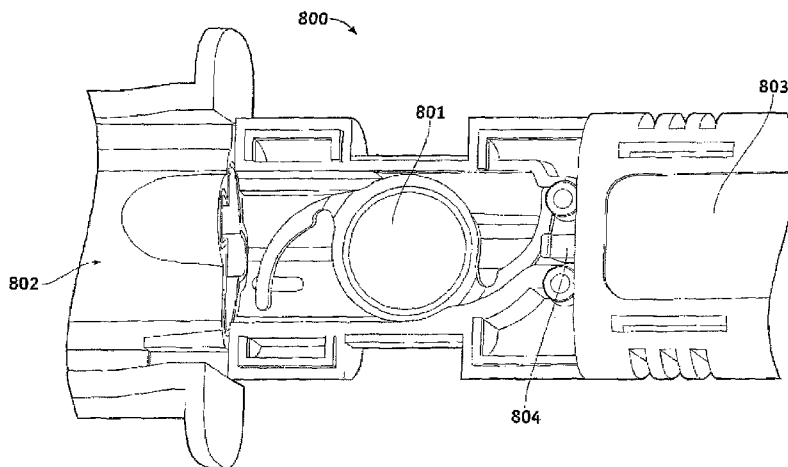


FIG. 9

(57) Abstract: A system and method for performing an ocular surgical procedure is provided. The system is configured to provide an IOL having a trailing haptic to an eye and includes a pair of interlockable telescoping elements, having generally an inner and outer component configured to hold the IOL and be brought together into a locking position, the locking position maintaining the trailing haptic in an advantageously altered orientation. The system also includes a plunger configured to receive force and transmit the force to the IOL and the trailing haptic in the advantageously altered orientation.

WO 2011/140167 A3

INTERNATIONAL SEARCH REPORT

International application No PCT/US2011/035096

A. CLASSIFICATION OF SUBJECT MATTER INV. A61F2/16 ADD.		
According to International Patent Classification (IPC) or to both national classification and IPC		
B. FIELDS SEARCHED		
Minimum documentation searched (classification system followed by classification symbols) A61F		
Documentation searched other than minimum documentation to the extent that such documents are included in the fields searched		
Electronic data base consulted during the international search (name of data base and, where practical, search terms used) EPO-Internal		
C. DOCUMENTS CONSIDERED TO BE RELEVANT		
Category*	Citation of document, with indication, where appropriate, of the relevant passages	Relevant to claim No.
X	US 2008/058830 A1 (COLE MARK S [US] ET AL) 6 March 2008 (2008-03-06)	8, 15
Y	paragraph [0072] - paragraph [0190]; claims; figures -----	9-14, 16-25
X	US 2009/318933 A1 (ANDERSON STEVEN R [US]) 24 December 2009 (2009-12-24)	1, 15
Y	paragraph [0028] - paragraph [0049]; claims; figures -----	9-14, 16-25
X	US 2004/116937 A1 (PORTNEY VALDEMAR [US]) 17 June 2004 (2004-06-17)	8, 15
Y	the whole document -----	9-14, 16-25
Y	US 5 772 666 A (FEINGOLD VLADIMIR [US] ET AL) 30 June 1998 (1998-06-30) the whole document -----	8-25
-/--		
<input checked="" type="checkbox"/> Further documents are listed in the continuation of Box C. <input checked="" type="checkbox"/> See patent family annex.		
* Special categories of cited documents :		
"A" document defining the general state of the art which is not considered to be of particular relevance "E" earlier document but published on or after the international filing date "L" document which may throw doubts on priority claim(s) or which is cited to establish the publication date of another citation or other special reason (as specified) "O" document referring to an oral disclosure, use, exhibition or other means "P" document published prior to the international filing date but later than the priority date claimed	"T" later document published after the international filing date or priority date and not in conflict with the application but cited to understand the principle or theory underlying the invention "X" document of particular relevance; the claimed invention cannot be considered novel or cannot be considered to involve an inventive step when the document is taken alone "Y" document of particular relevance; the claimed invention cannot be considered to involve an inventive step when the document is combined with one or more other such documents, such combination being obvious to a person skilled in the art. "&" document member of the same patent family	
Date of the actual completion of the international search	Date of mailing of the international search report	
21 October 2011	31/10/2011	
Name and mailing address of the ISA/ European Patent Office, P.B. 5818 Patentlaan 2 NL - 2280 HV Rijswijk Tel. (+31-70) 340-2040, Fax: (+31-70) 340-3016	Authorized officer Serra i Verdaguer, J	

INTERNATIONAL SEARCH REPORT

International application No.
PCT/US2011/035096

Box No. II Observations where certain claims were found unsearchable (Continuation of item 2 of first sheet)

This international search report has not been established in respect of certain claims under Article 17(2)(a) for the following reasons:

1. Claims Nos.: 1-7
because they relate to subject matter not required to be searched by this Authority, namely:
The subject-matter of claims 1 to 7, discloses a method for providing an intraocular lens. The method comprises the step of inserting the lens. The International Searching Authority is not required to search methods for treatment of the human body by surgery or therapy (Rule 39.1(iv) PCT).
2. Claims Nos.:
because they relate to parts of the international application that do not comply with the prescribed requirements to such an extent that no meaningful international search can be carried out, specifically:
3. Claims Nos.:
because they are dependent claims and are not drafted in accordance with the second and third sentences of Rule 6.4(a).

Box No. III Observations where unity of invention is lacking (Continuation of item 3 of first sheet)

This International Searching Authority found multiple inventions in this international application, as follows:

1. As all required additional search fees were timely paid by the applicant, this international search report covers all searchable claims.
2. As all searchable claims could be searched without effort justifying an additional fees, this Authority did not invite payment of additional fees.
3. As only some of the required additional search fees were timely paid by the applicant, this international search report covers only those claims for which fees were paid, specifically claims Nos.:
4. No required additional search fees were timely paid by the applicant. Consequently, this international search report is restricted to the invention first mentioned in the claims; it is covered by claims Nos.:

Remark on Protest

- The additional search fees were accompanied by the applicant's protest and, where applicable, the payment of a protest fee.
- The additional search fees were accompanied by the applicant's protest but the applicable protest fee was not paid within the time limit specified in the invitation.
- No protest accompanied the payment of additional search fees.

INTERNATIONAL SEARCH REPORT

International application No PCT/US2011/035096

C(Continuation). DOCUMENTS CONSIDERED TO BE RELEVANT

Category*	Citation of document, with indication, where appropriate, of the relevant passages	Relevant to claim No.
Y	US 5 616 148 A (EAGLES DANIEL C [US] ET AL) 1 April 1997 (1997-04-01) the whole document -----	9-14, 16-25
Y	US 6 022 358 A (WOLF JOHN R [US] ET AL) 8 February 2000 (2000-02-08) the whole document -----	8-25

INTERNATIONAL SEARCH REPORT

Information on patent family members

International application No PCT/US2011/035096

Patent document cited in search report	Publication date	Patent family member(s)	Publication date																
US 2008058830	A1	06-03-2008	<table style="width: 100%; border-collapse: collapse;"> <tr> <td style="width: 10%;">AU</td> <td style="width: 40%;">2008276035</td> <td style="width: 10%;">A1</td> <td style="width: 30%;">22-01-2009</td> </tr> <tr> <td>CA</td> <td>2693446</td> <td>A1</td> <td>22-01-2009</td> </tr> <tr> <td>EP</td> <td>2175805</td> <td>A2</td> <td>21-04-2010</td> </tr> <tr> <td>WO</td> <td>2009012351</td> <td>A2</td> <td>22-01-2009</td> </tr> </table>	AU	2008276035	A1	22-01-2009	CA	2693446	A1	22-01-2009	EP	2175805	A2	21-04-2010	WO	2009012351	A2	22-01-2009
AU	2008276035	A1	22-01-2009																
CA	2693446	A1	22-01-2009																
EP	2175805	A2	21-04-2010																
WO	2009012351	A2	22-01-2009																

US 2009318933	A1	24-12-2009	<table style="width: 100%; border-collapse: collapse;"> <tr> <td style="width: 10%;">AU</td> <td style="width: 40%;">2009271347</td> <td style="width: 10%;">A1</td> <td style="width: 30%;">21-01-2010</td> </tr> <tr> <td>CA</td> <td>2729068</td> <td>A1</td> <td>21-01-2010</td> </tr> <tr> <td>EP</td> <td>2334259</td> <td>A1</td> <td>22-06-2011</td> </tr> <tr> <td>WO</td> <td>2010008850</td> <td>A1</td> <td>21-01-2010</td> </tr> </table>	AU	2009271347	A1	21-01-2010	CA	2729068	A1	21-01-2010	EP	2334259	A1	22-06-2011	WO	2010008850	A1	21-01-2010
AU	2009271347	A1	21-01-2010																
CA	2729068	A1	21-01-2010																
EP	2334259	A1	22-06-2011																
WO	2010008850	A1	21-01-2010																

US 2004116937	A1	17-06-2004	NONE																

US 5772666	A	30-06-1998	NONE																

US 5616148	A	01-04-1997	US 5620450 A 15-04-1997																

US 6022358	A	08-02-2000	US 5800442 A 01-09-1998																
