

(12) INTERNATIONAL APPLICATION PUBLISHED UNDER THE PATENT COOPERATION TREATY (PCT)

(19) World Intellectual Property Organization
International Bureau



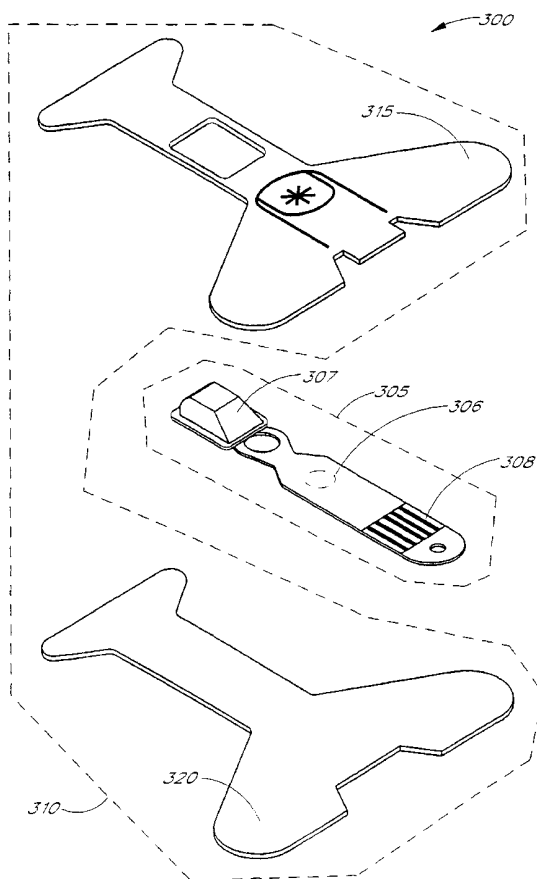
(43) International Publication Date
14 June 2001 (14.06.2001)

PCT

(10) International Publication Number
WO 01/41634 A3

- (51) International Patent Classification⁷: **A61B 5/00** (74) Agent: **ALTMAN, Daniel, E.**; Knobbe, Martens, Olson & Bear, LLP, 620 Newport Center Drive, 16th Floor, Newport Beach, CA 92660 (US).
- (21) International Application Number: PCT/US00/42637
- (22) International Filing Date: 7 December 2000 (07.12.2000) (81) Designated States (*national*): BR, CN, DE, DE (utility model), GB, IN, JP, MX.
- (25) Filing Language: English (84) Designated States (*regional*): European patent (AT, BE, CH, CY, DE, DK, ES, FI, FR, GB, GR, IE, IT, LU, MC, NL, PT, SE, TR).
- (26) Publication Language: English
- (30) Priority Data: 09/456,666 9 December 1999 (09.12.1999) US Published: — with international search report
- (71) Applicant: **MASIMO CORPORATION** [US/US]; 2852 Kelvin Avenue, Irvine, CA 92614 (US). (88) Date of publication of the international search report: 27 December 2001
- (72) Inventor: **AL-ALI, Ammar**; 10880 Phillips Street, Tustin, CA 92782 (US).
For two-letter codes and other abbreviations, refer to the "Guidance Notes on Codes and Abbreviations" appearing at the beginning of each regular issue of the PCT Gazette.

(54) Title: RESPONSABLE PULSE OXIMETRY SENSOR



(57) Abstract: A pulse oximeter sensor has both a reusable (305) and a disposable (210) portion. The reusable portion of the sensor preserves the relatively long-lived and costly emitter (306), detector (307) and connector (308) components. The disposable portion of the sensor is the relatively inexpensive adhesive tape (320) component that is used to secure the sensor to a measurement site, typically a patient's finger or toe. The disposable portion of the sensor is removably attached to the reusable portion in a manner that allows the disposable portion to be readily replaced when the adhesive is expended or the tape becomes soiled or excessively worn. The disposable portion may also contain an information element (405) useful for sensor identification or for security purposes to insure patient safety. A conductive element that allows a pulse oximeter monitor to read the information element is located on the disposable portion in such a way that continuity is broken when the adhesive tape become torn, such as upon removal from the measurement site.

WO 01/41634 A3

INTERNATIONAL SEARCH REPORT

International Application No PCT/US 00/42637

A. CLASSIFICATION OF SUBJECT MATTER
 IPC 7 A61B5/00

According to International Patent Classification (IPC) or to both national classification and IPC

B. FIELDS SEARCHED

Minimum documentation searched (classification system followed by classification symbols)
 IPC 7 A61B

Documentation searched other than minimum documentation to the extent that such documents are included in the fields searched

Electronic data base consulted during the international search (name of data base and, where practical, search terms used)
 EPO-Internal, WPI Data, PAJ

C. DOCUMENTS CONSIDERED TO BE RELEVANT

Category °	Citation of document, with indication, where appropriate, of the relevant passages	Relevant to claim No.
Y X A	US 5 999 834 A (WANG HUISUN ET AL) 7 December 1999 (1999-12-07) column 2, line 27 - line 34 column 2, line 65 -column 4, line 19 column 5, line 63 -column 6, line 55; tables 1,6 ---	1-4, 8, 16, 20 5, 6, 13, 19 9, 10, 12, 15
Y A	US 5 995 855 A (KIANI MASSI E ET AL) 30 November 1999 (1999-11-30) column 2, line 8 - line 25 column 5, line 12 - line 15 column 7, line 34 -column 8, line 15; tables 1,4 --- -/--	1-4, 8, 16, 20 7, 14, 18

Further documents are listed in the continuation of box C. Patent family members are listed in annex.

° Special categories of cited documents :

<p>*A* document defining the general state of the art which is not considered to be of particular relevance</p> <p>*E* earlier document but published on or after the international filing date</p> <p>*L* document which may throw doubts on priority claim(s) or which is cited to establish the publication date of another citation or other special reason (as specified)</p> <p>*O* document referring to an oral disclosure, use, exhibition or other means</p> <p>*P* document published prior to the international filing date but later than the priority date claimed</p>	<p>*T* later document published after the international filing date or priority date and not in conflict with the application but cited to understand the principle or theory underlying the invention</p> <p>*X* document of particular relevance; the claimed invention cannot be considered novel or cannot be considered to involve an inventive step when the document is taken alone</p> <p>*Y* document of particular relevance; the claimed invention cannot be considered to involve an inventive step when the document is combined with one or more other such documents, such combination being obvious to a person skilled in the art.</p> <p>*Z* document member of the same patent family</p>
--	--

Date of the actual completion of the international search 30 July 2001	Date of mailing of the international search report 06/08/2001
--	---

Name and mailing address of the ISA European Patent Office, P.B. 5818 Patentlaan 2 NL - 2280 HV Rijswijk Tel. (+31-70) 340-2040, Tx. 31 651 epo nl, Fax: (+31-70) 340-3016	Authorized officer Weih, J
--	--

INTERNATIONAL SEARCH REPORT

International Application No
PCT/US 00/42637

C.(Continuation) DOCUMENTS CONSIDERED TO BE RELEVANT		
Category *	Citation of document, with indication, where appropriate, of the relevant passages	Relevant to claim No.
Y	US 5 158 323 A (YAMAMOTO ISAO ET AL) 27 October 1992 (1992-10-27)	1,8,16
A	abstract	14
A	----- EP 0 313 238 A (CRITIKON INC) 26 April 1989 (1989-04-26) column 4, line 19 - line 58; tables 1,2	6,13,19
A	----- US 5 170 786 A (D ALO HERBERT F ET AL) 15 December 1992 (1992-12-15) column 3, line 33 -column 6, line 10; tables 1-8 -----	6,13,19

INTERNATIONAL SEARCH REPORT

Information on patent family members

International Application No

PCT/US 00/42637

Patent document cited in search report	A	Publication date	Patent family member(s)	Publication date
US 5999834	A	07-12-1999	NONE	
US 5995855	A	30-11-1999	NONE	
US 5158323	A	27-10-1992	DE 4129314 A	12-03-1992
EP 0313238	A	26-04-1989	US 4825879 A	02-05-1989
			AT 111705 T	15-10-1994
			AU 2357488 A	13-04-1989
			BR 8805229 A	23-05-1989
			CA 1326265 A	18-01-1994
			DE 3851603 D	27-10-1994
			DE 3851603 T	23-03-1995
			ES 2059531 T	16-11-1994
			GR 1000789 B	30-12-1992
			JP 1135329 A	29-05-1989
			JP 2682662 B	26-11-1997
			KR 9610973 B	14-08-1996
			NZ 226501 A	26-06-1990
			PH 26006 A	29-01-1992
			PT 88705 A, B	31-07-1989
			SG 178194 G	12-05-1995
			ZA 8807555 A	27-06-1990
US 5170786	A	15-12-1992	NONE	