

(19) World Intellectual Property Organization
International Bureau



(43) International Publication Date
12 September 2008 (12.09.2008)

PCT

(10) International Publication Number
WO 2008/109162 A3

- (51) International Patent Classification:
H04B 7/005 (2006.01)
- (21) International Application Number:
PCT/US2008/003085
- (22) International Filing Date: 7 March 2008 (07.03.2008)
- (25) Filing Language: English
- (26) Publication Language: English
- (30) Priority Data:
60/893,575 7 March 2007 (07.03.2007) US
60/895,561 19 March 2007 (19.03.2007) US
60/945,286 20 June 2007 (20.06.2007) US
- (71) Applicant (for all designated States except US): **INTER-DIGITAL TECHNOLOGY CORPORATION** [US/US];
3411 Silverside Road, Concord Plaza, Suite 105, Hagley Building, Wilmington, Delaware 19810 (US).
- (72) Inventors; and
- (75) Inventors/Applicants (for US only): **SHIN, Sung-hyuk** [US/US]; 104 Eidner Way, Northvale, New Jersey 07647 (US). **LIN, Zinan** [CN/US]; 54 17th Street, 2nd Fl., New

York, New York 11704 (US). **GRIECO, Donald, M.** [US/US]; 18 Shore Road, Manhasset, NY 11030 (US). **OLESEN, Robert, L.** [US/US]; 3 Country Club Drive, Huntington, New York 11743 (US).

(74) Agent: **BALLARINI, Robert, J.**; Volpe And Koenig, P.C., United Plaza, Suite 1600, 30 S. 17th Street, Philadelphia, PA 19103 (US).

(81) Designated States (unless otherwise indicated, for every kind of national protection available): AE, AG, AL, AM, AO, AT, AU, AZ, BA, BB, BG, BH, BR, BW, BY, BZ, CA, CH, CN, CO, CR, CU, CZ, DE, DK, DM, DO, DZ, EC, EE, EG, ES, FI, GB, GD, GE, GH, GM, GT, HN, HR, HU, ID, IL, IN, IS, JP, KE, KG, KM, KN, KP, KR, KZ, LA, LC, LK, LR, LS, LT, LU, LY, MA, MD, ME, MG, MK, MN, MW, MX, MY, MZ, NA, NG, NI, NO, NZ, OM, PG, PH, PL, PT, RO, RS, RU, SC, SD, SE, SG, SK, SL, SM, SV, SY, TJ, TM, TN, TR, TT, TZ, UA, UG, US, UZ, VC, VN, ZA, ZM, ZW.

(84) Designated States (unless otherwise indicated, for every kind of regional protection available): ARIPO (BW, GH,

[Continued on next page]

(54) Title: COMBINED OPEN LOOP/CLOSED LOOP METHOD FOR CONTROLLING UPLINK POWER OF A MOBILE STATION

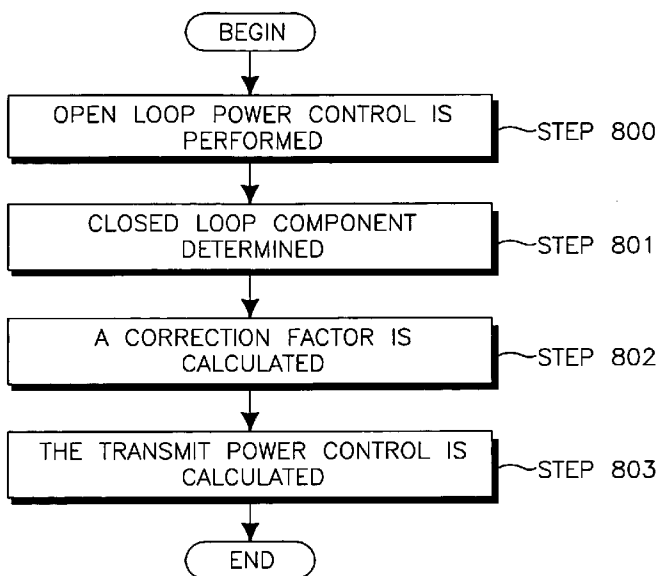


FIG.8

(57) Abstract: A method and apparatus are disclosed comprising a combined open loop/closed loop uplink power control scheme for E-UTRA. The combined open and closed loop method for UL intra-cell PC controls the wireless transmit receive unit (WTRU) transmit power spectral density (PSD), PSDTx, (e.g. power per RB).

WO 2008/109162 A3



GM, KE, LS, MW, MZ, NA, SD, SL, SZ, TZ, UG, ZM, ZW), Eurasian (AM, AZ, BY, KG, KZ, MD, RU, TJ, TM), European (AT, BE, BG, CH, CY, CZ, DE, DK, EE, ES, FI, FR, GB, GR, HR, HU, IE, IS, IT, LT, LU, LV, MC, MT, NL, NO, PL, PT, RO, SE, SI, SK, TR), OAPI (BF, BJ, CF, CG, CI, CM, GA, GN, GQ, GW, ML, MR, NE, SN, TD, TG).

Published:

- *with international search report*
- *before the expiration of the time limit for amending the claims and to be republished in the event of receipt of amendments*

(88) Date of publication of the international search report:

13 November 2008

INTERNATIONAL SEARCH REPORT

International application No
PCT/US2008/003085

A. CLASSIFICATION OF SUBJECT MATTER
INV. H04B7/005

According to International Patent Classification (IPC) or to both national classification and IPC

B. FIELDS SEARCHED

Minimum documentation searched (classification system followed by classification symbols)
H04B

Documentation searched other than minimum documentation to the extent that such documents are included in the fields searched

Electronic data base consulted during the international search (name of data base and, where practical, search terms used)

EPO-Internal, WPI Data, INSPEC

C. DOCUMENTS CONSIDERED TO BE RELEVANT

Category*	Citation of document, with indication, where appropriate, of the relevant passages	Relevant to claim No.
E	WO 2008/042187 A (INTERDIGITAL TECH CORP [US]; SHIN SUNG-HYUK [US]; GRIECO DONALD M [US]) 10 April 2008 (2008-04-10) abstract paragraphs [0038], [0042], [0048]	1-38
X	US 2003/002452 A1 (SAHOTA GURKANWAL SINGH [US]) 2 January 2003 (2003-01-02) abstract paragraphs [0021] - [0023], [0040], [0044]	1-38
X	US 6 600 772 B1 (ZEIRA ARIELA [US] ET AL) 29 July 2003 (2003-07-29) abstract column 3, line 23 - line 39 column 5, line 1 - line 16 column 5, line 37 - line 51 column 5, line 66 - column 6, line 58	1-38

Further documents are listed in the continuation of Box C.

See patent family annex.

* Special categories of cited documents:

- *A* document defining the general state of the art which is not considered to be of particular relevance
- *E* earlier document but published on or after the international filing date
- *L* document which may throw doubts on priority claim(s) or which is cited to establish the publication date of another citation or other special reason (as specified)
- *O* document referring to an oral disclosure, use, exhibition or other means
- *P* document published prior to the international filing date but later than the priority date claimed

- *T* later document published after the international filing date or priority date and not in conflict with the application but cited to understand the principle or theory underlying the invention
- *X* document of particular relevance; the claimed invention cannot be considered novel or cannot be considered to involve an inventive step when the document is taken alone
- *Y* document of particular relevance; the claimed invention cannot be considered to involve an inventive step when the document is combined with one or more other such documents, such combination being obvious to a person skilled in the art.
- *&* document member of the same patent family

Date of the actual completion of the international search

16 September 2008

Date of mailing of the international search report

22/09/2008

Name and mailing address of the ISA/

European Patent Office, P.B. 5818 Patentlaan 2
NL - 2280 HV Rijswijk
Tel. (+31-70) 340-2040, Tx. 31 651 epo nl,
Fax: (+31-70) 340-3016

Authorized officer

Lustrini, Donato

INTERNATIONAL SEARCH REPORT

Information on patent family members

International application No PCT/US2008/003085

Patent document cited in search report	Publication date	Patent family member(s)	Publication date
WO 2008042187 A	10-04-2008	DE 202007013761 U1 US 2008081655 A1	06-03-2008 03-04-2008
US 2003002452 A1	02-01-2003	CA 2451320 A1 EP 1400033 A2 JP 4095020 B2 JP 2005502233 T RU 2297714 C2 WO 03001701 A2 US 2005059424 A1 US 2005048938 A1	03-01-2003 24-03-2004 04-06-2008 20-01-2005 20-04-2007 03-01-2003 17-03-2005 03-03-2005
US 6600772 B1	29-07-2003	US 2003198279 A1	23-10-2003