



(12) **United States Design Patent**
Solomon et al.

(10) **Patent No.:** **US D902,937 S**
(45) **Date of Patent:** **** Nov. 24, 2020**

(54) **DISPLAY POSITIONING SYSTEM**

- (71) Applicant: **Tangible Play, Inc.**, Palo Alto, CA (US)
- (72) Inventors: **Mark Solomon**, Palo Alto, CA (US); **Jon Karl Dukerschein**, Pacifica, CA (US); **Vivardhan Kanoria**, Berkeley, CA (US); **Ariel Zekelman**, Palo Alto, CA (US)
- (73) Assignee: **Tangible Play, Inc.**, Palo Alto, CA (US)

(**) Term: **15 Years**

(21) Appl. No.: **29/643,250**

(22) Filed: **Apr. 5, 2018**

(51) **LOC (12) Cl.** **14-02**

(52) **U.S. Cl.**
USPC **D14/451**

(58) **Field of Classification Search**
USPC D14/371–382, 125–129, 335–337, D14/447–452, 492, 239, 457, 439–441, D14/432, 251–253; D8/349, 354, 363, D8/373, 376, 380; 348/180, 184, 325,
(Continued)

(56) **References Cited**

U.S. PATENT DOCUMENTS

- D510,517 S * 10/2005 Noack D8/373
 - D523,828 S * 6/2006 Hoehn D14/126
 - D625,724 S * 10/2010 Chen D14/374
- (Continued)

FOREIGN PATENT DOCUMENTS

KR 1020130133627 A 12/2013

OTHER PUBLICATIONS

International Search Report and Written Opinion issued in PCT/US2016/024303, dated Aug. 3, 2016 (11 pages).
(Continued)

Primary Examiner — Katie Jane Stofko
(74) *Attorney, Agent, or Firm* — Patent Law Works LLP

(57) **CLAIM**

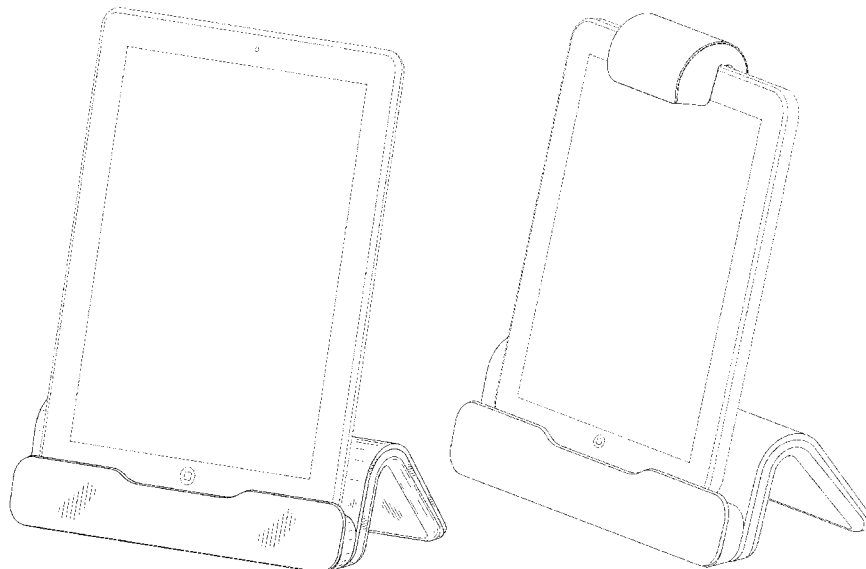
The ornamental design for a display positioning system, as shown and described.

DESCRIPTION

FIG. 1 is a front, left, top perspective view of a display positioning system according to a first embodiment; FIG. 2 is a rear, right, bottom perspective view thereof; FIG. 3 is a top plan view thereof; FIG. 4 is a bottom plan view thereof; FIG. 5 is a left side elevation view thereof, the right side elevation view being a mirror image of the left side elevation view; FIG. 6 is a right side elevation view thereof, shown in an environment of use; FIG. 7 is a front elevation view thereof; FIG. 8 is a rear elevation view thereof; FIG. 9 is a front, right, top perspective view thereof, shown in an environment of use; FIG. 10 is a rear elevation view thereof, shown in an environment of use; and, FIG. 11 is a front, right, top perspective view of a display positioning system according to a second embodiment, shown in an environment of use.

The broken lines shown in FIGS. 1-5 and 8 illustrate portions of the display system that form no part of the claimed design. The broken lines illustrating the tablet in FIGS. 6, 9, 10, and 11 are environment that form no part of the claimed design, while the remaining broken lines in FIGS. 6, 10, and 11 illustrate portions of the display positioning system that form no part of the claimed design.

1 Claim, 10 Drawing Sheets



(58) **Field of Classification Search**

USPC 348/739, 825; D12/407, 415; D3/218;
341/12
CPC G06F 3/0412; G06F 3/016; G06F 3/0488;
G06F 3/011; G06F 3/038; G06F 3/03543;
G06F 3/0338; G06F 3/0202; G06F
3/0219; G06F 3/0213; G06F 1/1616;
G06F 3/023; G06F 3/04883; G02F
1/13338; G02F 1/1313; G02F 1/1333;
G02F 1/135; G02F 1/132; G02F
1/133308; G02F 1/134309; G02F
1/13718; G09G 3/3648; G06K 15/1252;
B41J 2/465; G03F 7/70291; G02B
27/0172; G02B 5/30; G02B 2027/0118;
G02B 27/0101; F16M 13/02; F16M
13/00; F16M 11/10; F16M 11/04; F16M
2200/08; F16M 11/2021; A47B 21/0314;
A47B 88/044; A47B 2021/0335; H02G
3/126; F16B 47/00; F16B 47/006; A47G
1/17; A47K 2201/00

See application file for complete search history.

(56) **References Cited**

U.S. PATENT DOCUMENTS

D636,395 S * 4/2011 Anderson D13/107
D640,708 S * 6/2011 Lee D14/447
D647,881 S * 11/2011 Warner D14/217
D663,777 S * 7/2012 Lira-Nunez D19/85
D666,174 S * 8/2012 Du D14/217
D667,831 S * 9/2012 Stravitz D14/447
8,490,846 B1 7/2013 Wheatley et al.

D693,826 S * 11/2013 Ashida D14/447
8,608,123 B2 12/2013 Takahashi et al.
8,667,904 B2 3/2014 Pajic
D714,297 S * 9/2014 Poulsen D14/447
D722,063 S * 2/2015 Zwerner D14/447
D722,064 S * 2/2015 Zwerner D14/447
D722,065 S * 2/2015 Zwerner D14/447
D754,135 S * 4/2016 Cromack D14/447
D771,055 S * 11/2016 Sharma D14/447
D787,521 S * 5/2017 Chen D14/447
9,677,704 B1 * 6/2017 Thelen F16M 13/00
D800,134 S * 10/2017 McDonald D14/447
2004/0181454 A1 9/2004 Manno
2006/0168865 A1 8/2006 Watanabe
2010/0134984 A1 6/2010 Lum et al.
2010/0320349 A1 12/2010 Necessary
2012/0057278 A1 3/2012 Fu et al.
2013/0068917 A1 3/2013 Peng
2013/0262248 A1 10/2013 Kim et al.
2013/0277520 A1 10/2013 Funk et al.
2014/0319304 A1 10/2014 Kuan et al.
2014/0321043 A1 10/2014 Liu et al.
2014/0328020 A1 11/2014 Galant
2015/0339532 A1 11/2015 Sharma et al.
2016/0142523 A1 * 5/2016 Bartkowski H04M 1/04
248/441.1
2016/0282901 A1 9/2016 Sharma et al.
2018/0177660 A1 6/2018 Davies et al.

OTHER PUBLICATIONS

International Search Report and Written Opinion issued in PCT/
US2019/026156, dated Jul. 3, 2019 (16 pages).
International Preliminary Report on Patentability issued in PCT/
US2016/024303, dated Oct. 5, 2017 (8 pages).

* cited by examiner

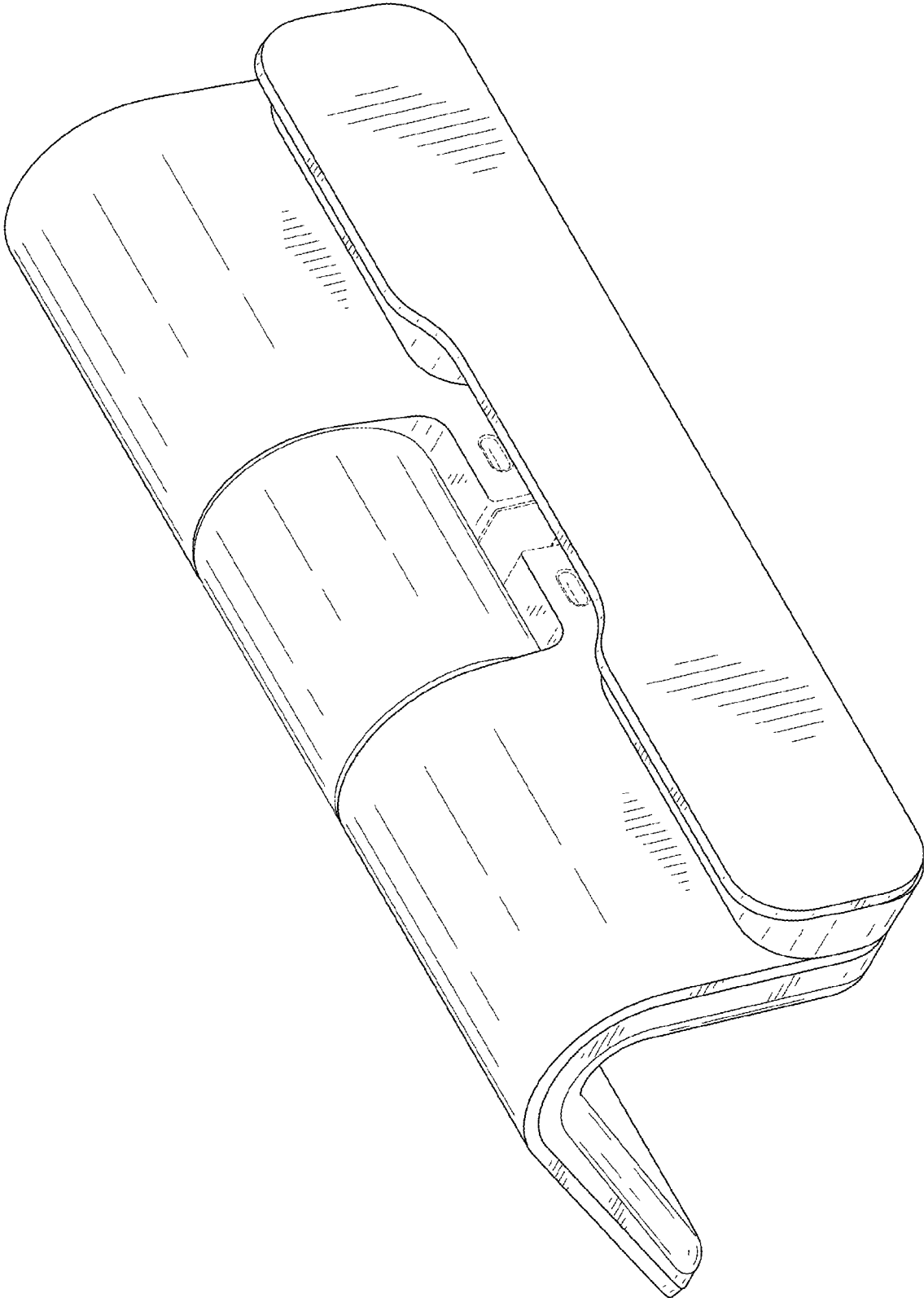


FIG. 1

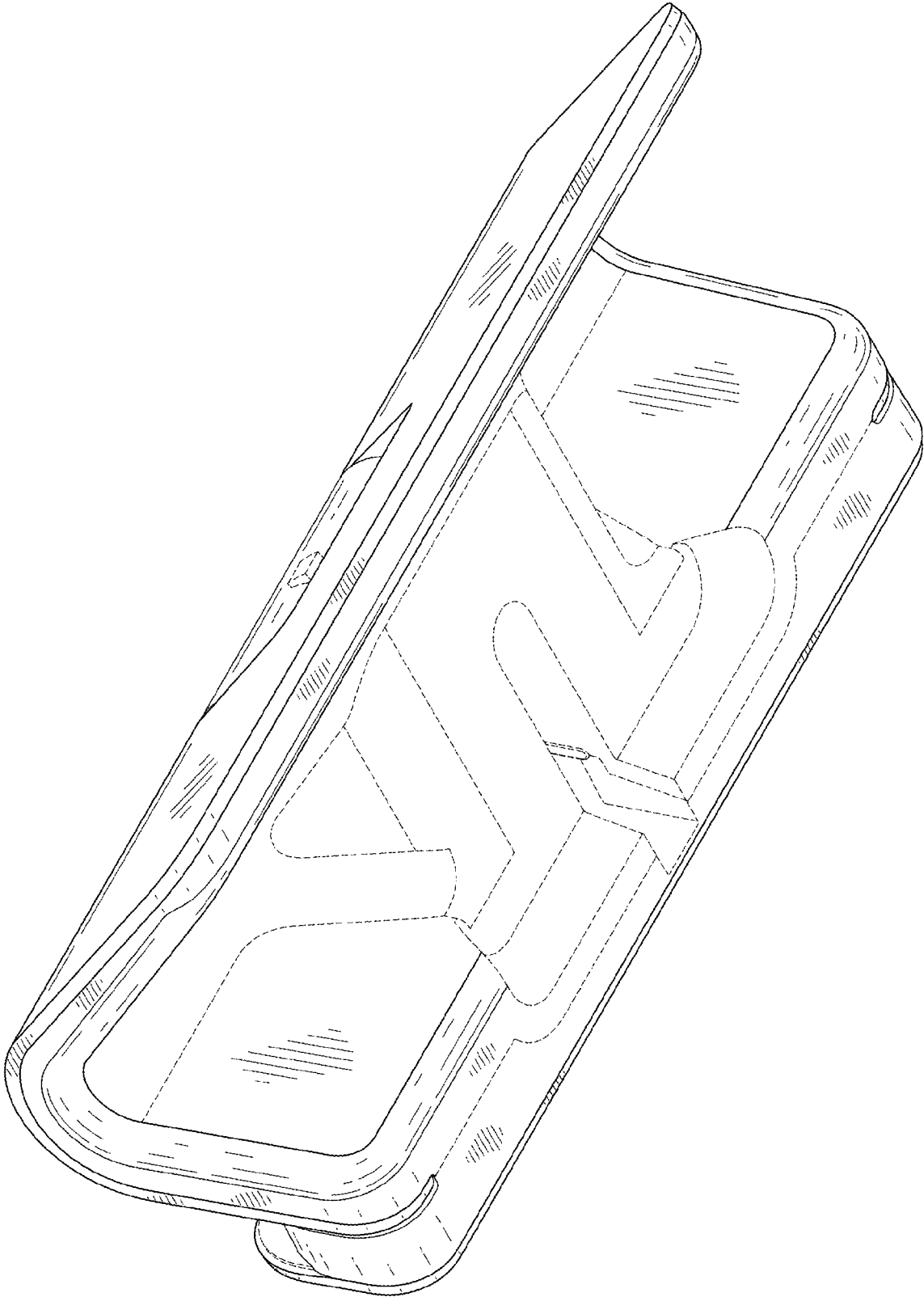


FIG. 2

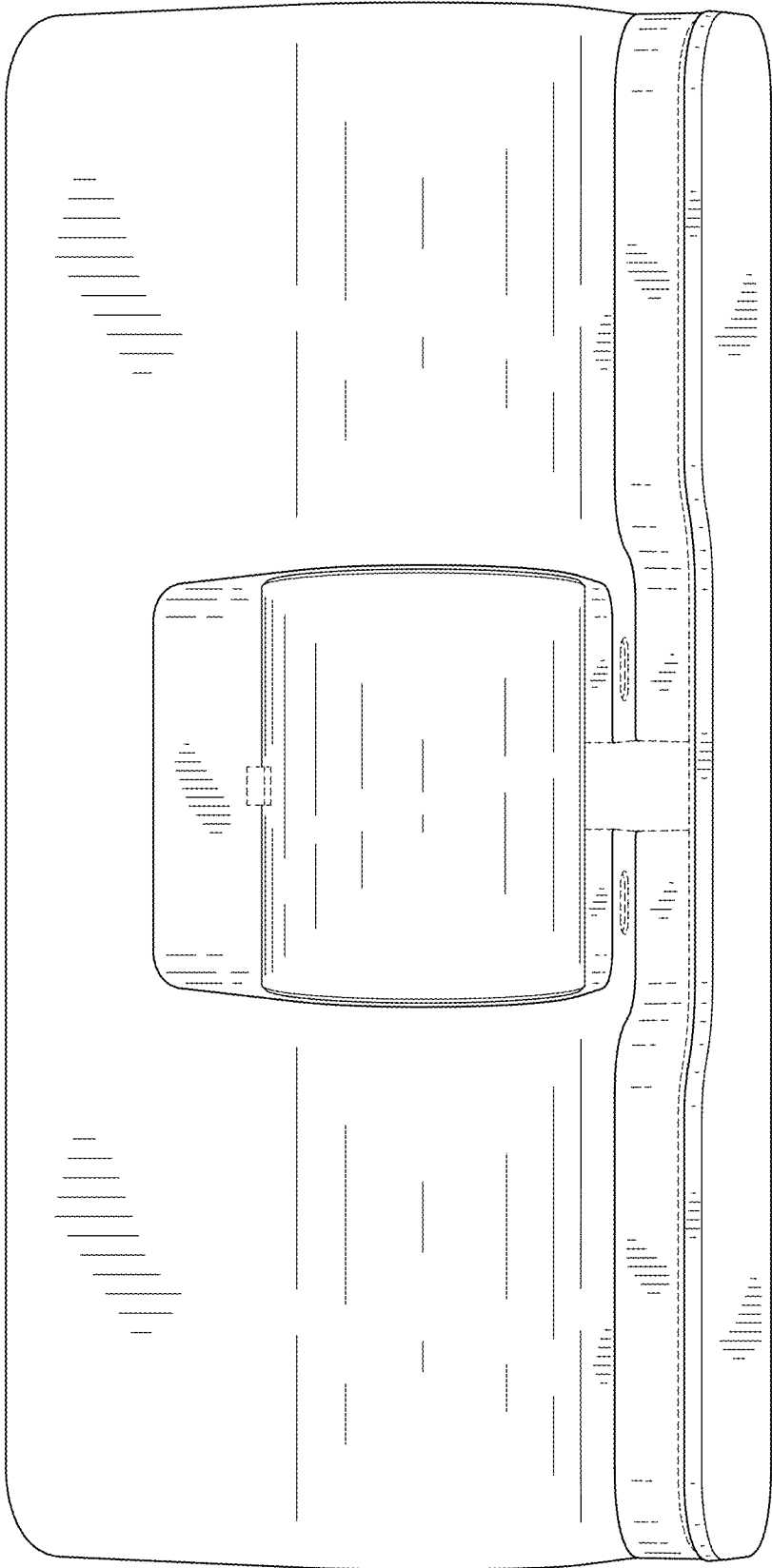


FIG. 3

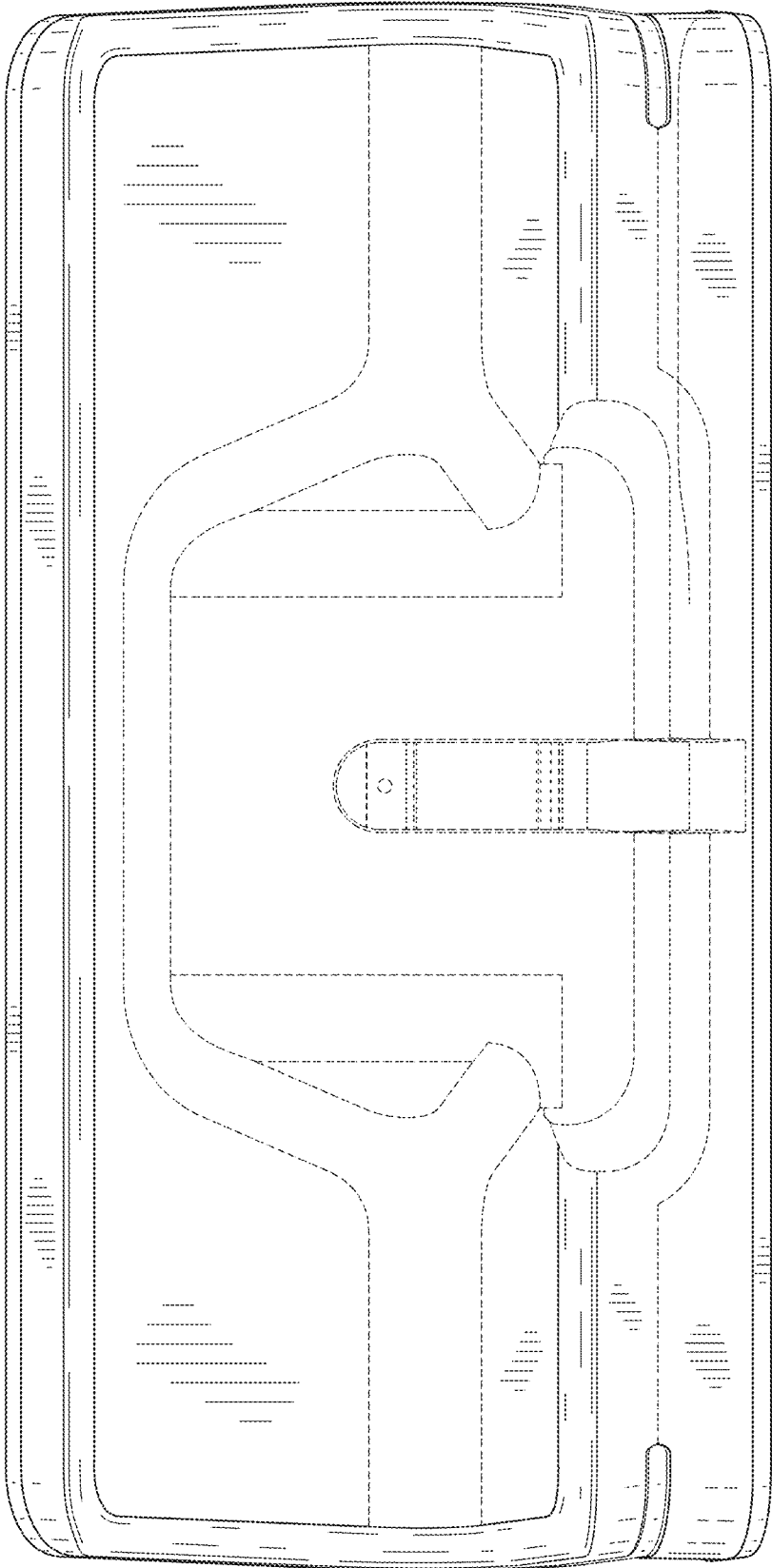


FIG. 4

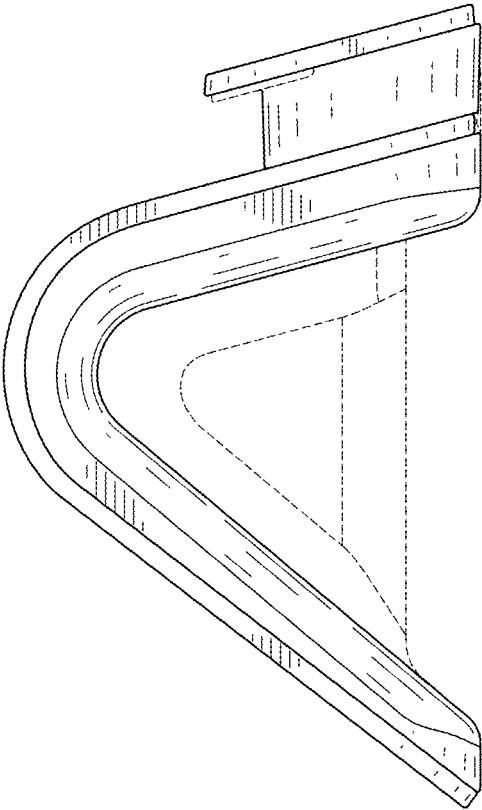


FIG. 5

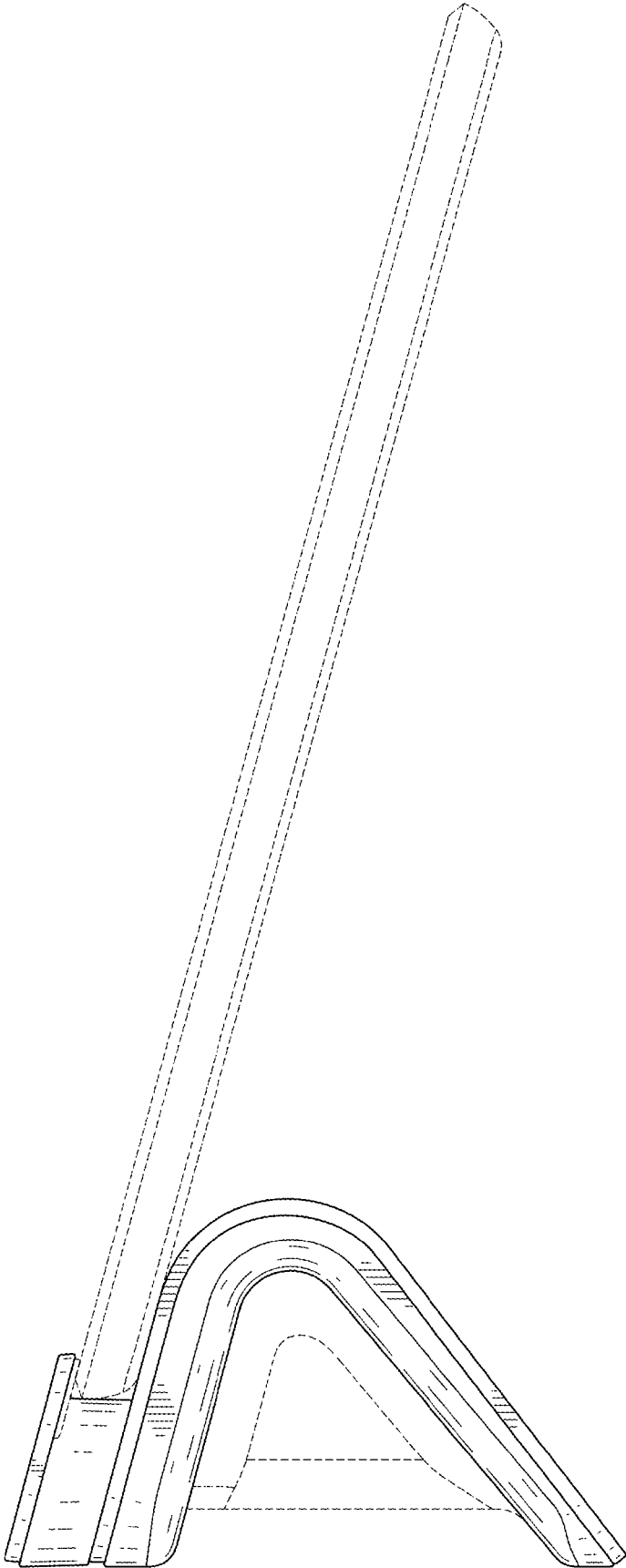


FIG. 6

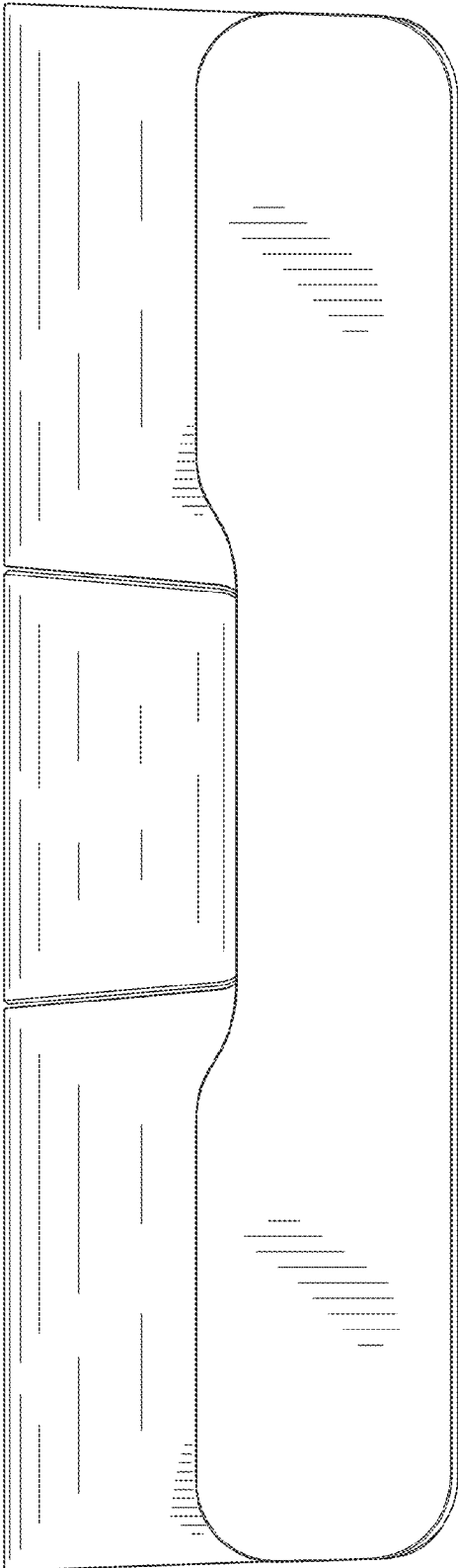


FIG. 7

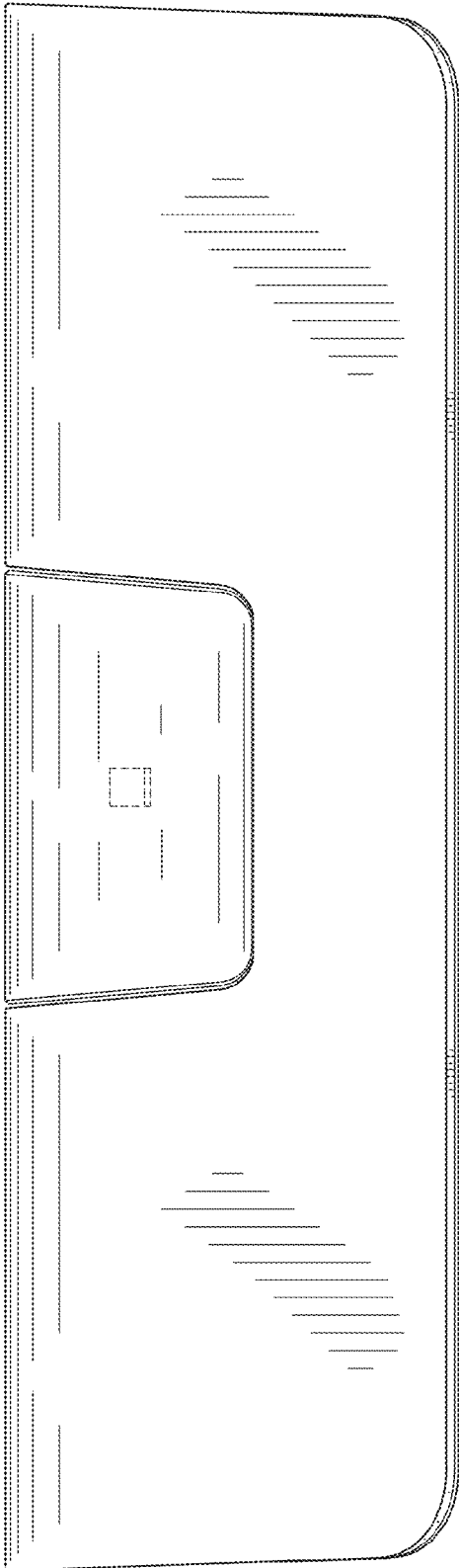


FIG. 8

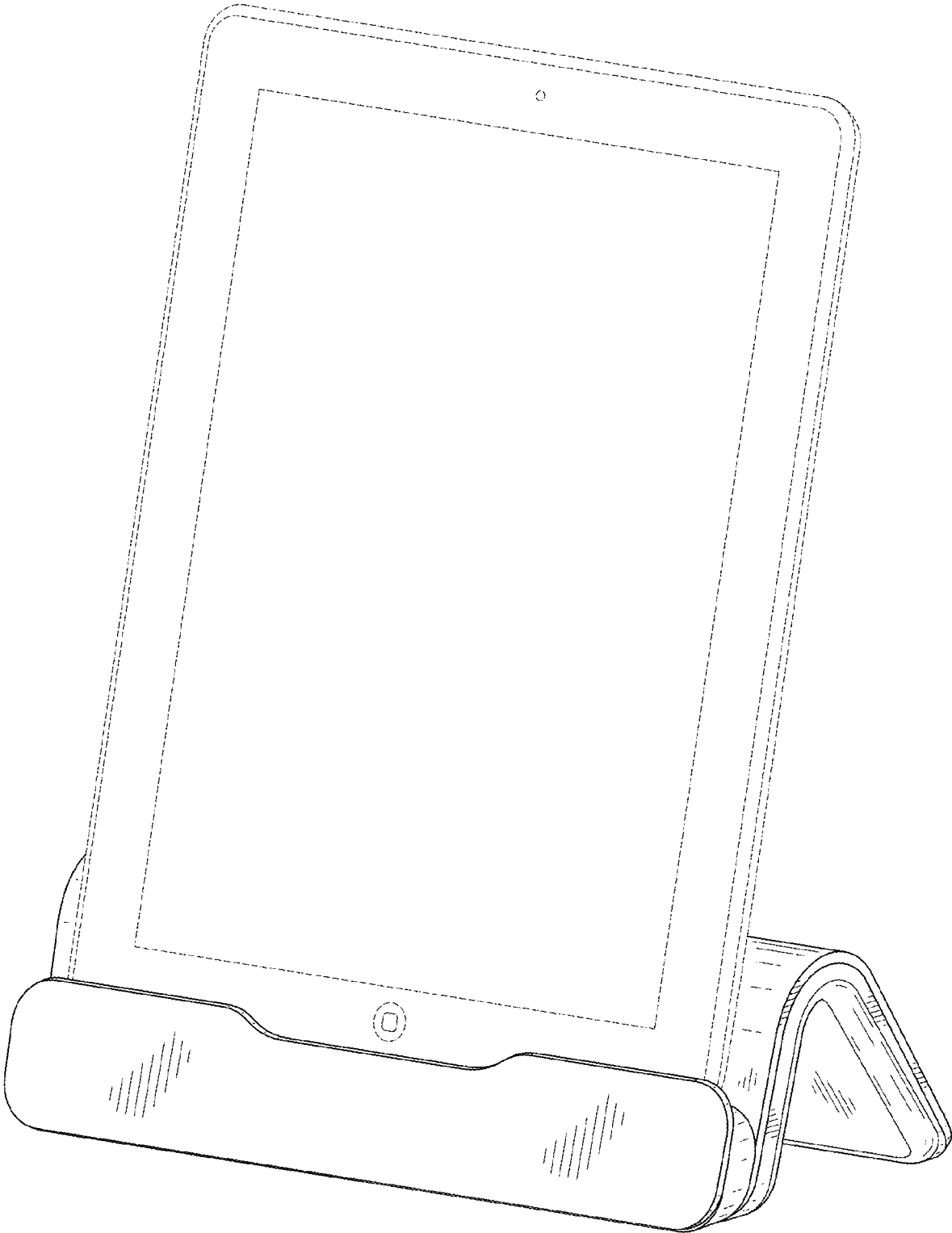


FIG. 9

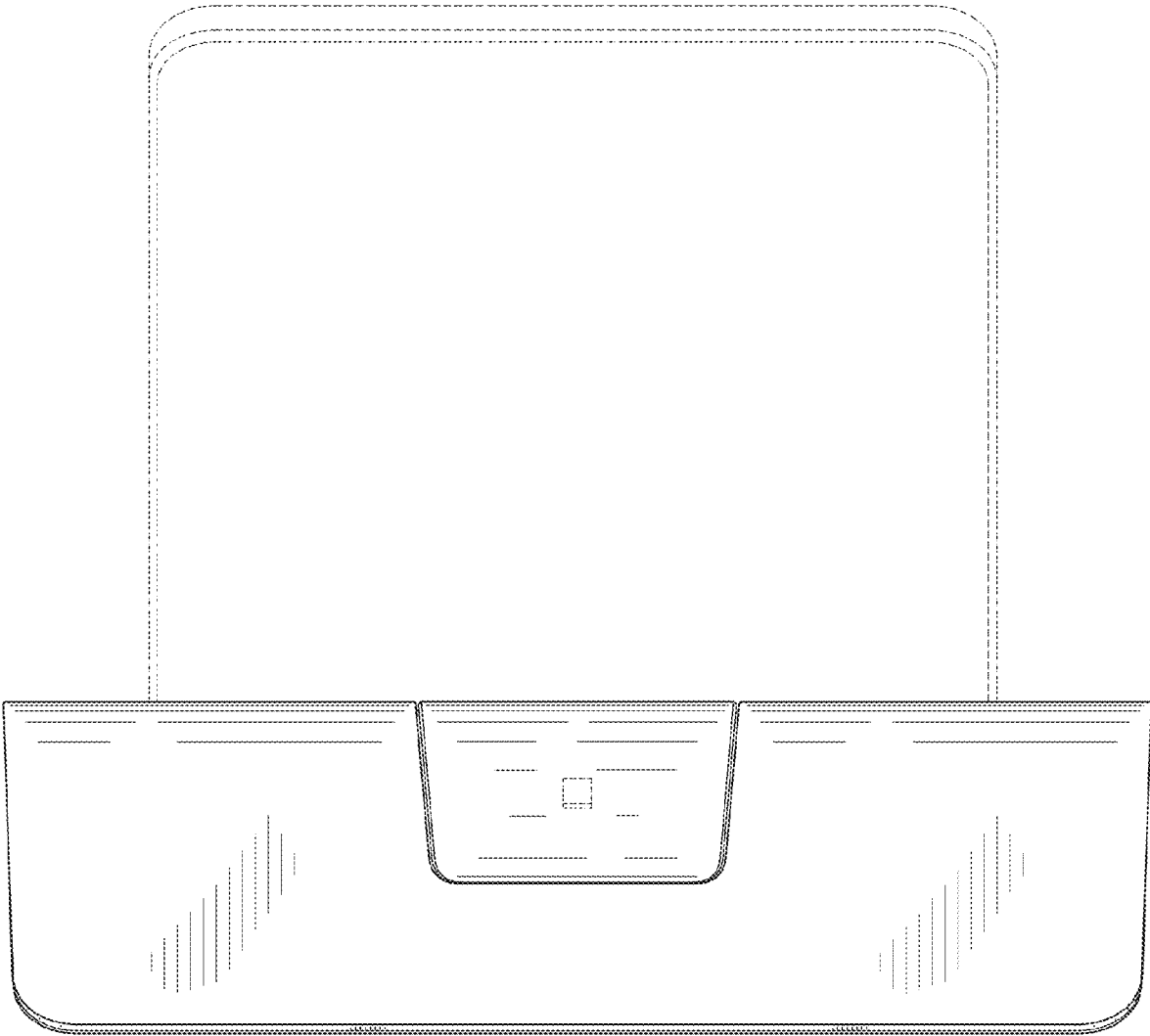


FIG. 10

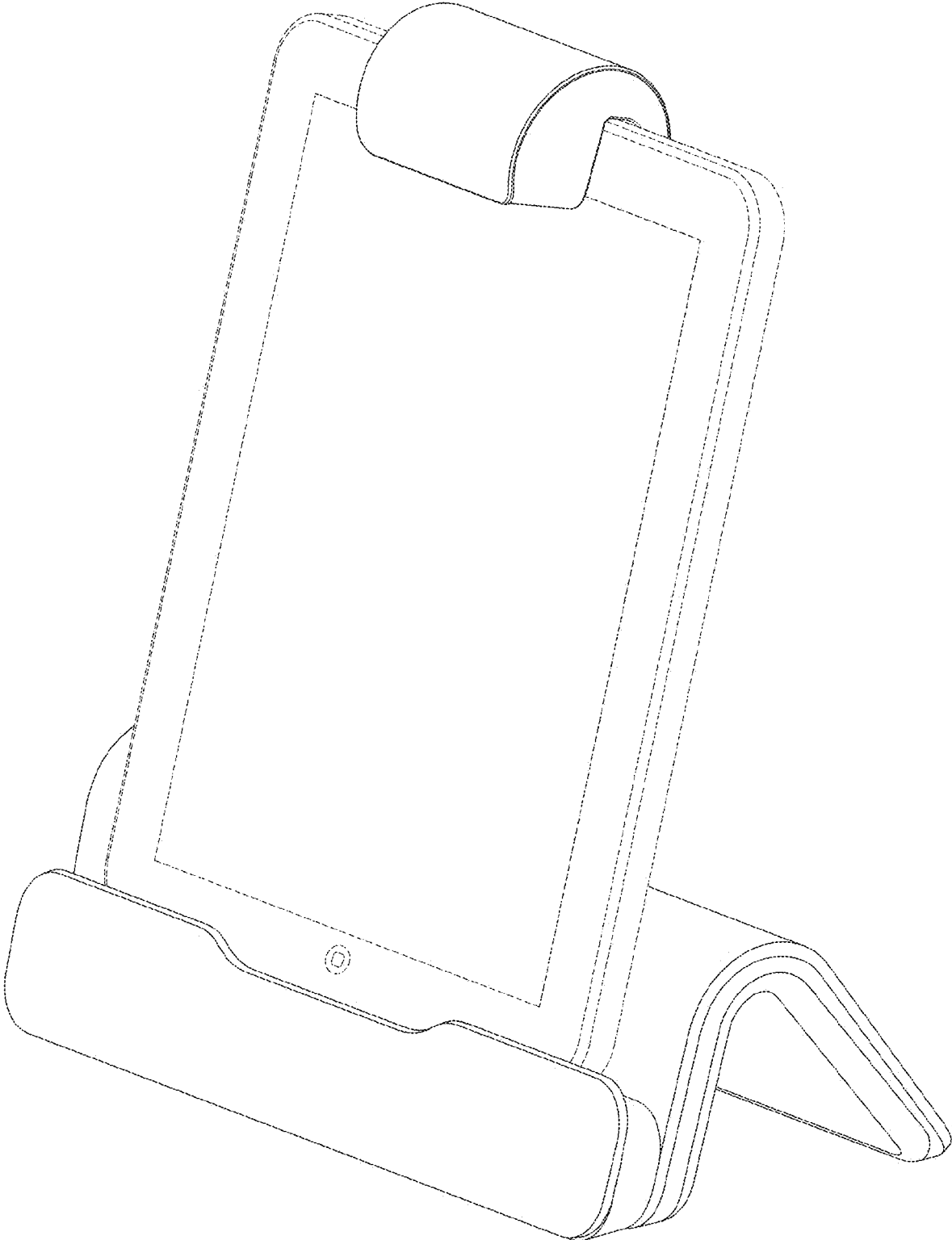


FIG. 11