

(19) World Intellectual Property Organization  
International Bureau



(43) International Publication Date  
28 December 2006 (28.12.2006)

PCT

(10) International Publication Number  
**WO 2006/138515 A3**

- (51) International Patent Classification:  
A61B 1/32 (2006.01)
- (21) International Application Number:  
PCT/US2006/023408
- (22) International Filing Date: 15 June 2006 (15.06.2006)
- (25) Filing Language: English
- (26) Publication Language: English
- (30) Priority Data:  
60/691,141 16 June 2005 (16.06.2005) US  
60/742,071 2 December 2005 (02.12.2005) US  
11/316,858 23 December 2005 (23.12.2005) US

KG, KM, KN, KP, KR, KZ, LA, LC, LK, LR, LS, LT, LU, LV, LY, MA, MD, MG, MK, MN, MW, MX, MZ, NA, NG, NI, NO, NZ, OM, PG, PH, PL, PT, RO, RS, RU, SC, SD, SE, SG, SK, SL, SM, SY, TJ, TM, TN, TR, TT, TZ, UA, UG, US, UZ, VC, VN, ZA, ZM, ZW.

- (84) Designated States (unless otherwise indicated, for every kind of regional protection available): ARIPO (BW, GH, GM, KE, LS, MW, MZ, NA, SD, SL, SZ, TZ, UG, ZM, ZW), Eurasian (AM, AZ, BY, KG, KZ, MD, RU, TJ, TM), European (AT, BE, BG, CH, CY, CZ, DE, DK, EE, ES, FI, FR, GB, GR, HU, IE, IS, IT, LT, LU, LV, MC, NL, PL, PT, RO, SE, SI, SK, TR), OAPI (BF, BJ, CF, CG, CI, CM, GA, GN, GQ, GW, ML, MR, NE, SN, TD, TG).

**Declarations under Rule 4.17:**

- as to applicant's entitlement to apply for and be granted a patent (Rule 4.17(ii))
- as to the applicant's entitlement to claim the priority of the earlier application (Rule 4.17(iii))

**Published:**

- with international search report
- before the expiration of the time limit for amending the claims and to be republished in the event of receipt of amendments

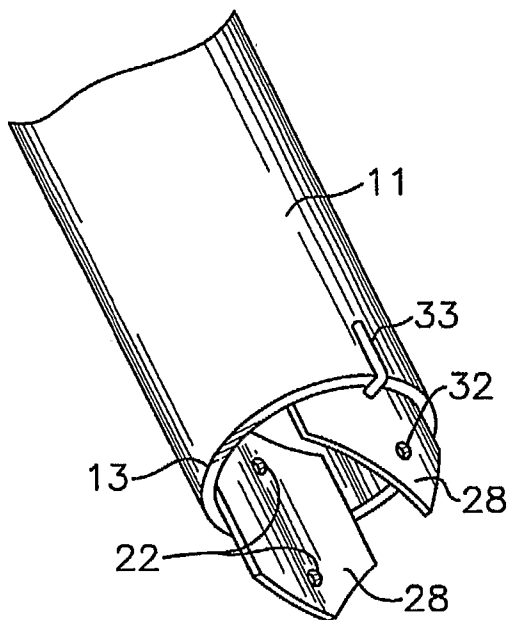
**(88) Date of publication of the international search report:**

22 November 2007

For two-letter codes and other abbreviations, refer to the "Guidance Notes on Codes and Abbreviations" appearing at the beginning of each regular issue of the PCT Gazette.

- (71) Applicant (for all designated States except US): **JGMC BENGOCHEA, LLC** [US/US]; 4901 Vandiveer Rd., Jacksonville, FL 32210 (US).
- (72) Inventor: **GARCIA-BENGOCHEA, Javier**; 4901 Vandiveer Rd., Jacksonville, FL 32210 (US).
- (74) Agent: **SAITTA, Thomas, C.**; **ROGERS TOWERS, P.A.**, 1301 RIVERPLACE BLVD., Suite 1500, Jacksonville, FL 32207 (US).
- (81) Designated States (unless otherwise indicated, for every kind of national protection available): AE, AG, AL, AM, AT, AU, AZ, BA, BB, BG, BR, BW, BY, BZ, CA, CH, CN, CO, CR, CU, CZ, DE, DK, DM, DZ, EC, EE, EG, ES, FI, GB, GD, GE, GH, GM, HR, HU, ID, IL, IN, IS, JP, KE,

(54) Title: SURGICAL RETRACTOR EXTENSIONS



(57) Abstract: A surgical retractor apparatus (10) having one or more independent, removable extension members (20) adapted to be mounted at the distal end (13) of the retractor (10), or between the blades of a spreadable retractor (10), after the retractor (10) has been positioned in the patient, such that a significant portion of the extension member (20) extends beyond the distal end (13) of the retractor (10) to preclude or minimize intrusion of tissue into the access area created by the retractor (10). The extension members (20) may vary in size and shape so that the most appropriate extension member (20) can be chosen to address the intrusion problem, and the extension members (20) may be mounted at various fixed locations, using clips (33), mechanical interlocking structures or the like.



WO 2006/138515 A3

**INTERNATIONAL SEARCH REPORT**

International application No.  
PCT/US 06/23408

**A. CLASSIFICATION OF SUBJECT MATTER**  
IPC(8) - A61B 1/32 (2007.01)  
USPC - 600/213  
According to International Patent Classification (IPC) or to both national classification and IPC

**B. FIELDS SEARCHED**  
Minimum documentation searched (classification system followed by classification symbols)  
IPC(8) - A61B 1/32 (2007.01)  
USPC - 600/213

Documentation searched other than minimum documentation to the extent that such documents are included in the fields searched  
USPC - 600/184, 201, 208, 210, 213 - 222.  
(Text Search)

Electronic data base consulted during the international search (name of data base and, where practicable, search terms used)  
PubWEST (PGPB, USPT, USOC, EPAB, JPAB); PubMed; DialogPRO (Engineering) And Google Scholar.  
Search Terms: retractor, extension, attachment, surgical, spacer, filler, reduce, prevent, hernia, creep, contact, connect, tool, device, instrument, slot, clip, extension member, mount, post, applicator, aperture, applicator tool

**C. DOCUMENTS CONSIDERED TO BE RELEVANT**

| Category* | Citation of document, with indication, where appropriate, of the relevant passages   | Relevant to claim No.                               |
|-----------|--|---|
| Y         | US 2003/0013941 A1 (COHN et al.) 16 January 2003 (16.01.2003), fig.1; para [0007], [0014], [0016], [0040].                               | 1-57, 59-69   |
| Y         | US 2003/0225416 A1 (BONVALLET et al.) 03 December 2003 (03.12.2003), fig 2; para [0063], [0064], [0067], [0077], [0082], [0107], [0109]. | 1-57, 59-69   |
| Y         | US 2002/0193809 A1 (MEADE et al.) 19 December 2002 (19.12.2002), para [0066].  | 1-43, 53-57, 59-62, 67-69                           |
| Y         | US 6,364,833 B1 (VALERIO et al.) 02 April 2002 (02.04.2002), fig 4B, 4C; col 7, ln 42 - 48.  | 2-4, 15 -17 and 39, 63-66                           |
| Y         | US 6,206,828 B1 (WRIGHT) 27 March 2001 (27.03.2001), claim 7; col 2, ln 8 - 11; col 3, ln 47 - 52.                                       | 8-9, 21-22 , 27-29, 38, 43-52, 54-55, 57, 59-62, 65 |
| Y         | US 6,296,609 B1 (BRAU) 02 October 2001 (02.10.2001), col 6, ln 1 - 35.   | 11, 24, 56  |
| Y         | US 6,210,325 B1 (BARTIE et al.) 03 April 2001 (03.04.2001) col 1, ln 58 - 61.  | 26, 51, 61, 64                                      |
| Y         | US 5,843,097 A (Mayenberger et al.) 01 December 1998 (01.12.1998), col 2, ln 66 - 67; col 3, 1 - 16.                                     | 33, 41, 42, 43,                                     |
| Y         | US 2002/0026101 A1 (Bookwalter et al.) 28 February 2002 (28.02.2002), para [0027].   | 34, 42  |
| Y         | US 4,578,060 A (HUCK et al.) 25 March 1986 (25.03.1986), col 6, ln 60 - 67.  | 67 - 69   |

Further documents are listed in the continuation of Box C.

|   |  |
|---|--|
| * Special categories of cited documents:  | "T" later document published after the international filing date or priority date and not in conflict with the application but cited to understand the principle or theory underlying the invention  |
| "A" document defining the general state of the art which is not considered to be of particular relevance  | "X" document of particular relevance; the claimed invention cannot be considered novel or cannot be considered to involve an inventive step when the document is taken alone   |
| "E" earlier application or patent but published on or after the international filing date   | "Y" document of particular relevance; the claimed invention cannot be considered to involve an inventive step when the document is combined with one or more other such documents, such combination being obvious to a person skilled in the art |
| "L" document which may throw doubts on priority claim(s) or which is cited to establish the publication date of another citation or other special reason (as specified) | "&" document member of the same patent family  |
| "O" document referring to an oral disclosure, use, exhibition or other means  |  |
| "P" document published prior to the international filing date but later than the priority date claimed  |  |

|  |  |
|--|--|
| Date of the actual completion of the international search<br>09 July 2007 (09.07.2007) | Date of mailing of the international search report<br><b>24 SEP 2007</b> |
|--|--|

|   |  |
|---|--|
| Name and mailing address of the ISA/US<br>Mail Stop PCT, Attn: ISA/US, Commissioner for Patents<br>P.O. Box 1450, Alexandria, Virginia 22313-1450<br>Facsimile No. 571-273-3201 | Authorized officer:<br>Lee W. Young<br><br>PCT Helpdesk: 571-272-4300<br>PCT OSP: 571-272-7774 |
|---|--|

**INTERNATIONAL SEARCH REPORT**

International application No.

PCT/US 06/23408

| C (Continuation). DOCUMENTS CONSIDERED TO BE RELEVANT |  |                       |
|---|--|-----------------------|
| Category*   | Citation of document, with indication, where appropriate, of the relevant passages | Relevant to claim No. |
| Y   | US 5,353,784 A (NADY-MOHAMED) 11 October 1994 (11.10.1994), para [0069].           | 69                    |