



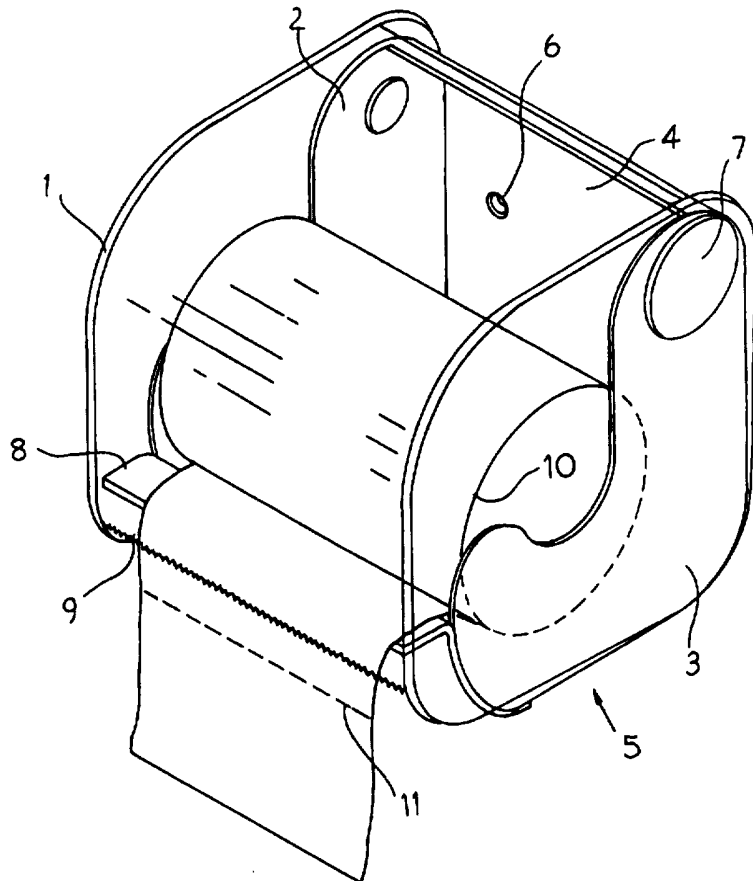
INTERNATIONAL APPLICATION PUBLISHED UNDER THE PATENT COOPERATION TREATY (PCT)

<p>(51) International Patent Classification ⁶ : A47K 10/38, 10/16</p>	<p>A1</p>	<p>(11) International Publication Number: WO 96/21388 (43) International Publication Date: 18 July 1996 (18.07.96)</p>
<p>(21) International Application Number: PCT/AU96/00014 (22) International Filing Date: 11 January 1996 (11.01.96) (30) Priority Data: PN 0480 11 January 1995 (11.01.95) AU PN 3919 30 June 1995 (30.06.95) AU (71)(72) Applicant and Inventor: SULLIVAN, Susan, Patricia [AU/AU]; 47 Kurrajong Drive, Thornlie, W.A. 6108 (AU).</p>	<p>(81) Designated States: AL, AM, AT, AU, AZ, BB, BG, BR, BY, CA, CH, CN, CZ, DE, DK, EE, ES, FI, GB, GE, HU, IS, JP, KE, KG, KP, KR, KZ, LK, LR, LS, LT, LU, LV, MD, MG, MK, MN, MW, MX, NO, NZ, PL, PT, RO, RU, SD, SE, SG, SI, SK, TJ, TM, TR, TT, UA, UG, US, UZ, VN, ARIPO patent (KE, LS, MW, SD, SZ, UG), Eurasian patent (AZ, BY, KZ, RU, TJ, TM), European patent (AT, BE, CH, DE, DK, ES, FR, GB, GR, IE, IT, LU, MC, NL, PT, SE), OAPI patent (BF, BJ, CF, CG, CI, CM, GA, GN, ML, MR, NE, SN, TD, TG).</p> <p>Published <i>With international search report. Before the expiration of the time limit for amending the claims and to be republished in the event of the receipt of amendments.</i></p>	

(54) Title: PERSONAL HYGIENE PACKAGE

(57) Abstract

A personal hygiene package for use in dispensing sheets of moist paper from a pre-moistened toilet roll for use in cleaning human skin, the personal hygiene package comprising a dispenser having a lid (1) which opens to allow the toilet roll (10) to be inserted into it, a severing edge (8) located so that a lip (9) of the lid (1) closes over the severing edge (8) when the lid (1) is in a closed position for allowing severing of the toilet roll (10) into sheets (11) and the lid (1) also being disposed to substantially maintain the humidity within the dispenser so that the moisture of the toilet roll (10) is maintained.



FOR THE PURPOSES OF INFORMATION ONLY

Codes used to identify States party to the PCT on the front pages of pamphlets publishing international applications under the PCT.

AM	Armenia	GB	United Kingdom	MW	Malawi
AT	Austria	GE	Georgia	MX	Mexico
AU	Australia	GN	Guinea	NE	Niger
BB	Barbados	GR	Greece	NL	Netherlands
BE	Belgium	HU	Hungary	NO	Norway
BF	Burkina Faso	IE	Ireland	NZ	New Zealand
BG	Bulgaria	IT	Italy	PL	Poland
BJ	Benin	JP	Japan	PT	Portugal
BR	Brazil	KE	Kenya	RO	Romania
BY	Belarus	KG	Kyrgyzstan	RU	Russian Federation
CA	Canada	KP	Democratic People's Republic of Korea	SD	Sudan
CF	Central African Republic	KR	Republic of Korea	SE	Sweden
CG	Congo	KZ	Kazakhstan	SG	Singapore
CH	Switzerland	LI	Liechtenstein	SI	Slovenia
CI	Côte d'Ivoire	LK	Sri Lanka	SK	Slovakia
CM	Cameroon	LR	Liberia	SN	Senegal
CN	China	LT	Lithuania	SZ	Swaziland
CS	Czechoslovakia	LU	Luxembourg	TD	Chad
CZ	Czech Republic	LV	Latvia	TG	Togo
DE	Germany	MC	Monaco	TJ	Tajikistan
DK	Denmark	MD	Republic of Moldova	TT	Trinidad and Tobago
EE	Estonia	MG	Madagascar	UA	Ukraine
ES	Spain	ML	Mali	UG	Uganda
FI	Finland	MN	Mongolia	US	United States of America
FR	France	MR	Mauritania	UZ	Uzbekistan
GA	Gabon			VN	Viet Nam

TITLE**PERSONAL HYGIENE PACKAGE****FIELD OF THE INVENTION**

5 The present invention relates to a moist toilet roll and holder for use in assisting in personal hygiene when using a toilet.

BACKGROUND OF THE INVENTION

10 I was unable to purchase in the market place a moist toilet roll and holder to satisfy my needs. Paper toilet rolls in the main, are harsh on human skin. They cause irritation, rash and inflammation and fall a long way short of complete cleanliness. The reason for this invention is so that a person can feel positively clean after going to the toilet.

15 I discovered that when I get up in the morning and have a shower, then need to go to the toilet and use the existing toilet paper, I DO NOT feel clean. Also the use of the toilet paper leaves me with a rash due to its roughness. I feel I need to have another shower, or at least go to the bathroom and have a wash which for me and anyone else is *degrading*. If you go to the toilet you should be able to feel clean before leaving the toilet. If you are at work or visiting friends in their home, this second option is not possible. The **NEED** for my **INVENTION IS GREAT**. Since I have been using my prototype invention (10 **MONTHS**). I no longer have a problem because of the softness of the moist material which leaves me feeling hygienically clean, refreshed and comfortable at all times and there is no sign of inflammation or a rash.

SUMMARY OF THE INVENTION

25 Therefore it is an object of the present invention to provide a Personal Hygiene Package for use in increasing cleanliness after using a toilet.

In accordance with one aspect of the present invention there is provided a personal hygiene package for use in dispensing sheets of moist paper from a toilet roll for the use in cleaning human skin, the personal hygiene package having:

30 a dispenser having a lid which opens to allow the toilet roll to be inserted into it, a severing edge located so that a lip of the lid closes over the severing edge when the lid is in a closed position for allowing severing of the toilet roll into sheets, and the lid also being disposed to substantially maintain the humidity within the dispenser so that the moisture of the toilet roll is
35 maintained.

BRIEF DESCRIPTION OF THE DRAWINGS

An exemplary embodiment of the present invention will now be described with reference to the accompanying drawings, which are:-

5 Figure 1 is perspective view, seen from above, of a personal hygiene package in accordance with the present invention; and,

Figure 2 is a cross-sectional side view of a part of a severing lip and serrated edge of the package of Figure 1.

DETAILED DESCRIPTION OF PREFERRED EMBODIMENTS

10 The personal hygiene package comprises a dispenser and a pre-moistened toilet roll (10).

The dispenser is preferably moisture-proof (although not necessarily airtight). The dispenser has a lid 1, a left side 2, a right side 3, a back 4, a base 5, mounting holes 6, pivots 7, a severing lip 8, and a serrated edge 9.

15 Typically, the lid 1 is transparent, to show the amount of the toilet roll 10 which remains to be used, and the remainder of the dispenser is opaque. The back 4 has the two screw holes 6 to enable the dispenser to be affixed to the toilet/ensuite vertical wall. The left side 2 and the right side 3 of the dispenser are attached to the lid 1 by the pivots 7 to allow the lid to open and close to allow a new pre-moistened toilet roll 10 to be inserted into it. The lip 20 8 is disposed upwardly of the base 5 to meet with the lid 1 as shown in Figure 2 so as to act as a seal to ensure that the humidity is retained within the dispenser thus inhibiting the pre-moistened toilet roll 10 from drying out. The lid 1 typically has a serrated edge 9 for providing a drag on the toilet roll 10 as it is pulled out of the dispenser, as described hereinafter. It is to be understood that it is not essential for the lid 1 to have the serrated edge 9 and 25 that the severing of the toilet roll 10 into sheets will occur even without the serrations. What is important is that there be an overlap of the edge 9 of the lid 1 and the lip 8 of the base 5.

30 The pre-moistened toilet roll 10 is made of a plurality of sheets 11, such as, for example, 220 sheets 11, each having a typical size of 100 mm x 110 mm. The sheets 11 are conveniently joined by serrations so as to allow the sheets 11 to separate upon hand pulling (similar to that of conventional non-moisturised toilet paper). The sheets 11 are preferably made from a biodegradable material. The sheets 11 could be made of material such as 35 material as cellulose wadding or the like. Typically the sheets 11 chemically treated with

(a) canestan - recommended by the medical profession for patients suffering with thrush in the vaginal area;

(b) aloe vera;

40 (c) lanolin;

(d) vitamin E; and/or

(e) other ingredients related to moisturised material for the purpose of perfumery and softening agents, etc.

5 Typically, the toilet roll 10 does not have a spindle so as to allow the toilet roll 10 to rest on the base 5 and thus soak up any condensation that takes place there.

10 Modifications and variations such as would be apparent to a skilled addressee are considered within the scope of the present invention. For example, a spindle could be added to the roll 10 to assist in maintaining the flatness of the sheets 11 of moistened paper as they are removed - even down to the last sheets 11. The container could be made from - plastic, acrylic, china, powder coated metal or injection moulding etc. It is also envisaged that a larger version of the container and moist roll could be used in kitchens - as hand towels.

CLAIMS

1. A personal hygiene package for use in dispensing sheets of moist paper from a toilet roll for the use in cleaning human skin, the personal hygiene package having:
 - 5 a dispenser having a lid which opens to allow the toilet roll to be inserted into it, a severing edge located so that a lip of the lid closes over the severing edge when the lid is in a closed position for allowing severing of the toilet roll into sheets, and the lid also being disposed to substantially maintain the humidity within the dispenser so that the moisture of the toilet roll is
10 maintained.
2. A personal hygiene package according to Claim 1, in which the dispenser has a base with a lip, the lip being disposed so that the severing edge of the lip is located proximate it when in the closed position, so that the sheets of the toilet roll can be severed and so that the dispenser is
15 substantially moisture retentive.

1/1

Fig. 1.

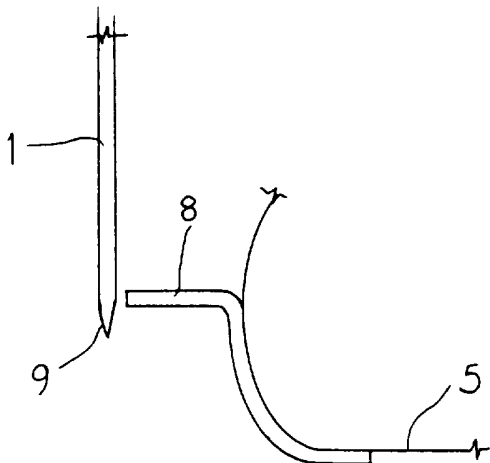
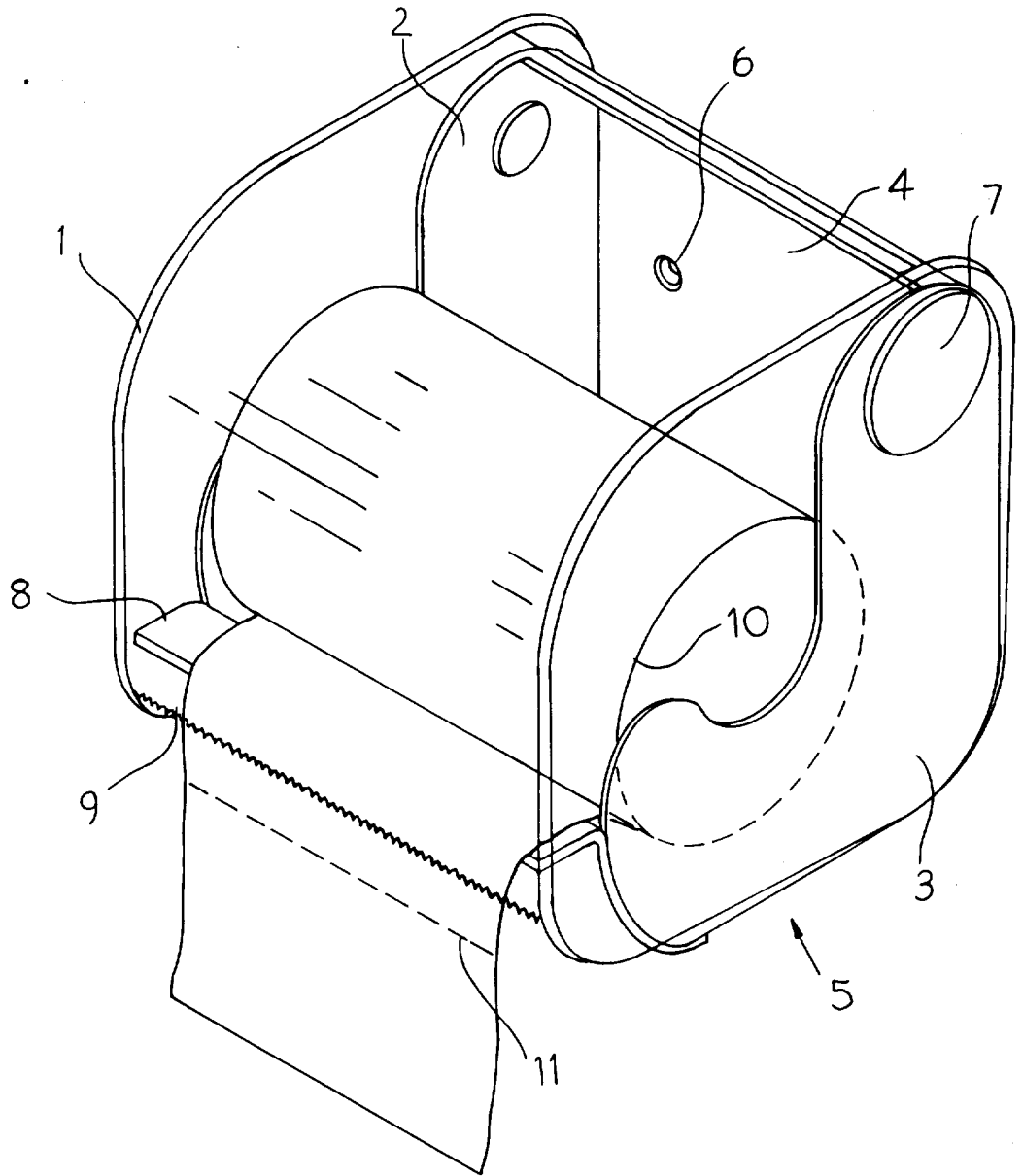
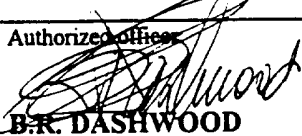


Fig. 2.

INTERNATIONAL SEARCH REPORT

International Application No.
PCT/AU 96/00014

A. CLASSIFICATION OF SUBJECT MATTER		
Int Cl ⁶ : A47K 10/38, 10/16		
According to International Patent Classification (IPC) or to both national classification and IPC		
B. FIELDS SEARCHED		
Minimum documentation searched (classification system followed by classification symbols) IPC : A47K 10/38; 10/16		
Documentation searched other than minimum documentation to the extent that such documents are included in the fields searched AU : IPC as above		
Electronic data base consulted during the international search (name of data base and, where practicable, search terms used)		
C. DOCUMENTS CONSIDERED TO BE RELEVANT		
Category*	Citation of document, with indication, where appropriate, of the relevant passages	Relevant to claim No.
X	US 3368522 A (Cordis) 13 February 1968 see whole document	1, 2
X	US 3592161 A (Hoffman) 13 July 1971 see whole document	1, 2
X	DT 2409200 A (Brunhorn) 11 September 1975 see whole document	1, 2
<input checked="" type="checkbox"/> Further documents are listed in the continuation of Box C <input checked="" type="checkbox"/> See patent family annex		
* Special categories of cited documents: "A" document defining the general state of the art which is not considered to be of particular relevance "E" earlier document but published on or after the international filing date "L" document which may throw doubts on priority claim(s) or which is cited to establish the publication date of another citation or other special reason (as specified) "O" document referring to an oral disclosure, use, exhibition or other means "P" document published prior to the international filing date but later than the priority date claimed "T" later document published after the international filing date or priority date and not in conflict with the application but cited to understand the principle or theory underlying the invention "X" document of particular relevance; the claimed invention cannot be considered novel or cannot be considered to involve an inventive step when the document is taken alone "Y" document of particular relevance; the claimed invention cannot be considered to involve an inventive step when the document is combined with one or more other such documents, such combination being obvious to a person skilled in the art "&" document member of the same patent family		
Date of the actual completion of the international search 24 April 1996		Date of mailing of the international search report 8 MAY 1996 (08.05.96)
Name and mailing address of the ISA/AU AUSTRALIAN INDUSTRIAL PROPERTY ORGANISATION PO BOX 200 WODEN ACT 2606 AUSTRALIA Facsimile No.: (06) 285 3929		Authorized officer  B.R. DASHWOOD Telephone No.: (06) 283 2121

INTERNATIONAL SEARCH REPORT

International Application No.

PCT/AU 96/00014

C (Continuation)		DOCUMENTS CONSIDERED TO BE RELEVANT
Category*	Citation of document, with indication, where appropriate, of the relevant passages	Relevant to claim No.
X	EP 89933 A (QTS SRL) 28 September 1983 see whole document	1,2
Y	see whole document	1,2
X	GB 1488946 A (Paclene) 19 October 1977 see whole document	1,2
Y	see whole document	1,2
X	GB 799084 A (Carrara and Matta) 30 July 1958 see whole document	1,2
Y	see whole document	1,2
X	GB 514160 A (Lebrecht) 1 November 1939 see whole document	1,2
Y	see whole document	1,2
X	GB 387571 A (Brookes and Adams) 2 March 1933 see whole document	1,2
Y	see whole document	1,2
X	US 2893616 A (Stell) 7 July 1959 see whole document	1,2
Y	see whole document	1,2
X	US 2592955 A (Roddan) 15 April 1952 see whole document	1,2
Y	see whole document	1,2
X	US 213 2177 A (Mezoff) 4 October 1938 see whole document	1,2
Y	see whole document	1,2
X	DT 1234581 A (Friedrich) 16 February 1967 see whole document	1,2
Y	see whole document	1,2
X	DT 1511440 A (Hauke) 28 August 1969 see whole document	1,2
Y	see whole document	1,2
Y	AU 33466/71 A (Chard) 22 March 1973 see whole document	1,2
Y	AU 32177/78 B (508516) (Proctor and Gamble) 12 July 1979 see whole document	1,2
Y	AU 28765/77 B (497647) (Colgate-Palmolive) 8 December 1977 see whole document	1,2
Y	FR 2659215 A (Ashraf-Mahtab) 13 September 1991 see whole document	1,2

INTERNATIONAL SEARCH REPORT

International Application No.
PCT/ AU 96/00014

C (Continuation) DOCUMENTS CONSIDERED TO BE RELEVANT		
Category*	Citation of document, with indication, where appropriate, of the relevant passages	Relevant to claim No.
Y	EP 186208 A (PWA Waldhof) 2 July 1986 see whole document	1,2
Y	EP 365726 A (Scott Paper) 2 May 1990 see whole document	1,2
Y	Derwent Abstract Accession no. 93-003386/01, Classs P28, JP 04-329913 A (Sanyo) 18 November 1992	1,2
Y	Derwent Abstract Accession no. 92-069871/09, Classs P28, JP 04-015021 A (Kao) 20 January 1992	1,2

INTERNATIONAL SEARCH REPORT

International Application No.

Information on patent family members

PCT/AU 96/00014

This Annex lists the known "A" publication level patent family members relating to the patent documents cited in the above-mentioned international search report. The Australian Patent Office is in no way liable for these particulars which are merely given for the purpose of information.

Patent Document Cited in Search Report		Patent Family Member					
EP	89933	IT	1152175	FR	2505759	GB	2098683
		US	4463562				
GB	1488946	AU	10511/76	BE	837820	CH	593196
		DE	2602168	DK	247/76	ES	444549
		FI	760149	FR	2298502	GR	58602
		HK	297/78	IN	142148	JP	51096696
		LU	74235	NL	7600674	NO	760205
		PT	64730	SE	7600638	ZA	7600380
EP	186208	DE	3447499				
EP	365726	US	4882221	US	4883475	AU	25026/88
END OF ANNEX							