

(19) World Intellectual Property Organization
International Bureau



(43) International Publication Date
1 November 2001 (01.11.2001)

PCT

(10) International Publication Number
WO 01/82394 A3

(51) International Patent Classification⁷: H02J 7/00

FI, GB, GD, GE, GH, GM, HR, HU, ID, IL, IN, IS, JP, KE, KG, KP, LS, LT, LU, LV, MD, MG, MK, MN, MW, MX, NO, NZ, PL, PT, RO, RU, SD, SE, SG, SI, SK, SL, TJ, TM, TR, TT, UA, UG, US, UZ, VN, YU, ZW.

(21) International Application Number: PCT/US01/40575

(22) International Filing Date: 20 April 2001 (20.04.2001)

(25) Filing Language: English

(26) Publication Language: English

(84) Designated States (regional): ARIPO patent (GH, GM, KE, LS, MW, MZ, SD, SL, SZ, TZ, UG, ZW), Eurasian patent (AM, AZ, BY, KG, KZ, MD, RU, TJ, TM), European patent (AT, BE, CH, CY, DE, DK, ES, FI, FR, GB, GR, IE, IT, LU, MC, NL, PT, SE, TR), OAPI patent (BF, BJ, CF, CG, CI, CM, GA, GN, GW, ML, MR, NE, SN, TD, TG).

(30) Priority Data:
09/557,058 21 April 2000 (21.04.2000) US

Published:
— with international search report
— before the expiration of the time limit for amending the claims and to be republished in the event of receipt of amendments

(71) Applicant and
(72) Inventor: HABA, Chaz [US/US]; 16760 Schoenborn Street, North Hills, CA 91343-6108 (US).

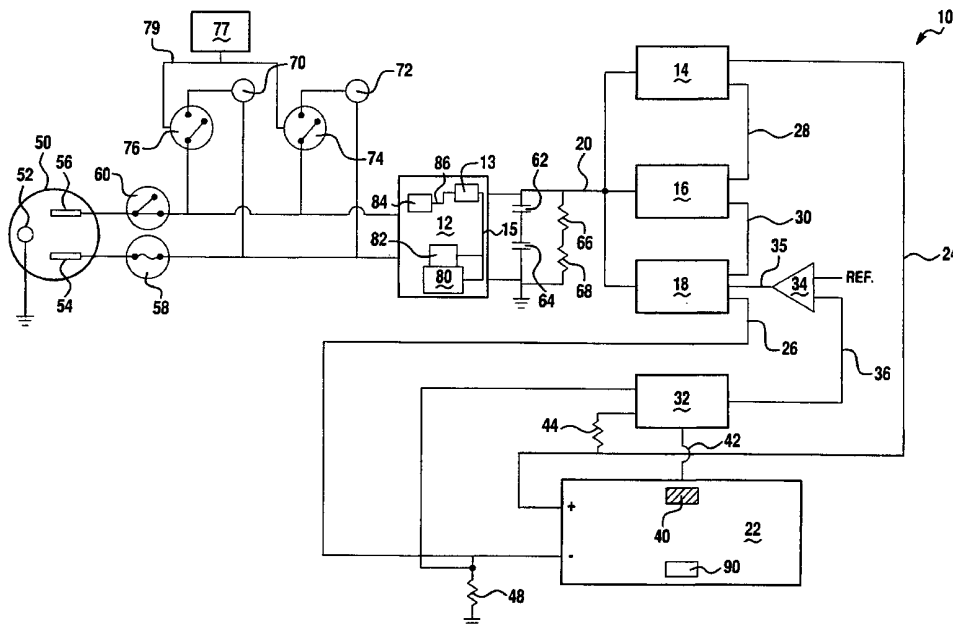
(74) Agent: CHUPA, John, G.; Suite 205, 31313 Northwestern Highway, Farmington Hills, MI 48334 (US).

(88) Date of publication of the international search report:
25 April 2002

(81) Designated States (national): AL, AM, AT, AU, AZ, BA, BB, BG, BR, BY, CA, CH, CN, CU, CZ, DE, DK, EE, ES,

For two-letter codes and other abbreviations, refer to the "Guidance Notes on Codes and Abbreviations" appearing at the beginning of each regular issue of the PCT Gazette.

(54) Title: CHARGER ASSEMBLY



(57) Abstract: A charger assembly (10) for use with a battery assembly (22). Charger assembly (10) includes a member (50) which is selectively and removably insertable into a conventional electrical power outlet, effective to allow electrical power to be communicated to the charger assembly (10). The communicated electrical power is selectively transferred to the battery assembly (22), effective to substantially and fully charge the battery assembly (22) in a manner which substantially reduces the likelihood of over-charging and in a manner which selectively allows a "float" or "trickle charge" to be provided to the battery assembly (22).

WO 01/82394 A3

INTERNATIONAL SEARCH REPORT

International Application No
PCT/US 01/40575

A. CLASSIFICATION OF SUBJECT MATTER
IPC 7 H02J/00

According to International Patent Classification (IPC) or to both national classification and IPC

B. FIELDS SEARCHED

Minimum documentation searched (classification system followed by classification symbols)
IPC 7 H02J H01M

Documentation searched other than minimum documentation to the extent that such documents are included in the fields searched

Electronic data base consulted during the international search (name of data base and, where practical, search terms used)
EPO-Internal, WPI Data

C. DOCUMENTS CONSIDERED TO BE RELEVANT

Category °	Citation of document, with indication, where appropriate, of the relevant passages	Relevant to claim No.
X A	US 5 867 006 A (DIAS ET AL.) 2 February 1999 (1999-02-02) abstract column 1, line 52 -column 2, line 16 column 2, line 38 -column 5, line 15 ---	1,2, 6-13,18 20
X	US 5 986 430 A (FERNANDEZ ET AL.) 16 November 1999 (1999-11-16) abstract column 2, line 9 -column 3, line 14; figures 1,2 ---	1,6,8, 10,13, 15,18
X	US 3 854 082 A (NASBY ET AL.) 10 December 1974 (1974-12-10) abstract column 3, line 18 -column 4, line 31; figures 1,2 ---	1-3, 10-12
	-/--	

Further documents are listed in the continuation of box C. Patent family members are listed in annex.

° Special categories of cited documents :

A document defining the general state of the art which is not considered to be of particular relevance

E earlier document but published on or after the international filing date

L document which may throw doubts on priority claim(s) or which is cited to establish the publication date of another citation or other special reason (as specified)

O document referring to an oral disclosure, use, exhibition or other means

P document published prior to the international filing date but later than the priority date claimed

T later document published after the international filing date or priority date and not in conflict with the application but cited to understand the principle or theory underlying the invention

X document of particular relevance; the claimed invention cannot be considered novel or cannot be considered to involve an inventive step when the document is taken alone

Y document of particular relevance; the claimed invention cannot be considered to involve an inventive step when the document is combined with one or more other such documents, such combination being obvious to a person skilled in the art.

& document member of the same patent family

Date of the actual completion of the international search 15 February 2002	Date of mailing of the international search report 25/02/2002
-----------------------------------------------------------------------------------	----------------------------------------------------------------------

Name and mailing address of the ISA European Patent Office, P.B. 5818 Patentlaan 2 NL - 2280 HV Rijswijk Tel. (+31-70) 340-2040, Tx. 31 651 epo nl, Fax: (+31-70) 340-3016	Authorized officer Beitner, M
----------------------------------------------------------------------------------------------------------------------------------------------------------------------------------------	--------------------------------------

INTERNATIONAL SEARCH REPORT

International Application No
PCT/US 01/40575

C.(Continuation) DOCUMENTS CONSIDERED TO BE RELEVANT		
Category °	Citation of document, with indication, where appropriate, of the relevant passages	Relevant to claim No.
X	US 4 399 396 A (HASE) 16 August 1983 (1983-08-16)	1,6,7
A	abstract column 5, line 10-24 column 5, line 53-65 column 7, line 48 -column 8, line 14; figures 1,2	19,20
A	---- US 4 209 736 A (REIDENBACH) 24 June 1980 (1980-06-24) abstract column 2, line 19-46 column 5, line 52 -column 6, line 53; figures 1,5,6	1,10,13
A	---- GB 2 322 486 A (SUPERIOR COMMUNICATION PRODUCTS INC.) 26 August 1998 (1998-08-26) abstract page 7, paragraph 2; figure 2	14
A	---- US 5 963 012 A (GARCIA ET AL.) 5 October 1999 (1999-10-05) abstract column 1, line 66 -column 3, line 52; figures 1-3	15,16
A	---- US 5 990 659 A (FRÄNNHAGEN) 23 November 1999 (1999-11-23) abstract column 1, line 48 -column 2, line 41; figure 1	15,17

INTERNATIONAL SEARCH REPORT

Information on patent family members

I. International Application No

PCT/US 01/40575

Patent document cited in search report	A	Publication date	Patent family member(s)	Publication date
US 5867006	A	02-02-1999	US 5694024 A US 5592069 A US 6018228 A	02-12-1997 07-01-1997 25-01-2000
US 5986430	A	16-11-1999	NONE	
US 3854082	A	10-12-1974	NONE	
US 4399396	A	16-08-1983	NONE	
US 4209736	A	24-06-1980	NONE	
GB 2322486	A	26-08-1998	US 5847545 A	08-12-1998
US 5963012	A	05-10-1999	NONE	
US 5990659	A	23-11-1999	NONE	