



US00D735255S

(12) **United States Design Patent**
Sickinger et al.

(10) **Patent No.:** **US D735,255 S**

(45) **Date of Patent:** **** Jul. 28, 2015**

(54) **HEATER DISH AND WAX CUP FOR
ELECTRIC WAX MELTING SYSTEM**

(71) Applicant: **The Yankee Candle Company, Inc.,**
South Deerfield, MA (US)

(72) Inventors: **Jonathan Sickinger**, South Hadley, MA
(US); **John E. Cagle**, Turners Falls, MA
(US)

(73) Assignee: **The Yankee Candle Company, Inc.,**
South Deerfield, MA (US)

(**) Term: **14 Years**

(21) Appl. No.: **29/477,622**

(22) Filed: **Dec. 24, 2013**

(51) **LOC (10) Cl.** **15-09**

(52) **U.S. Cl.**

USPC **D15/144.2**

(58) **Field of Classification Search**

USPC D7/323; D15/144, 144.1, 144.2

See application file for complete search history.

(56) **References Cited**

U.S. PATENT DOCUMENTS

D30,205 S *	2/1899	Stromm	D15/144
D53,484 S *	7/1919	Brille	D15/144
D69,806 S *	3/1926	Phare et al.	D15/144.1
D131,148 S *	1/1942	Schepman	D23/396
D150,358 S *	7/1948	Hobart et al.	D15/144
D179,334 S *	11/1956	Webster	D15/144.2
D193,891 S *	10/1962	Liptay	D15/144.1
3,638,673 A *	2/1972	Stanciu	137/205
D227,469 S *	6/1973	Pickard	D15/144.1
D234,403 S *	2/1975	Erickson	D15/144.1
D326,272 S *	5/1992	Nakao et al.	D15/144.1
5,324,098 A *	6/1994	Massa et al.	299/111
5,702,160 A *	12/1997	Levankovskii et al.	299/111
D409,634 S *	5/1999	Byerly et al.	D15/144.1
D412,513 S *	8/1999	Ooyabu	D15/144
6,199,956 B1 *	3/2001	Kammerer	299/111

6,375,272 B1 *	4/2002	Ojanen	299/111
6,428,111 B1 *	8/2002	Kammerer	299/113
D466,755 S *	12/2002	Henry	D7/323
D523,043 S *	6/2006	Conway et al.	D15/144
D525,273 S *	7/2006	Conway et al.	D15/144
D525,821 S *	8/2006	Latzman et al.	D7/355
7,315,691 B1 *	1/2008	Palkie et al.	392/441

(Continued)

Primary Examiner — Patricia Palasik

(74) *Attorney, Agent, or Firm* — Wilmer Cutler Pickering
Hale and Dorr LLP

(57) **CLAIM**

We claim the ornamental design for a heater dish and wax cup
for electric wax melting system, as shown and described.

DESCRIPTION

FIG. 1 is a top, front perspective view of the heater dish and
wax cup of the present invention inserted in a wax melting
system.

FIG. 2 is a top, front perspective view of the heater dish and
wax cup shown in FIG. 1.

FIG. 3 is a bottom, front left side perspective view of the
heater dish and wax cup shown in FIG. 1.

FIG. 4 is a top plan view of the heater dish and wax cup shown
in FIG. 1.

FIG. 5 is a bottom view of the heater dish and wax cup shown
in FIG. 1.

FIG. 6 is a front elevational view of the heater dish and wax
cup shown in FIG. 1, the rear view being a mirror image
thereof.

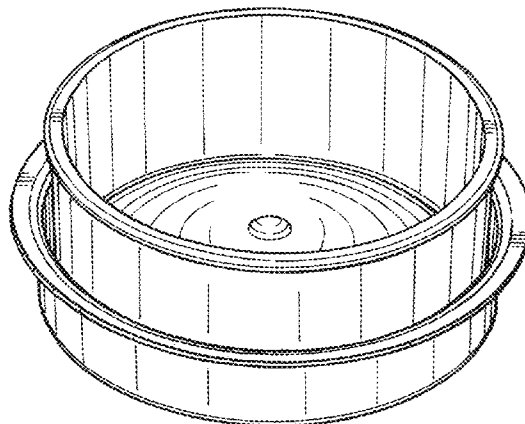
FIG. 7 is a left side elevational view of the heater dish and wax
cup shown in FIG. 1, the right side view being a mirror image
thereof.

FIG. 8 is an exploded perspective view of the heater dish and
wax cup shown in FIG. 1; and,

FIG. 9 is a cross-sectional view of the heater dish and wax cup
shown, taken along line 9-9 of FIG. 4.

The broken lines in the drawings depict unclaimed environ-
mental subject matter.

1 Claim, 6 Drawing Sheets



(56)

References Cited

U.S. PATENT DOCUMENTS

D627,039 S * 11/2010 Yu D23/260
8,012,389 B2 * 9/2011 Warnes et al. 264/115
8,084,718 B1 * 12/2011 Shotey et al. 219/428

D665,071 S * 8/2012 Goel et al. D23/386
D666,645 S * 9/2012 Sugiyama D15/144.2
D691,246 S * 10/2013 Ward D23/262
D703,794 S * 4/2014 Luke D23/262

* cited by examiner

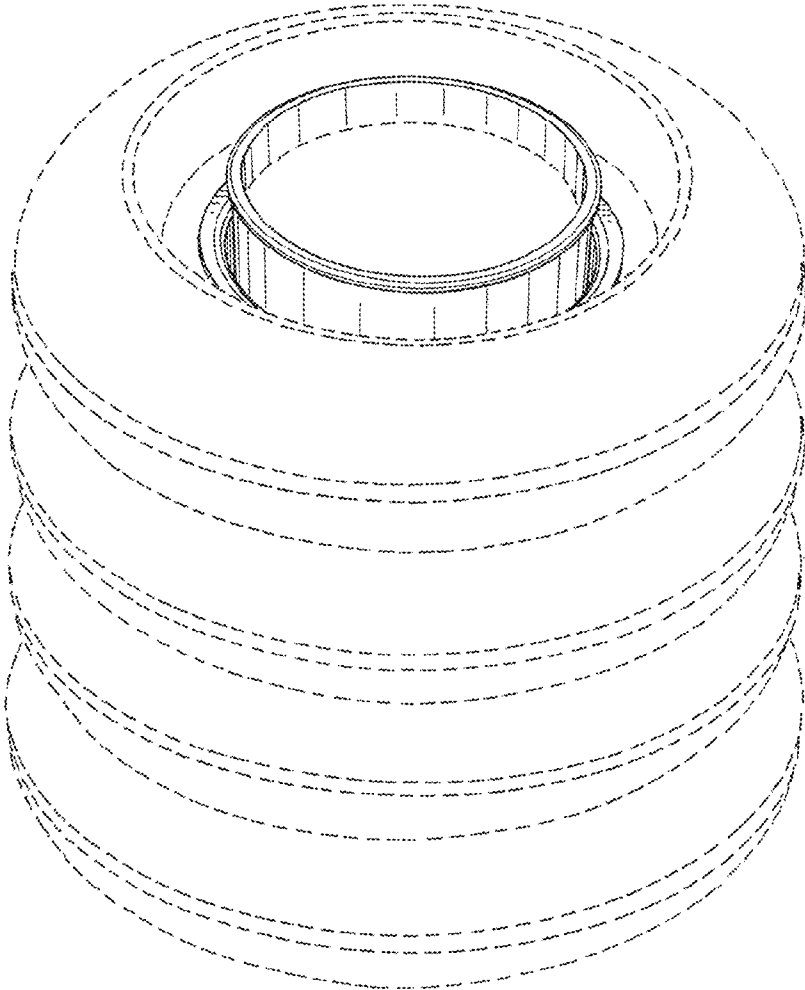


Fig. 1

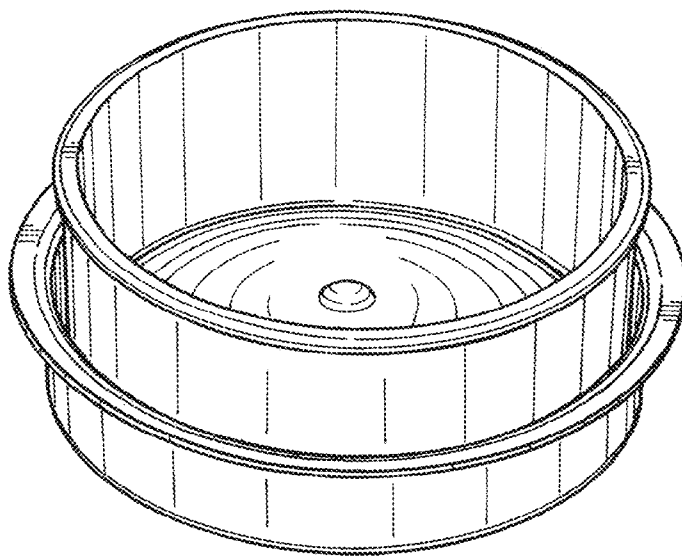


Fig. 2

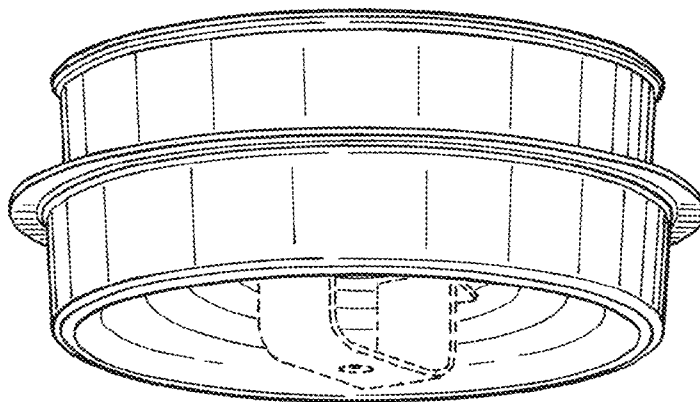


Fig. 3

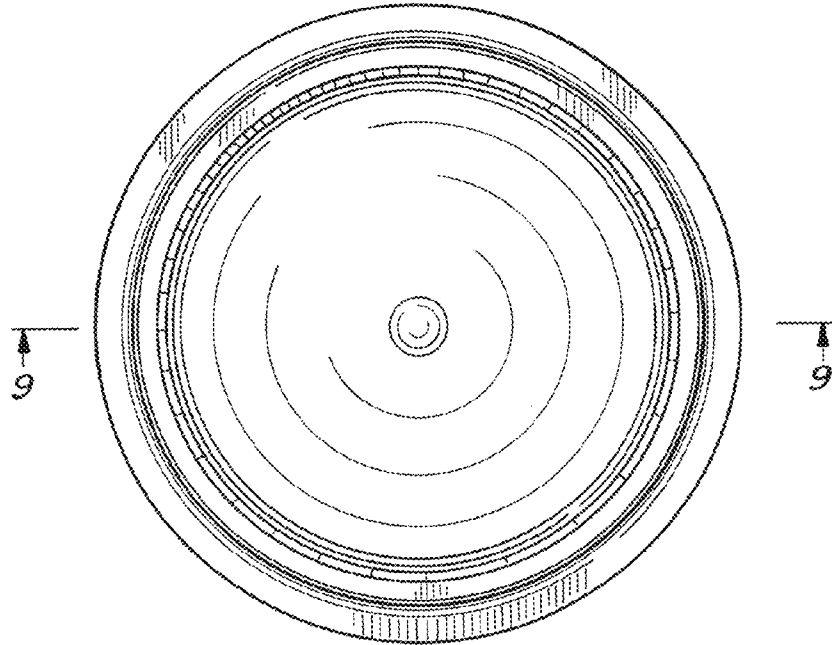


Fig. 4

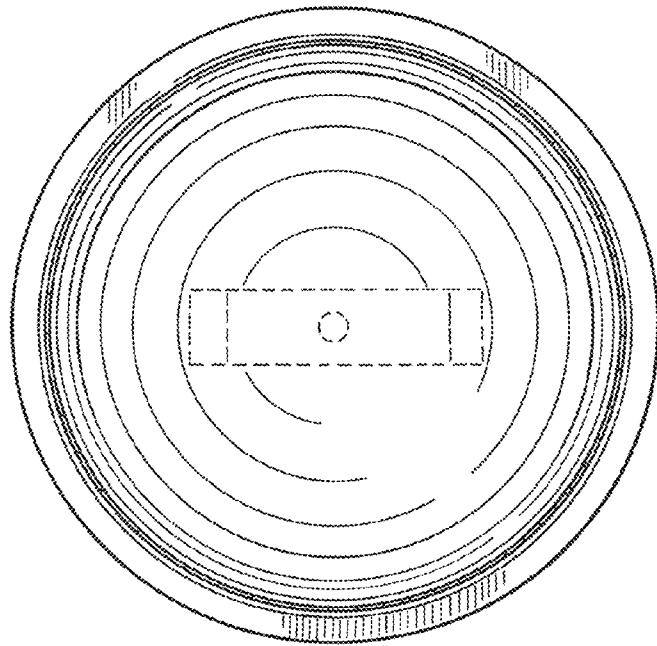


Fig. 5

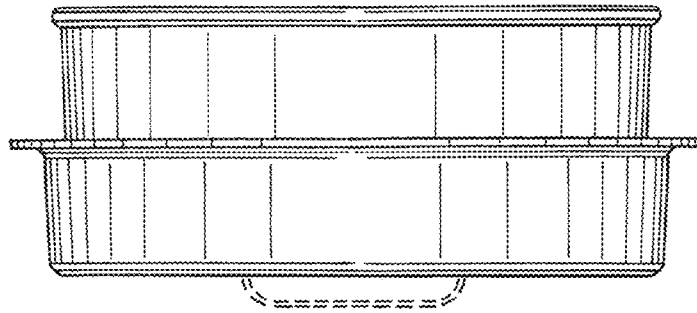


Fig. 6

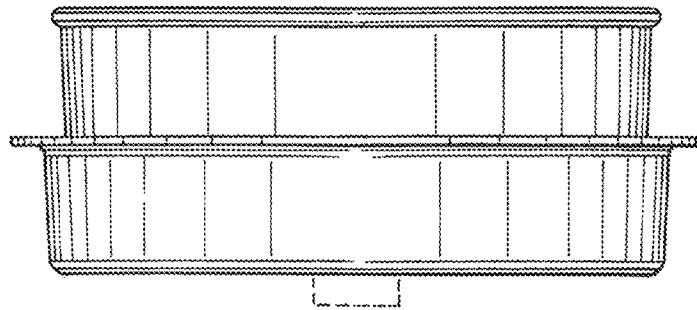


Fig. 7

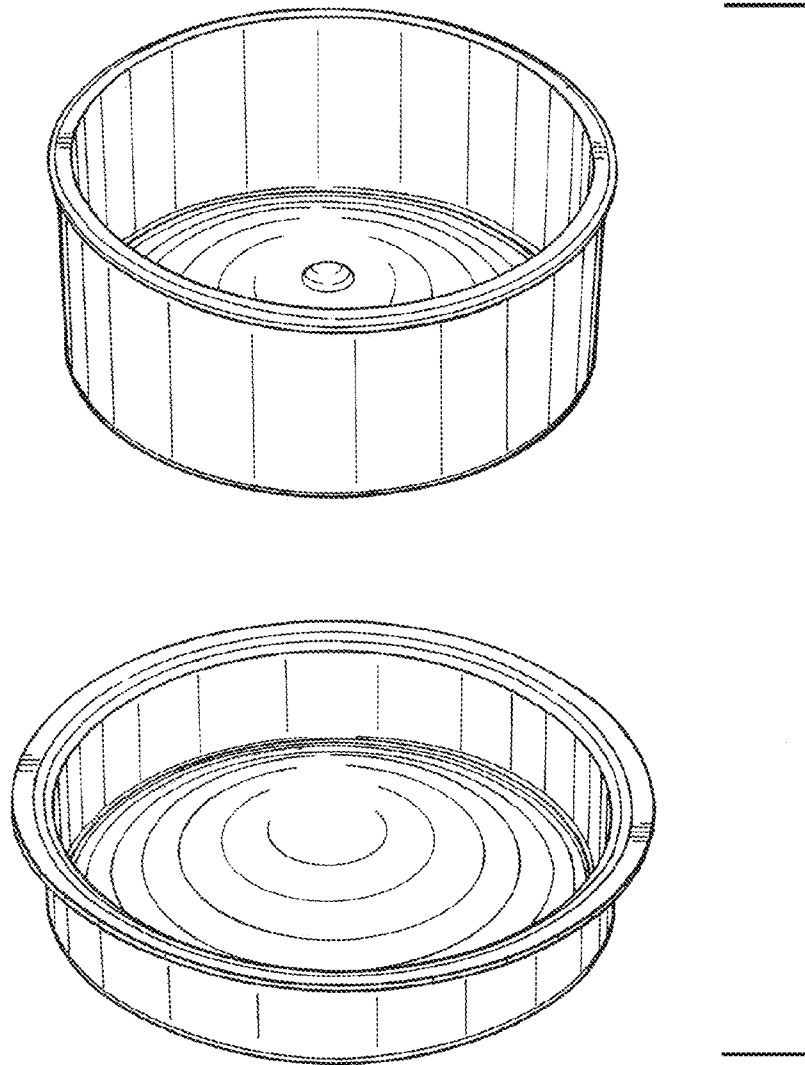


Fig. 8

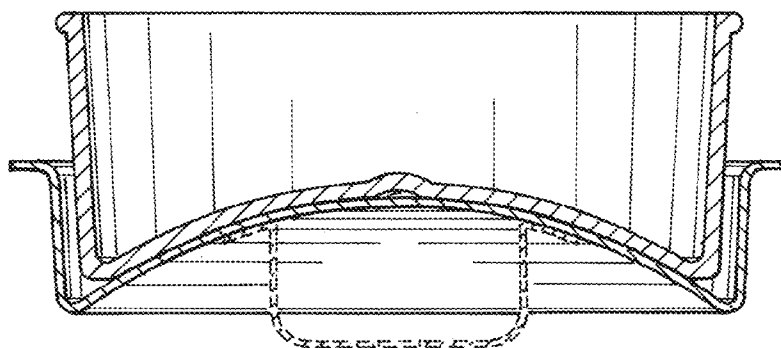


Fig. 9