



US00D781586S

(12) **United States Design Patent**
Reinhart

(10) **Patent No.:** **US D781,586 S**

(45) **Date of Patent:** **** Mar. 21, 2017**

- (54) **TOTE HANDLE**
- (71) Applicant: **Creative Plastic Concepts, LLC**,
Sycamore, OH (US)
- (72) Inventor: **Nickolas Reinhart**, Findlay, OH (US)
- (73) Assignee: **Creative Plastic Concepts, LLC**,
Sycamore, OH (US)
- (**) Term: **15 Years**

D358,765 S	5/1995	Dickinson et al.	
D361,511 S	8/1995	Dickinson et al.	
D376,259 S	12/1996	Dickinson et al.	
D394,157 S *	5/1998	Dickinson	D3/318
D427,769 S *	7/2000	Zimmerman	D3/273
D464,485 S *	10/2002	Sward	D3/273
D480,872 S	10/2003	Welsh et al.	

(Continued)

- (21) Appl. No.: **29/543,365**
- (22) Filed: **Oct. 23, 2015**

Target, "Sterilite Ultra 72OT/18 Gal Storage Bin", Accessed May 23, 2016. Reviewed 1853 Days Prior to citation. (<http://www.target.com/p/sterilite-ultra-72-qt-18-gal-storage-bin/-/A-15398167>).

Primary Examiner — Jennifer Rivard

Assistant Examiner — April Rivas

(74) *Attorney, Agent, or Firm* — Ward Law Office LLC;
Jacob M. Ward

Related U.S. Application Data

- (63) Continuation of application No. 29/496,483, filed on Jul. 14, 2014, now Pat. No. Des. 744,240.

(51) **LOC (10) Cl.** **03-01**

(52) **U.S. Cl.**

USPC **D3/318; D3/323**

(58) **Field of Classification Search**

USPC D3/905, 276–284, 291, 294, 295, 298,
D3/901, 302, 272, 273, 274, 903, 304,
D3/307–309, 315, 314, 310, 312, 318,
D3/321, 323; 206/372–379, 508;
220/523–528, 826, 844

CPC B62B 2206/006; B65D 1/22; B65D
2543/00194; B65D 21/0209; B65D
2543/00296; B65D 21/02

See application file for complete search history.

(56) **References Cited**

U.S. PATENT DOCUMENTS

3,987,829 A	10/1976	Leone	
5,042,674 A	8/1991	Ramsay et al.	
D326,345 S *	5/1992	Mandell	D3/312
D333,094 S	2/1993	Zutler	

(57) **CLAIM**

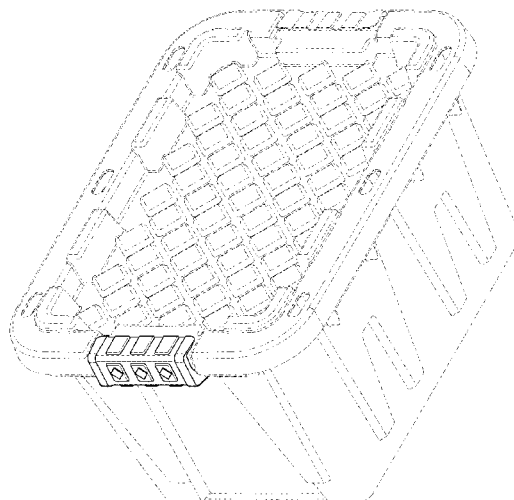
The ornamental design for a tote handle, as shown and described.

DESCRIPTION

FIG. 1 is a front perspective view of a tote handle;
FIG. 2 is a top plan view thereof;
FIG. 3 is a bottom plan view thereof;
FIG. 4 is a front elevational view thereof; and,
FIG. 5 is a left side elevational view thereof.

A rear elevational view is not shown because it is a mirror image of the front elevational view shown in FIG. 4. A right side elevational view is not shown because it is a mirror image of the left side elevational view shown in FIG. 5. The ornamental design which is claimed is shown in solid lines in the drawings. The broken lines in the figures depict environmental subject matter only and form no part of the claimed design.

1 Claim, 3 Drawing Sheets



(56)

References Cited

U.S. PATENT DOCUMENTS

D567,507	S	4/2008	Zimmerman	
D574,150	S	8/2008	Ross	
D578,758	S	10/2008	Stevens et al.	
D597,383	S	8/2009	Masterton et al.	
D606,306	S	12/2009	Monte	
D648,535	S	11/2011	Reinhart et al.	
D648,538	S	11/2011	Reinhart et al.	
D675,827	S	2/2013	Dunford	
D701,044	S	3/2014	Kishimoto	
D737,574	S *	9/2015	Reinhart	D3/318
D744,239	S *	12/2015	Reinhart	D3/302
D744,240	S *	12/2015	Reinhart	D3/302
2006/0254946	A1	11/2006	Becklin	
2010/0108556	A1	5/2010	Claffy	
2012/0125937	A1	5/2012	Ahlstrom et al.	
2015/0001120	A1	1/2015	Gaskell	

* cited by examiner

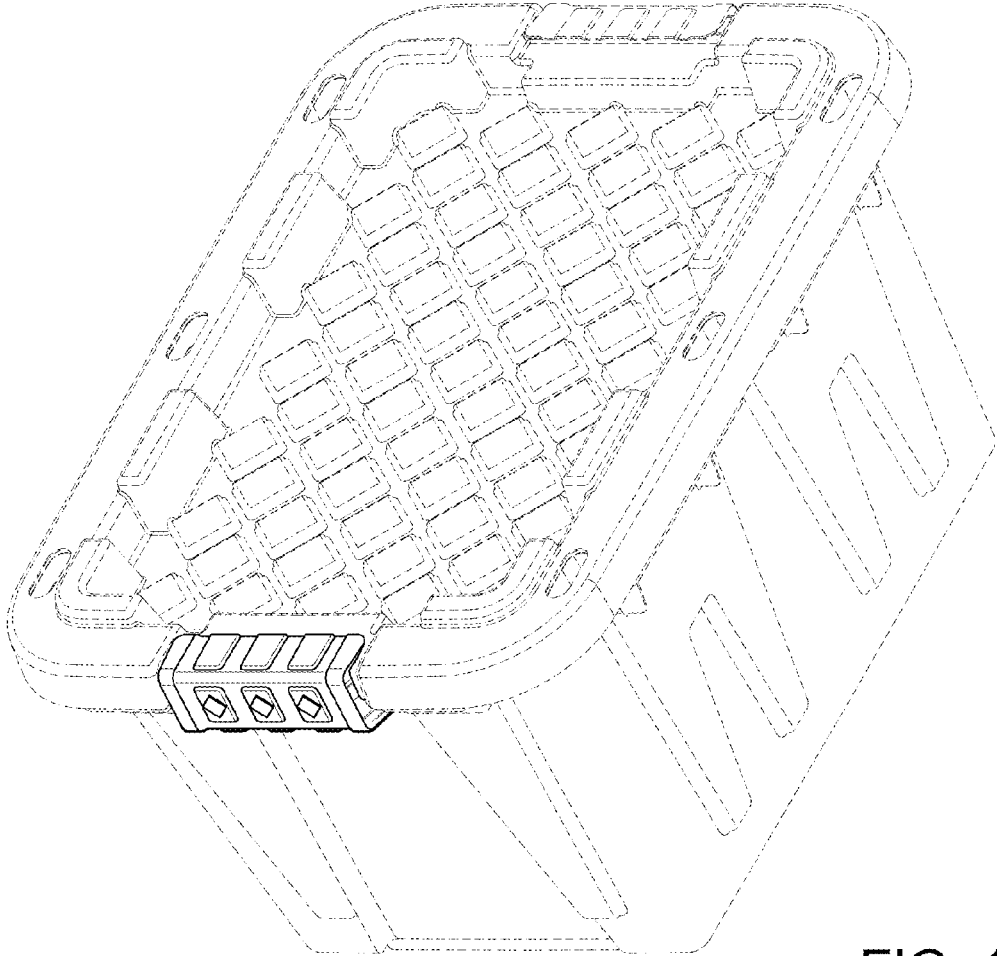


FIG. 1

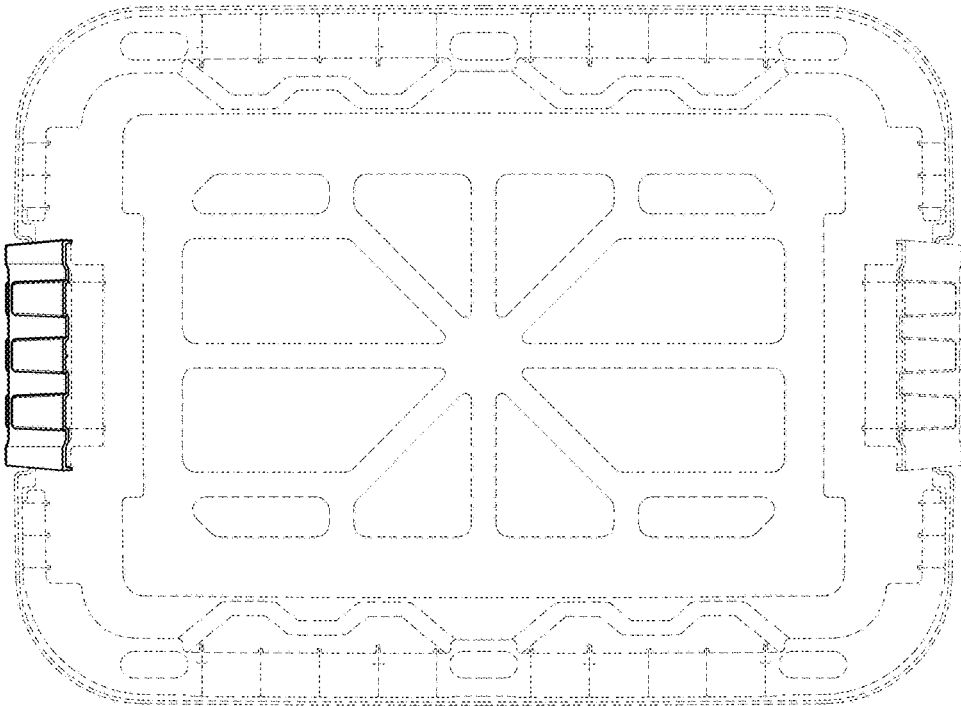


FIG. 3

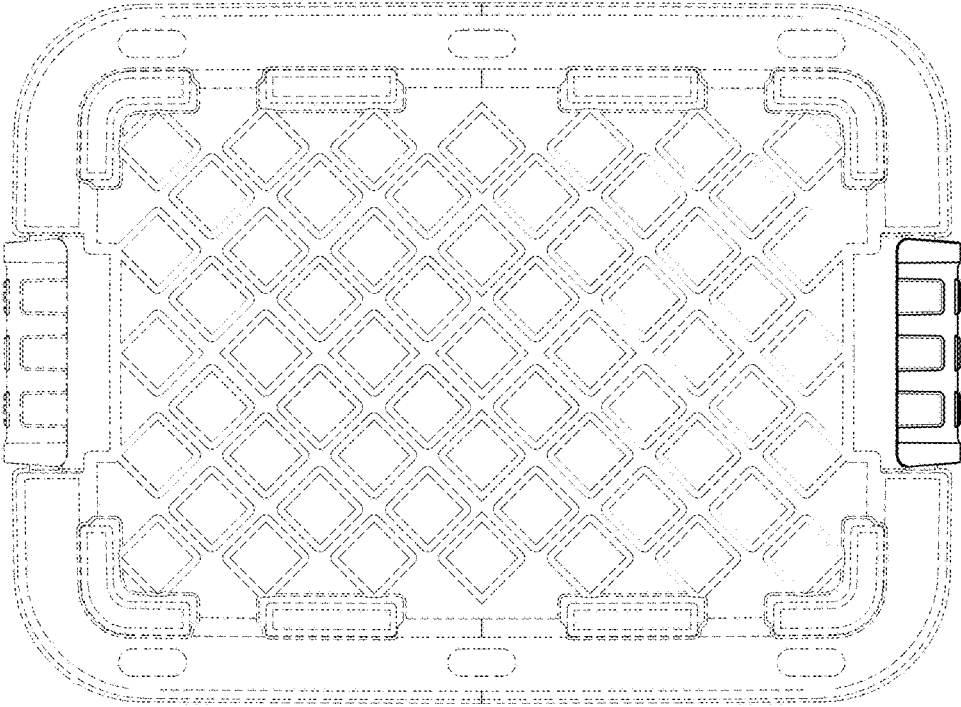


FIG. 2

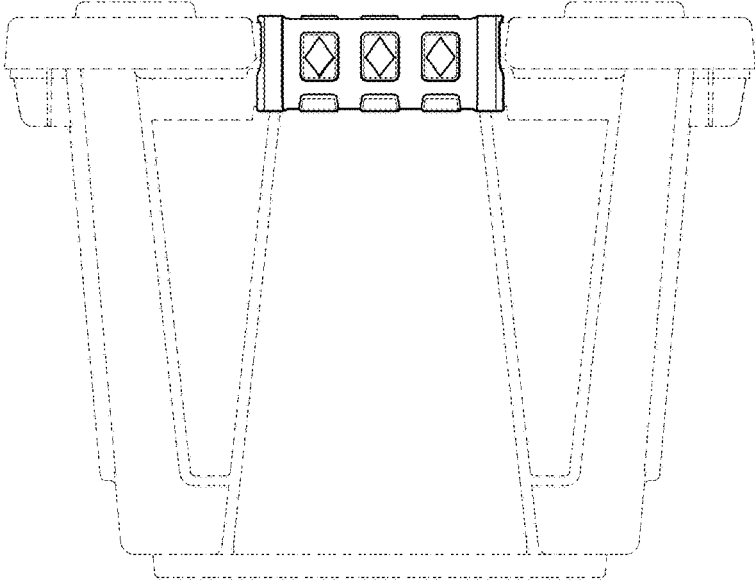


FIG. 4

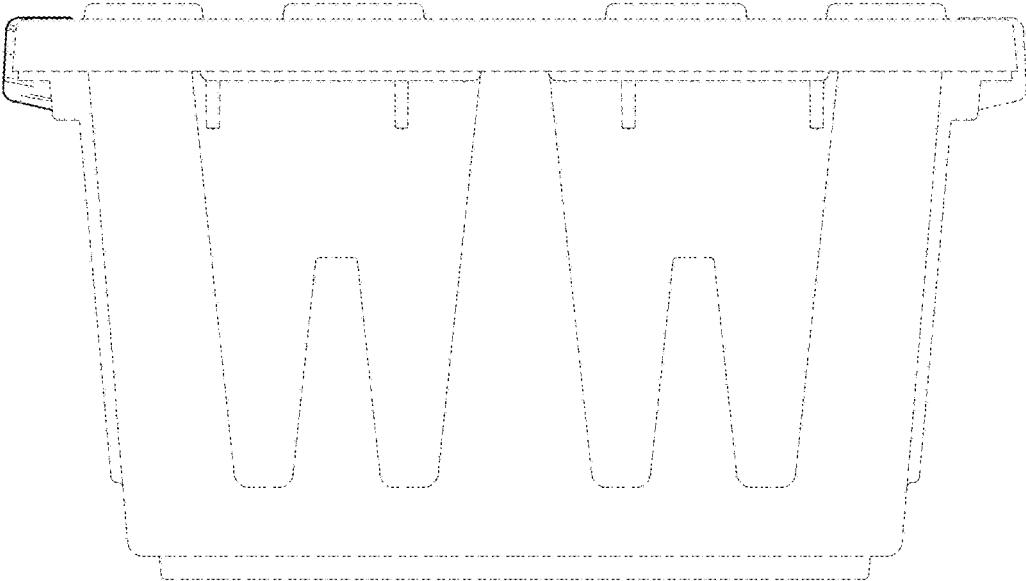


FIG. 5