

(12) **United States Design Patent** (10) **Patent No.:** **US D970,574 S**
Chen (45) **Date of Patent:** **** Nov. 22, 2022**

(54) **WATCH BOX** 8,714,813 B2 * 5/2014 Liao H02J 50/10
 320/108
 (71) Applicant: **Qiaohong Chen**, Nan'an (CN) D707,118 S * 6/2014 Au D9/418
 D722,633 S * 2/2015 Au D15/199
 (72) Inventor: **Qiaohong Chen**, Nan'an (CN) D931,924 S * 9/2021 Huang D15/199
 D932,532 S * 10/2021 Huang D15/199
 D939,005 S * 12/2021 Huang D15/199
 (**) Term: **15 Years** 2005/0254352 A1 * 11/2005 Wolf, V G04D 7/009
 368/206
 (21) Appl. No.: **29/798,033** 2007/0223319 A1 * 9/2007 Hill G04D 7/009
 368/206
 (22) Filed: **Jul. 5, 2021** 2010/0165798 A1 * 7/2010 Huang G04D 7/009
 368/206
 (51) **LOC (13) Cl.** **15-99**
 (52) **U.S. Cl.**
 USPC **D15/199**
 (58) **Field of Classification Search**
 USPC D3/273–294, 298; D9/414, 418, 420,
 D9/421, 423, 431–432; D15/199
 CPC ... G04B 5/00; G04B 5/04; G04D 7/00; G04D
 7/009
 See application file for complete search history.

* cited by examiner

Primary Examiner — Patricia A Palasik

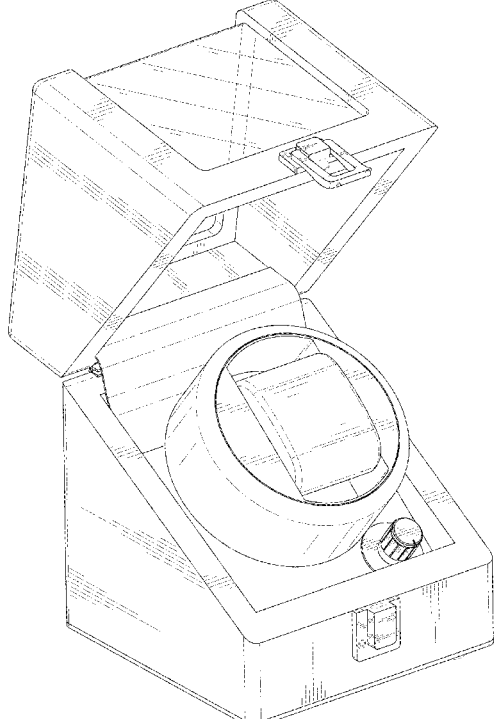
(57) **CLAIM**
 The ornamental design for a watch box, as shown and described.

DESCRIPTION

FIG. 1 is a perspective view of a watch box showing my new design;
 FIG. 2 is another perspective view thereof;
 FIG. 3 is a front elevational view thereof;
 FIG. 4 is a rear elevational view thereof;
 FIG. 5 is a left side elevational view thereof;
 FIG. 6 is a right side elevational view thereof;
 FIG. 7 is a top plan view thereof;
 FIG. 8 is a bottom plan view thereof; and,
 FIG. 9 is a perspective view of the watch box where the watch box is in a configuration of use.
 The broken lines in the drawings depict portions of the watch box that form no part of the claimed design.

1 Claim, 9 Drawing Sheets

(56) **References Cited**
 U.S. PATENT DOCUMENTS
 5,988,871 A * 11/1999 Bonnet G04B 3/006
 81/7.5
 D452,256 S * 12/2001 Wolf D15/199
 D513,568 S * 1/2006 Au G04D 7/009
 D3/294
 D556,227 S * 11/2007 Au D15/199
 7,575,367 B2 * 8/2009 Wolf, V G04D 7/009
 81/7.5
 D607,028 S * 12/2009 Subilia D15/199
 7,927,009 B2 * 4/2011 Huang G04D 7/009
 439/701
 D658,696 S * 5/2012 Au D15/199



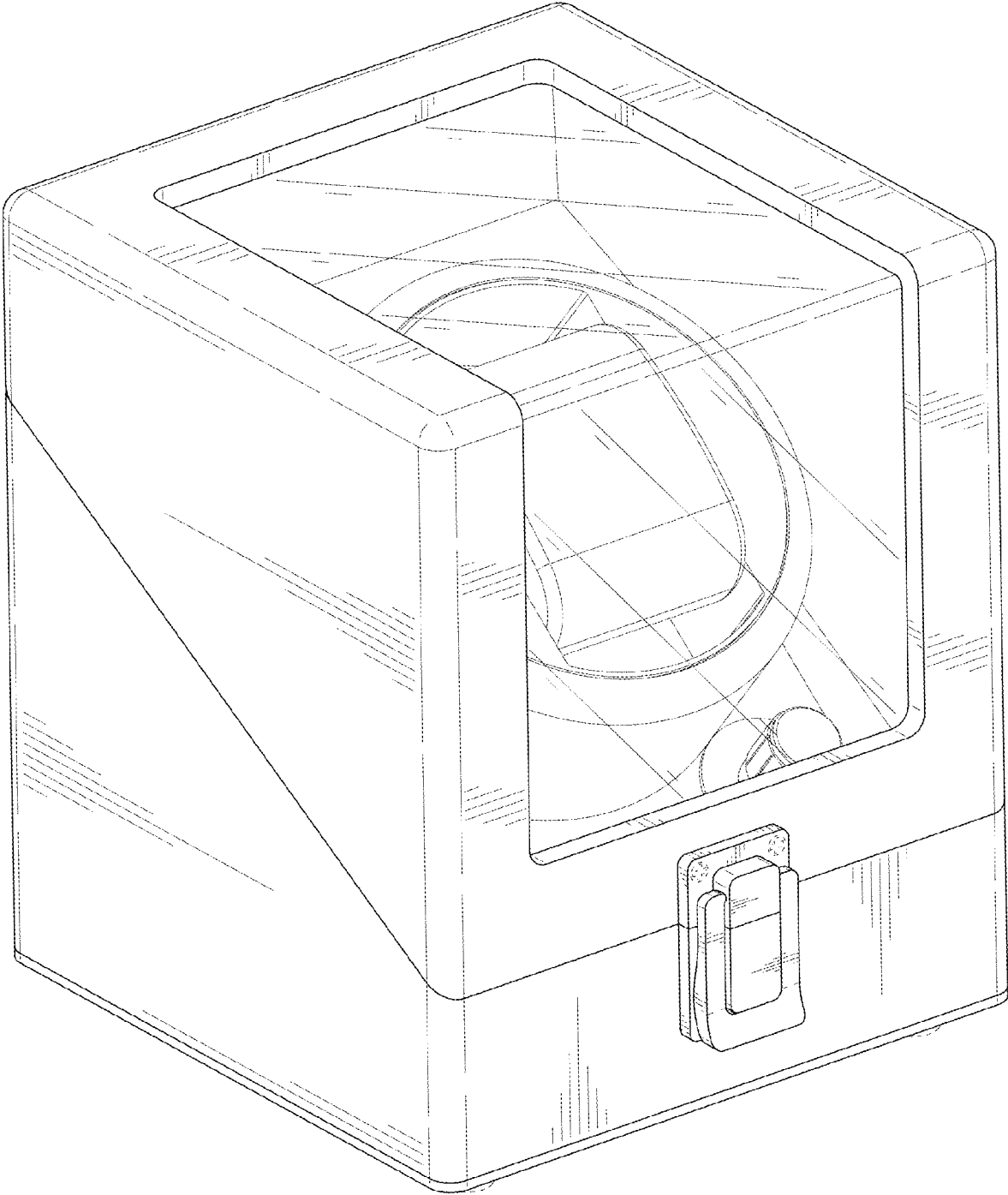


FIG. 1

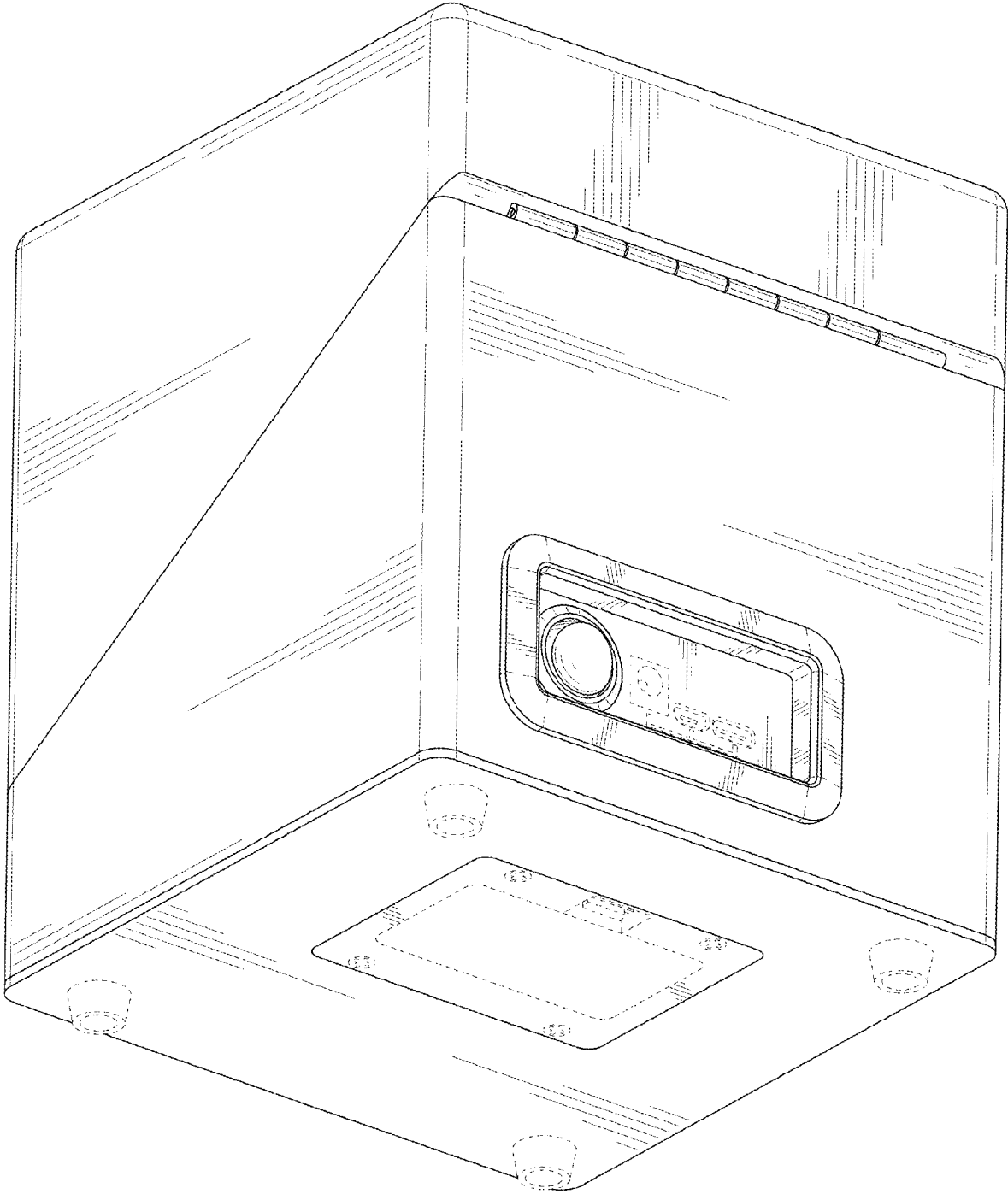


FIG. 2

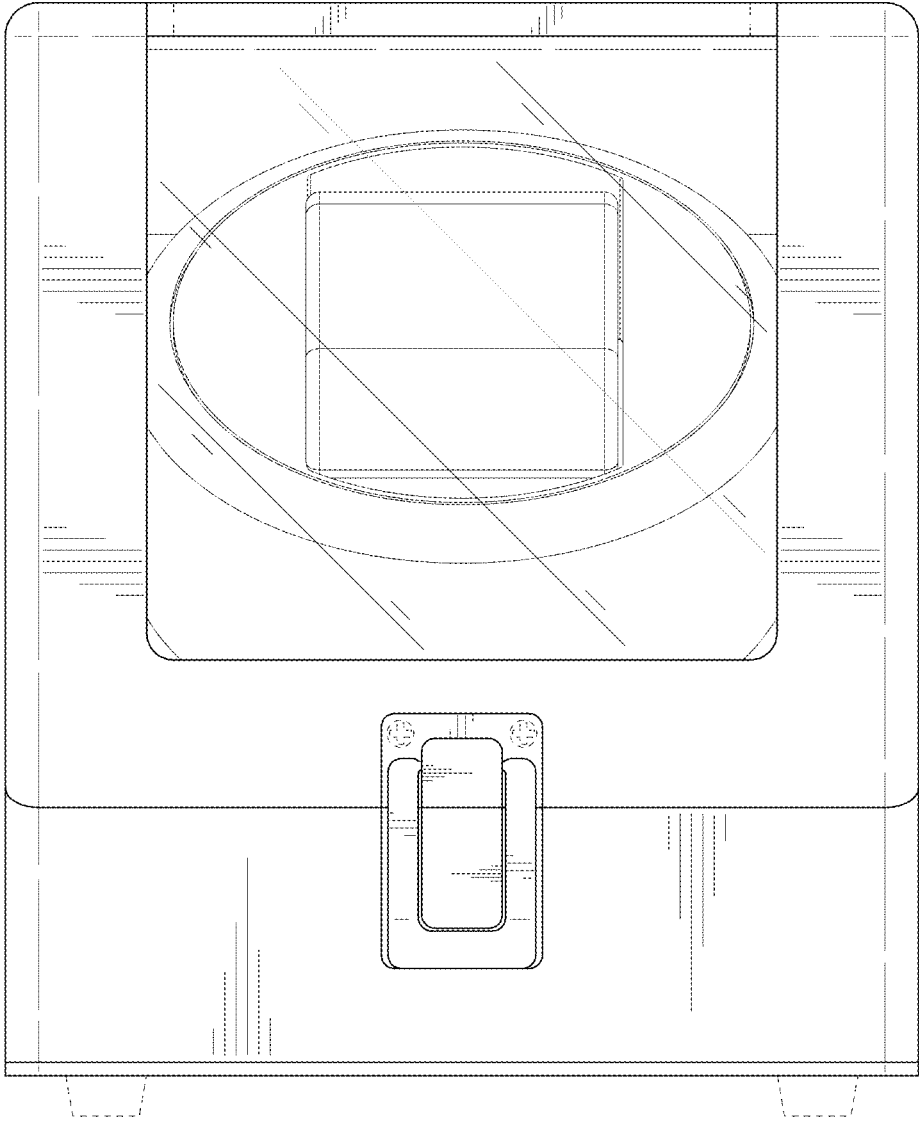


FIG. 3

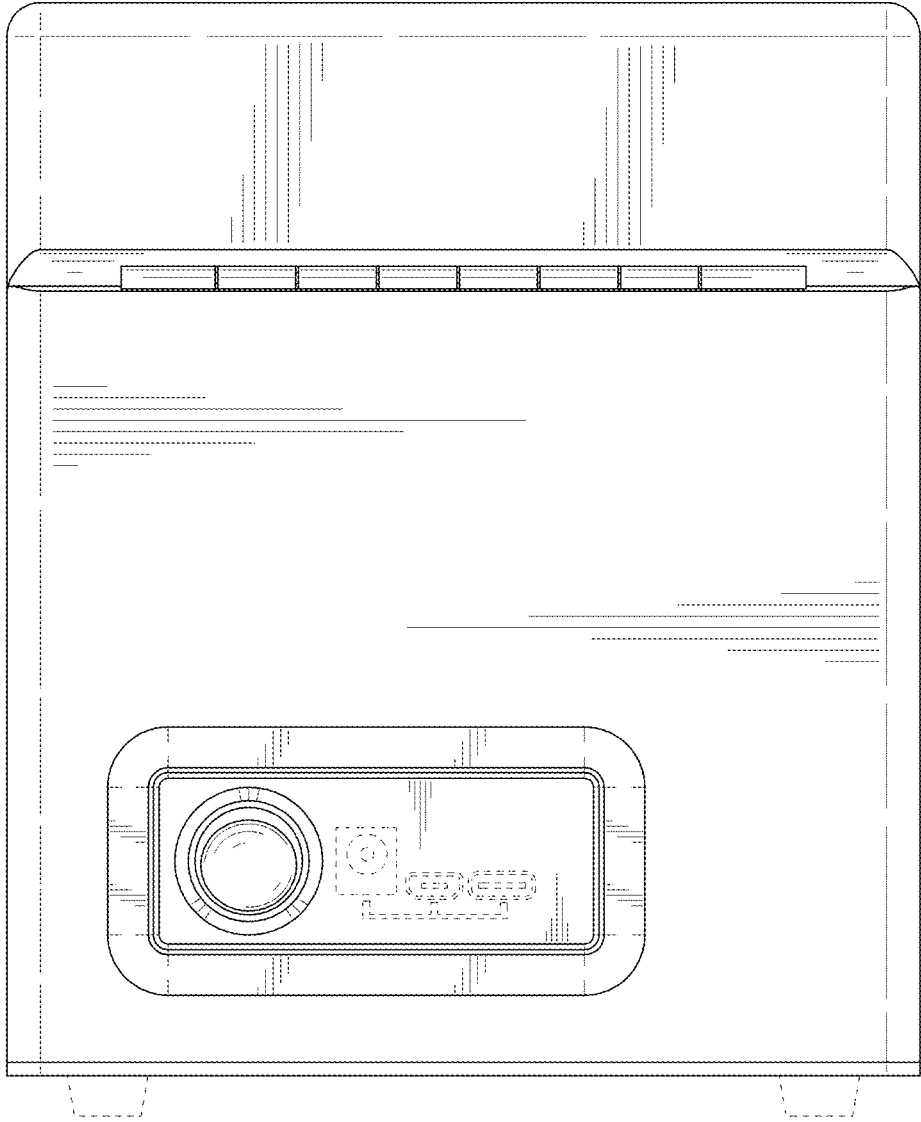


FIG. 4

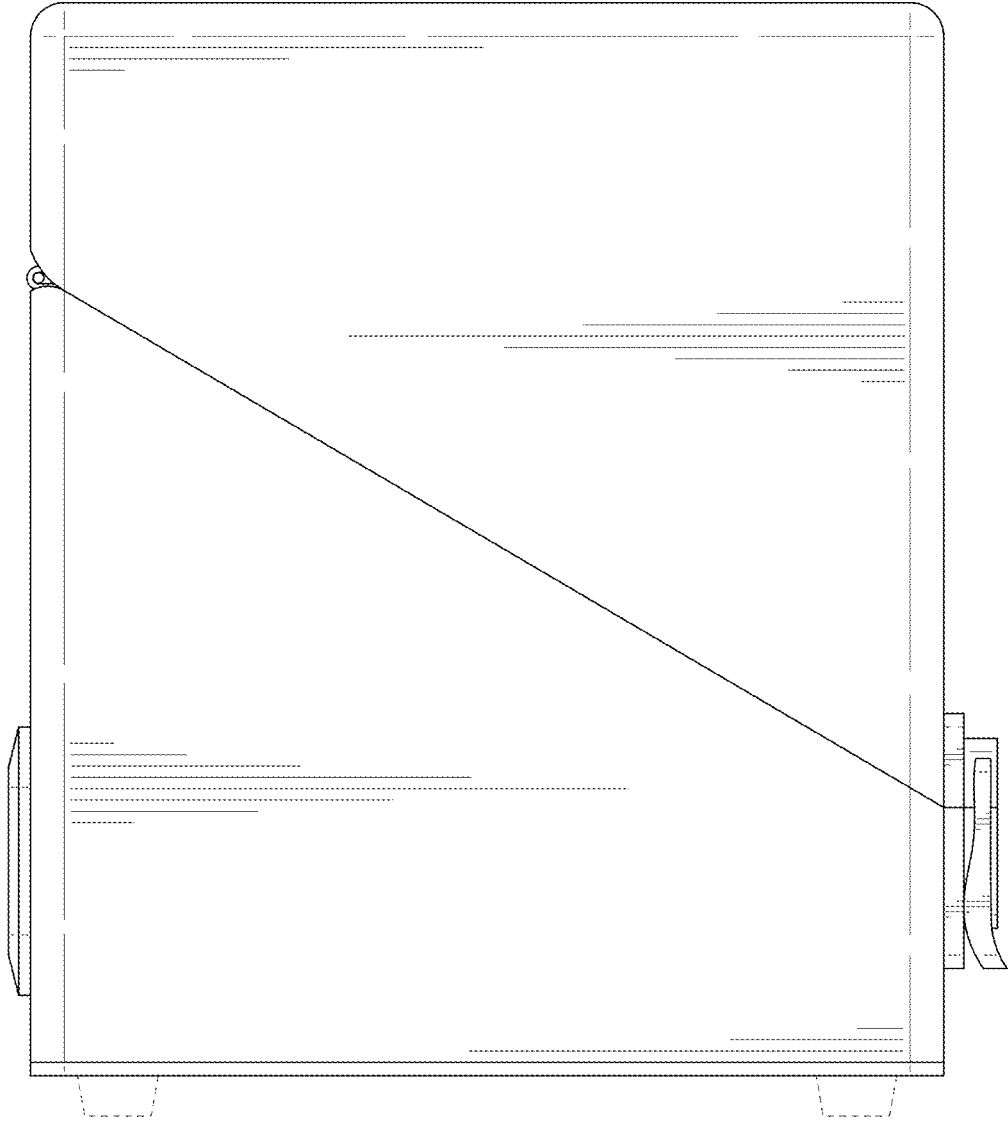


FIG. 5

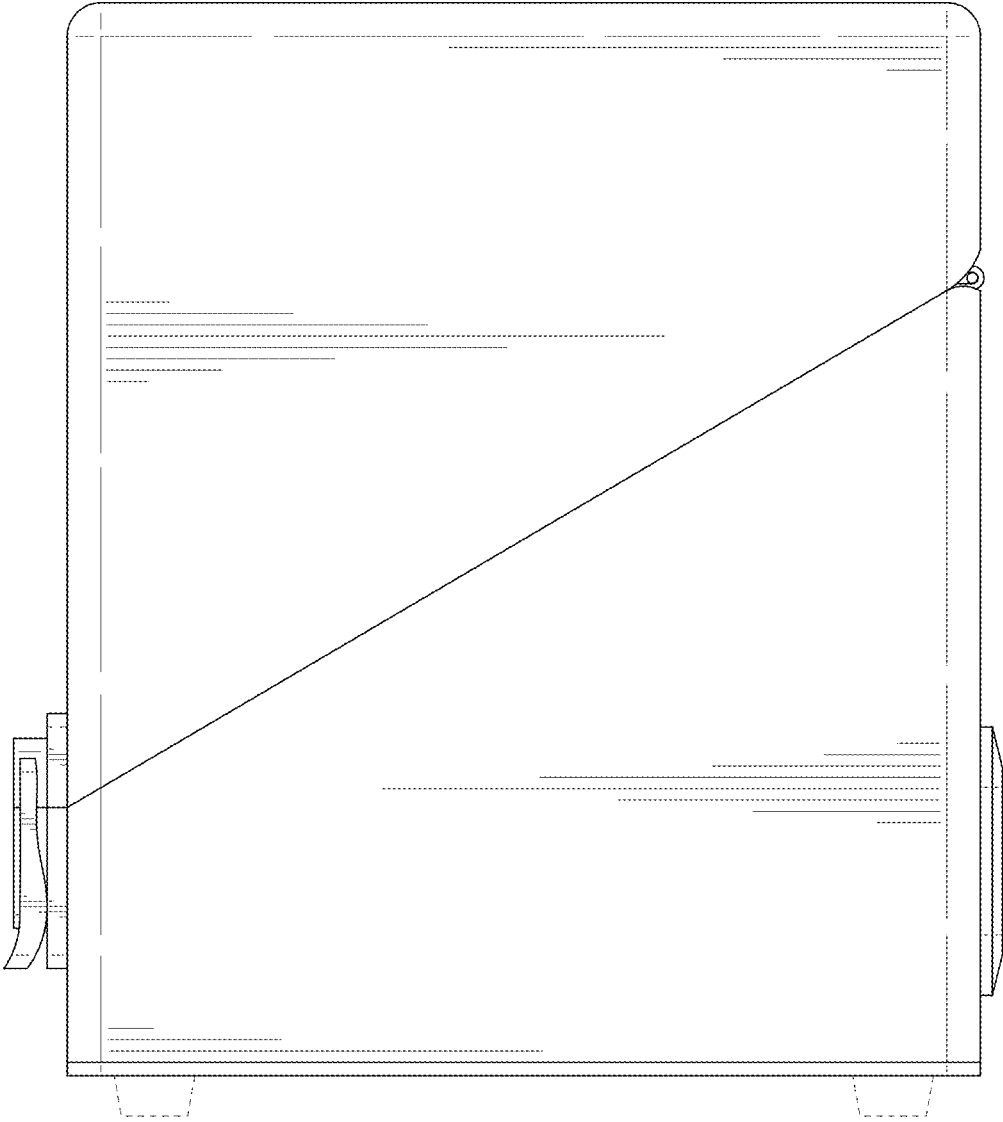


FIG. 6

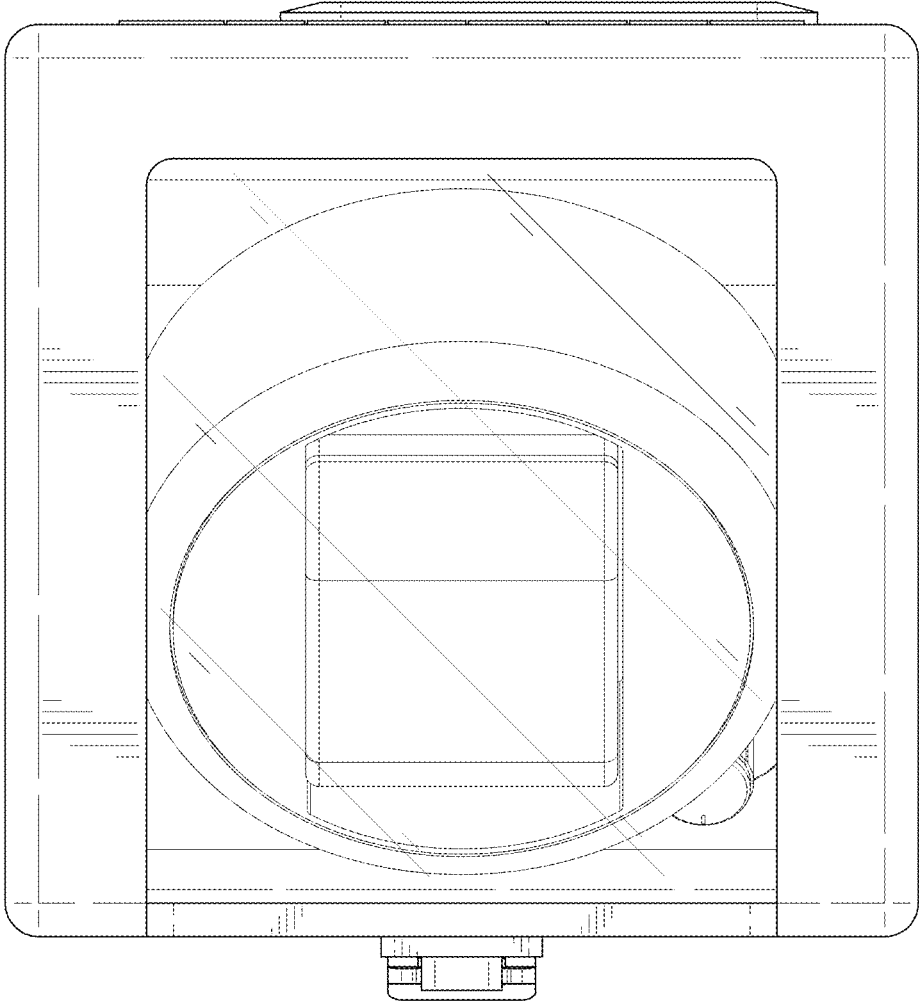


FIG. 7

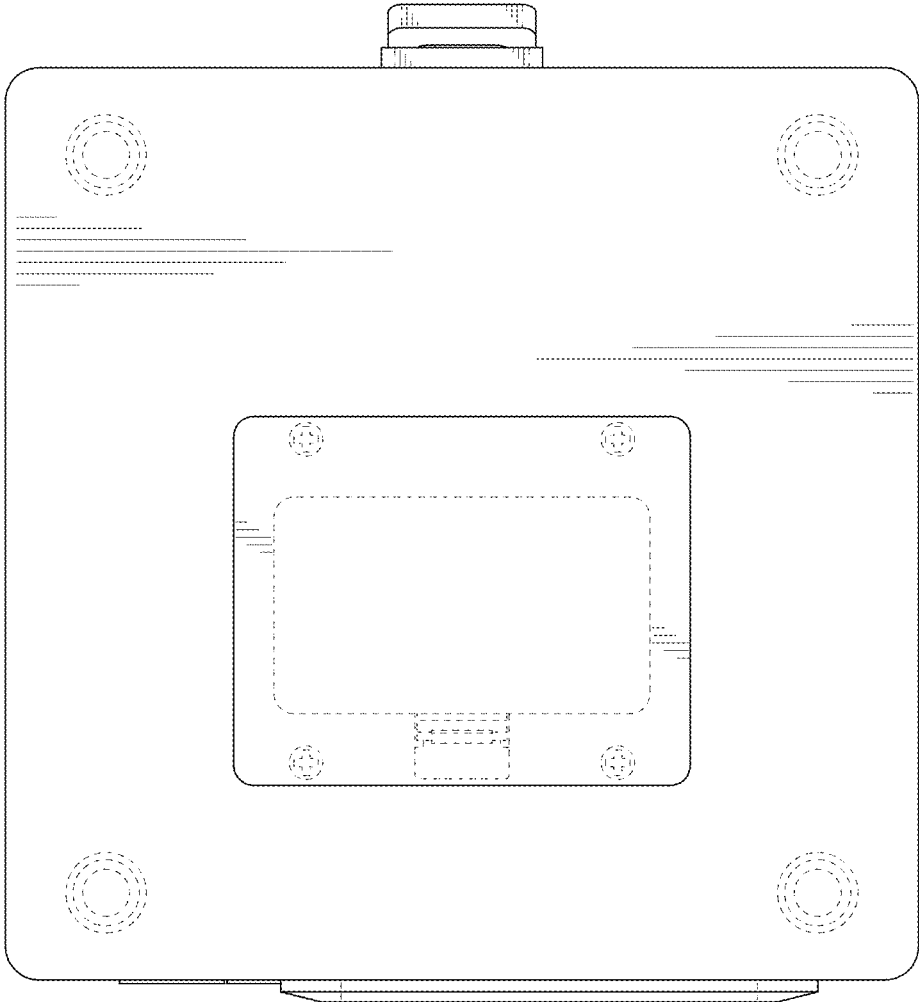


FIG. 8

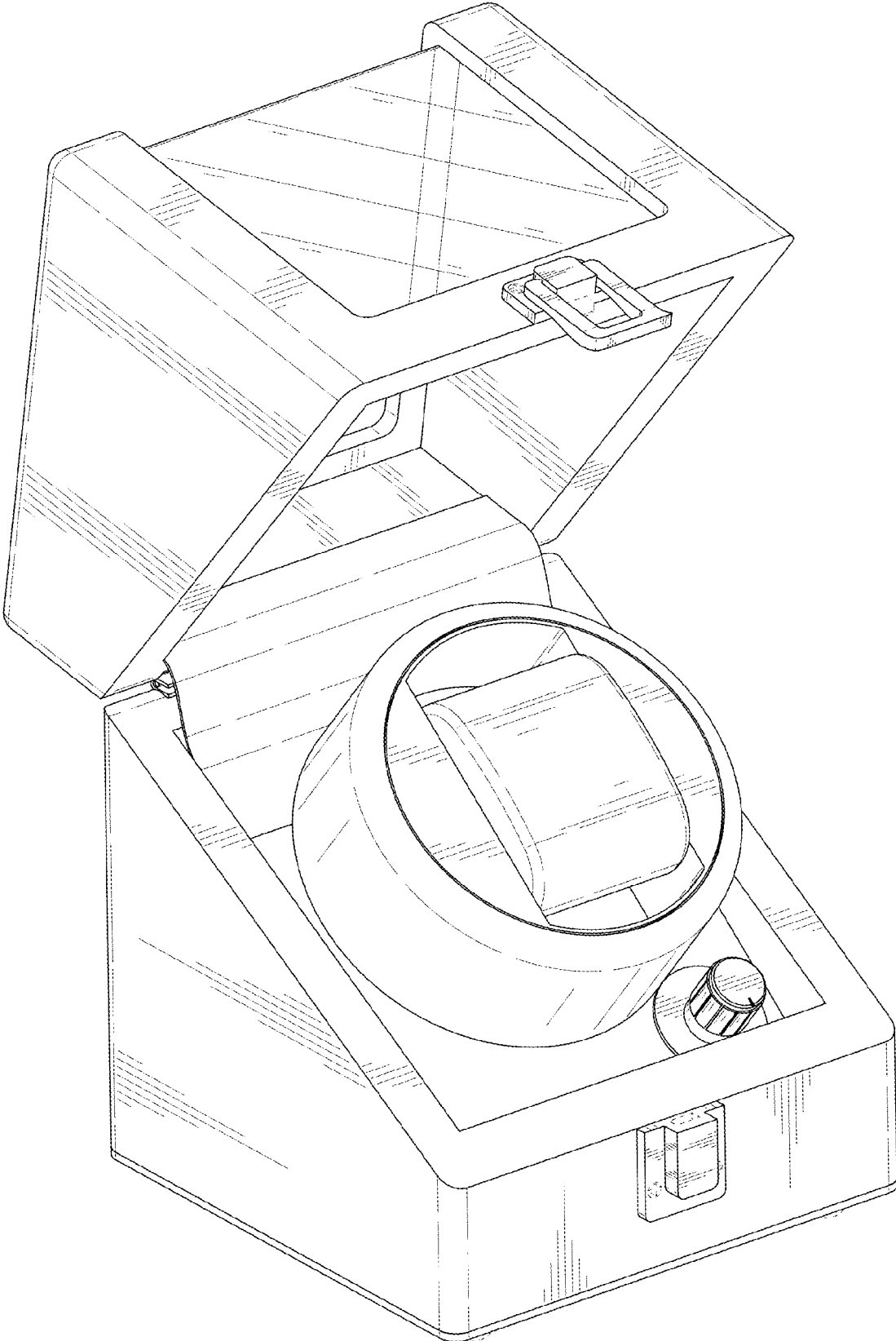


FIG. 9