

(19) World Intellectual Property
Organization
International Bureau



(43) International Publication Date
18 December 2003 (18.12.2003)

PCT

(10) International Publication Number
WO 2003/103504 A3

(51) International Patent Classification⁷: **A61B 17/32**

(21) International Application Number:
PCT/GB2003/002436

(22) International Filing Date: 5 June 2003 (05.06.2003)

(25) Filing Language: English

(26) Publication Language: English

(30) Priority Data:
0212945.0 6 June 2002 (06.06.2002) GB

(71) Applicant (for all designated States except US): **FFR IN-TELP LIMITED** [GB/GB]; Regency House, 33 Wood Street, Barnett, Hertfordshire EN5 4BE (GB).

(72) Inventor; and

(75) Inventor/Applicant (for US only): **RAWSON, Francis, Frederick, Hamilton** [GB/GB]; Glebe Barn, 69A Main Street, Queniborough, Leicestershire LE7 3DB (GB).

(74) Agent: **FORRESTER KETLEY & CO**; Chamberlain House, Paradise Place, Birmingham B3 3HP (GB).

(81) Designated States (national): AE, AG, AL, AM, AT, AU, AZ, BA, BB, BG, BR, BY, BZ, CA, CH, CN, CO, CR, CU,

CZ, DE, DK, DM, DZ, EC, EE, ES, FI, GB, GD, GE, GH, GM, HR, HU, ID, IL, IN, IS, JP, KE, KG, KP, KR, KZ, LC, LK, LR, LS, LT, LU, LV, MA, MD, MG, MK, MN, MW, MX, MZ, NI, NO, NZ, OM, PH, PL, PT, RO, RU, SC, SD, SE, SG, SK, SL, TJ, TM, TN, TR, TT, TZ, UA, UG, US, UZ, VC, VN, YU, ZA, ZM, ZW.

(84) Designated States (regional): ARIPO patent (GH, GM, KE, LS, MW, MZ, SD, SL, SZ, TZ, UG, ZM, ZW), Eurasian patent (AM, AZ, BY, KG, KZ, MD, RU, TJ, TM), European patent (AT, BE, BG, CH, CY, CZ, DE, DK, EE, ES, FI, FR, GB, GR, HU, IE, IT, LU, MC, NL, PT, RO, SE, SI, SK, TR), OAPI patent (BF, BJ, CF, CG, CI, CM, GA, GN, GQ, GW, ML, MR, NE, SN, TD, TG).

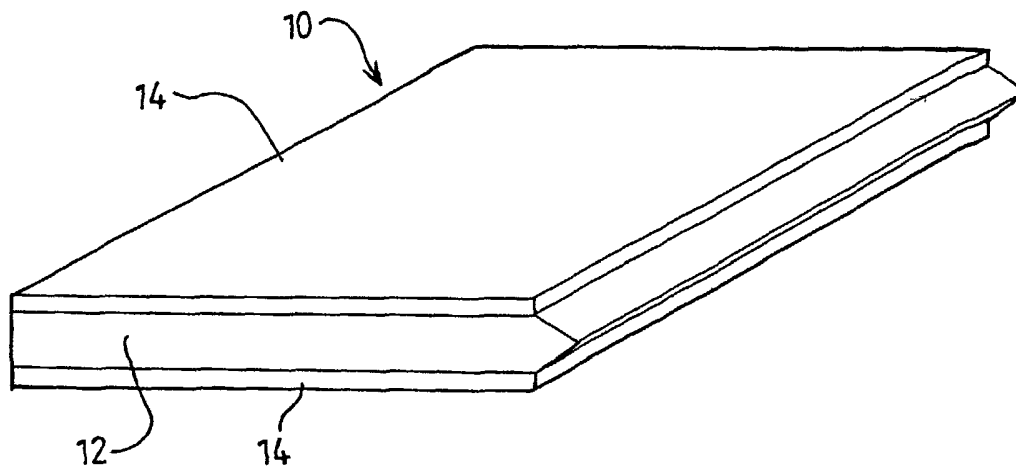
Published:

- with international search report
- before the expiration of the time limit for amending the claims and to be republished in the event of receipt of amendments

(88) Date of publication of the international search report:
15 July 2004

For two-letter codes and other abbreviations, refer to the "Guidance Notes on Codes and Abbreviations" appearing at the beginning of each regular issue of the PCT Gazette.

(54) Title: ULTRASONIC CUTTER



(57) Abstract: An ultrasonic cutter (10) comprises a piezoelectric element (12) having a driving portion (16) and a cutting portion (18) integral with the driving portion (16).

WO 2003/103504 A3

INTERNATIONAL SEARCH REPORT

International Application No

PCT/GB 03/02436

A. CLASSIFICATION OF SUBJECT MATTER
 IPC 7 A61B17/32

According to International Patent Classification (IPC) or to both national classification and IPC

B. FIELDS SEARCHED

Minimum documentation searched (classification system followed by classification symbols)

IPC 7 A61B

Documentation searched other than minimum documentation to the extent that such documents are included in the fields searched

Electronic data base consulted during the international search (name of data base and, where practical, search terms used)

EPO-Internal

C. DOCUMENTS CONSIDERED TO BE RELEVANT

Category °	Citation of document, with indication, where appropriate, of the relevant passages	Relevant to claim No.
Y	US 5 400 001 A (ASAKAWA YASUTERU ET AL) 21 March 1995 (1995-03-21) column 4, line 56 - line 63; figure 1	1,2,9, 10,16,17
A	column 6, line 7 - line 23; figures 3,4 ---	14
Y	FR 2 450 099 A (CORNING GLASS WORKS) 26 September 1980 (1980-09-26) page 4, paragraph 3; figures 1A,1B figure 5	1,2,9, 10,16,17
A	---	14
A	GB 2 318 298 A (BIOREM S R L) 22 April 1998 (1998-04-22) abstract; figure 2 ---	1,14,16, 17
A	US 3 805 100 A (KLEMP H ET AL) 16 April 1974 (1974-04-16) abstract; figure 1 ---	1,3,4, 14,16,17
	-/--	

Further documents are listed in the continuation of box C.

Patent family members are listed in annex.

° Special categories of cited documents :

- *A* document defining the general state of the art which is not considered to be of particular relevance
- *E* earlier document but published on or after the international filing date
- *L* document which may throw doubts on priority claim(s) or which is cited to establish the publication date of another citation or other special reason (as specified)
- *O* document referring to an oral disclosure, use, exhibition or other means
- *P* document published prior to the international filing date but later than the priority date claimed

- *T* later document published after the international filing date or priority date and not in conflict with the application but cited to understand the principle or theory underlying the invention
- *X* document of particular relevance; the claimed invention cannot be considered novel or cannot be considered to involve an inventive step when the document is taken alone
- *Y* document of particular relevance; the claimed invention cannot be considered to involve an inventive step when the document is combined with one or more other such documents, such combination being obvious to a person skilled in the art.
- *&* document member of the same patent family

Date of the actual completion of the international search

3 May 2004

Date of mailing of the international search report

12/05/2004

Name and mailing address of the ISA

European Patent Office, P.B. 5818 Patentlaan 2
 NL - 2280 HV Rijswijk
 Tel. (+31-70) 340-2040, Tx. 31 651 epo nl,
 Fax: (+31-70) 340-3016

Authorized officer

Ducreau, F

INTERNATIONAL SEARCH REPORT

International Application No
PCT/GB 03/02436

C.(Continuation) DOCUMENTS CONSIDERED TO BE RELEVANT		
Category °	Citation of document, with indication, where appropriate, of the relevant passages	Relevant to claim No.
A	WO 98 49950 A (BURGARD GUNTHER) 12 November 1998 (1998-11-12) page 9, paragraph 3; figure 1 -----	1,14,16, 17

INTERNATIONAL SEARCH REPORT

Information on patent family members

International Application No

PCT/GB 03/02436

Patent document cited in search report	Publication date	Patent family member(s)	Publication date
US 5400001	A	21-03-1995	JP 6104684 A 15-04-1994
			JP 6216700 A 05-08-1994
			JP 6303084 A 28-10-1994
FR 2450099	A	26-09-1980	US 4248231 A 03-02-1981
			US 4232676 A 11-11-1980
			DE 2944730 A1 29-05-1980
			FR 2450099 A1 26-09-1980
			GB 2037167 A 09-07-1980
			JP 55073254 A 02-06-1980
GB 2318298	A	22-04-1998	IT RM960228 U1 20-04-1998
US 3805100	A	16-04-1974	DE 2203095 A1 26-04-1973
			DK 137260 B 06-02-1978
			FR 2169099 A1 07-09-1973
			GB 1421831 A 21-01-1976
			IT 973064 B 10-06-1974
			JP 894697 C 30-01-1978
			JP 48083801 A 08-11-1973
			JP 52022522 B 17-06-1977
WO 9849950	A	12-11-1998	DE 19718708 A1 05-11-1998
			AT 263512 T 15-04-2004
			AU 7647898 A 27-11-1998
			DE 29803143 U1 23-04-1998
			WO 9849950 A1 12-11-1998
			EP 0984725 A1 15-03-2000
			US 6419683 B1 16-07-2002
			ZA 9803683 A 12-11-1998