



US00D689293S

(12) **United States Design Patent**
Watton

(10) **Patent No.:** **US D689,293 S**

(45) **Date of Patent:** **** Sep. 10, 2013**

(54) **BENCH**

(76) Inventor: **Jeffrey Watton**, Chippewa Falls, WI
(US)

(**) Term: **14 Years**

(21) Appl. No.: **29/412,303**

(22) Filed: **Feb. 1, 2012**

(51) **LOC (9) Cl.** **06-01**

(52) **U.S. Cl.**

USPC **D6/370**

(58) **Field of Classification Search**

USPC D6/334-336, 344-353, 360-381,
D6/388, 403, 491-502, 692, 708, 716, 716.2-716.4,
D6/717; 297/16.1, 22, 31, 35, 217.1, 228.12,
297/239, 256.16, 271.6, 284.4-284.5, 291,
297/297, 302.4, 411.2, 411.27-411.29, 411.43,
297/423.1, 423.12, 440.11, 440.15, 440.24,
297/448.1, 451.4, 452.13, 452.19, 452.21,
297/452.27, 452.29, 452.3, 452.41, 452.56,
297/452.64

See application file for complete search history.

(56) **References Cited**

U.S. PATENT DOCUMENTS

D376,271 S * 12/1996 Skalka D6/370

D376,937 S * 12/1996 Skalka D6/492

(Continued)

Primary Examiner — Ricky Pham

(74) *Attorney, Agent, or Firm* — Anthony J Bourget

(57) **CLAIM**

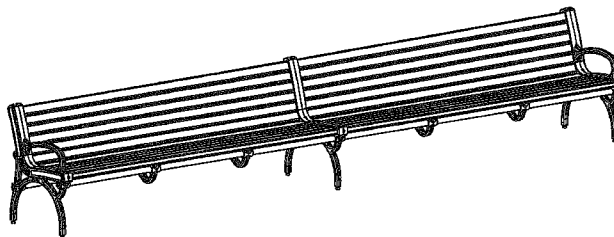
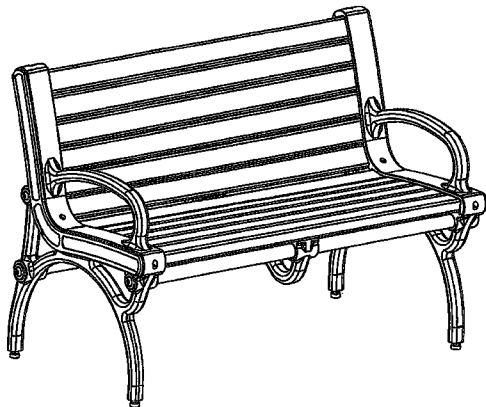
The ornamental design for a bench, as shown and described.

DESCRIPTION

FIG. 1 is a perspective view of my new design of a bench;
FIG. 2 is a rear perspective view of the bench of FIG. 1;

FIG. 3 is a right side elevational view of the bench of FIG. 1, the left side view being a mirror image thereof;
FIG. 4 is a top plan view of the bench of FIG. 1;
FIG. 5 is a bottom plan view of the bench of FIG. 1;
FIG. 6 is a front elevational view of the bench of FIG. 1;
FIG. 7 is a back elevational view of the bench of FIG. 1;
FIG. 8 is a perspective view of a bench having an alternate inventive design and the broken lines are included to indicate indeterminate dimension;
FIG. 9 is a rear perspective view of the bench of FIG. 8;
FIG. 10 is a right side elevational view of the bench of FIG. 8, the left side view being a mirror image thereof;
FIG. 11 is a top plan view of the bench of FIG. 8;
FIG. 12 is a bottom plan view of the bench of FIG. 8;
FIG. 13 is a front elevational view of the bench of FIG. 8;
FIG. 14 is a back elevational view of the bench of FIG. 8;
FIG. 15 is a perspective view of a bench having an alternate inventive design;
FIG. 16 is a rear perspective view of the bench of FIG. 15;
FIG. 17 is a right side elevational view of the bench of FIG. 15, the left side view being a mirror image thereof;
FIG. 18 is a top plan view of the bench of FIG. 15;
FIG. 19 is a bottom plan view of the bench of FIG. 15;
FIG. 20 is a front elevational view of the bench of FIG. 15;
FIG. 21 is a back elevational view of the bench of FIG. 15;
FIG. 22 is a perspective view of a bench having an alternate inventive design and the broken lines are included to indicate indeterminate dimension;
FIG. 23 is a rear perspective view of the bench of FIG. 22;
FIG. 24 is a right side elevational view of the bench of FIG. 22, the left side view being a mirror image thereof;
FIG. 25 is a top plan view of the bench of FIG. 22;
FIG. 26 is a bottom plan view of the bench of FIG. 22;
FIG. 27 is a front elevational view of the bench of FIG. 22; and,
FIG. 28 is a back elevational view of the bench of FIG. 22. The broken lines are included to indicate indeterminate dimension.

1 Claim, 28 Drawing Sheets



(56)

References Cited

U.S. PATENT DOCUMENTS

D383,615 S *	9/1997	Skalka	D6/370	D530,535 S *	10/2006	Skalka	D6/366
D384,512 S *	10/1997	Skalka	D6/370	D532,620 S *	11/2006	Skalka	D6/366
D386,012 S *	11/1997	Skalka	D6/370	D563,689 S *	3/2008	Skalka	D6/381
D408,660 S *	4/1999	Donnelly	D6/500	D564,802 S *	3/2008	Weimer et al.	D6/492
D419,341 S *	1/2000	Chipman	D6/492	D578,808 S *	10/2008	Pappas	D6/495
D458,475 S *	6/2002	Hecht et al.	D6/492	D579,685 S *	11/2008	Skalka	D6/381
D467,101 S *	12/2002	Hughes	D6/495	D585,210 S *	1/2009	Rizzi	D6/381
D468,126 S *	1/2003	Pappas	D6/381	D585,211 S *	1/2009	Rizzi	D6/381
D498,079 S	11/2004	Messier		D585,220 S *	1/2009	Skalka	D6/492
D523,263 S	6/2006	Skalka		D590,621 S *	4/2009	Pappas	D6/381
D526,514 S *	8/2006	Hughes	D6/492	D601,823 S *	10/2009	Skalka	D6/381
D526,805 S	8/2006	Skalka		D607,229 S *	1/2010	Skalka	D6/381
D528,831 S *	9/2006	Rizzi	D6/500	D609,933 S *	2/2010	Skalka	D6/381
					D629,233 S *	12/2010	Slear et al.	D6/492

* cited by examiner

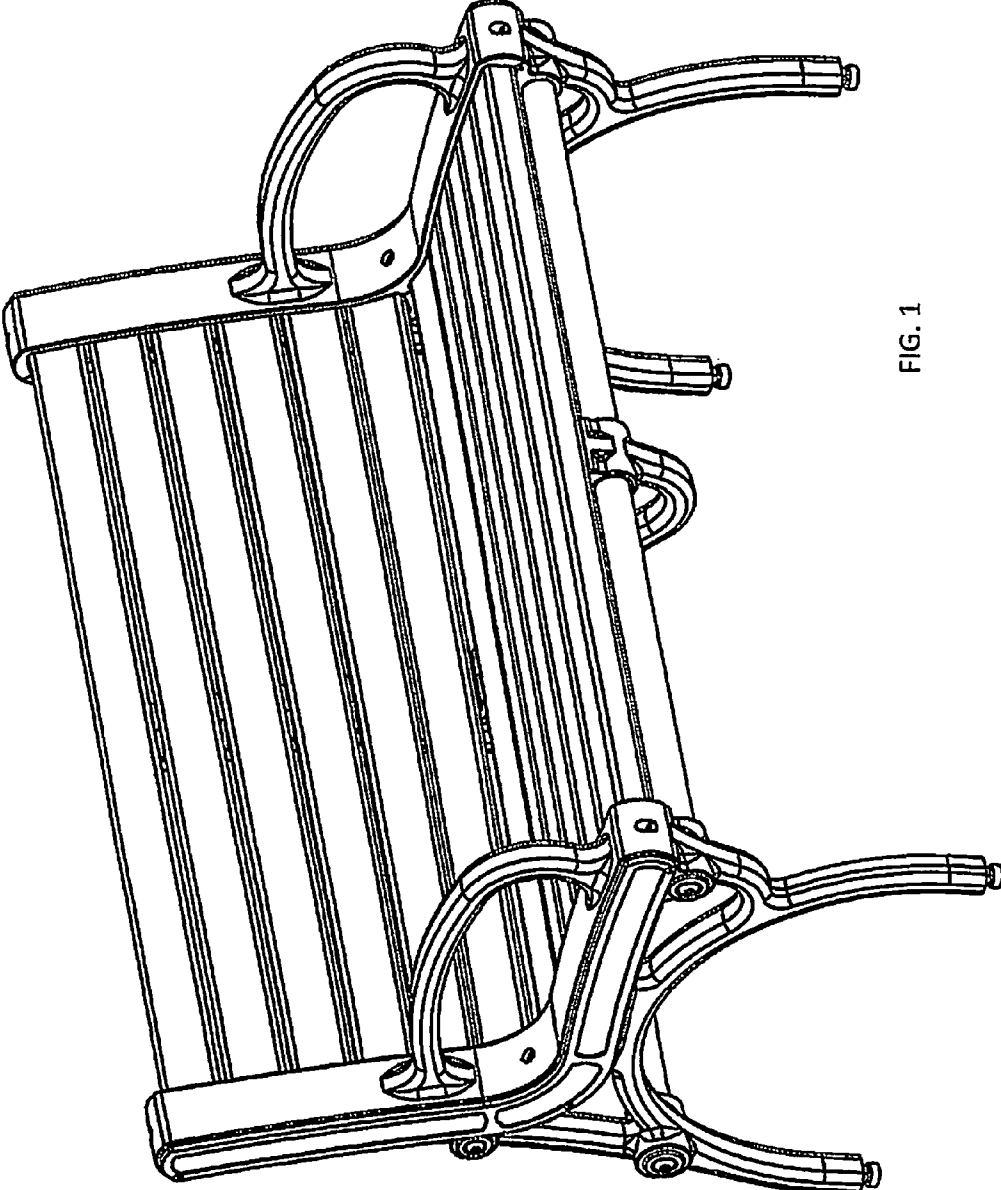


FIG. 1

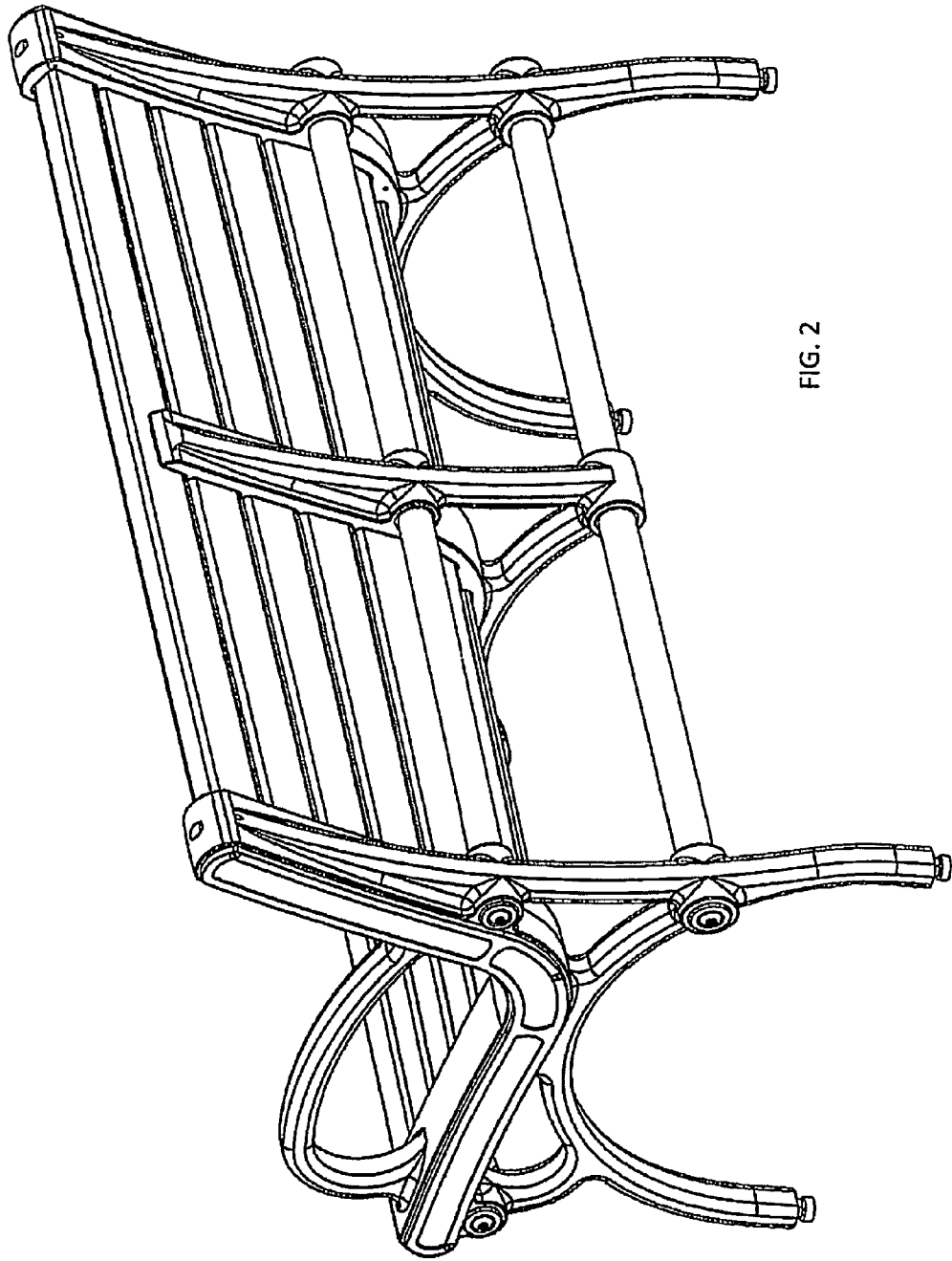
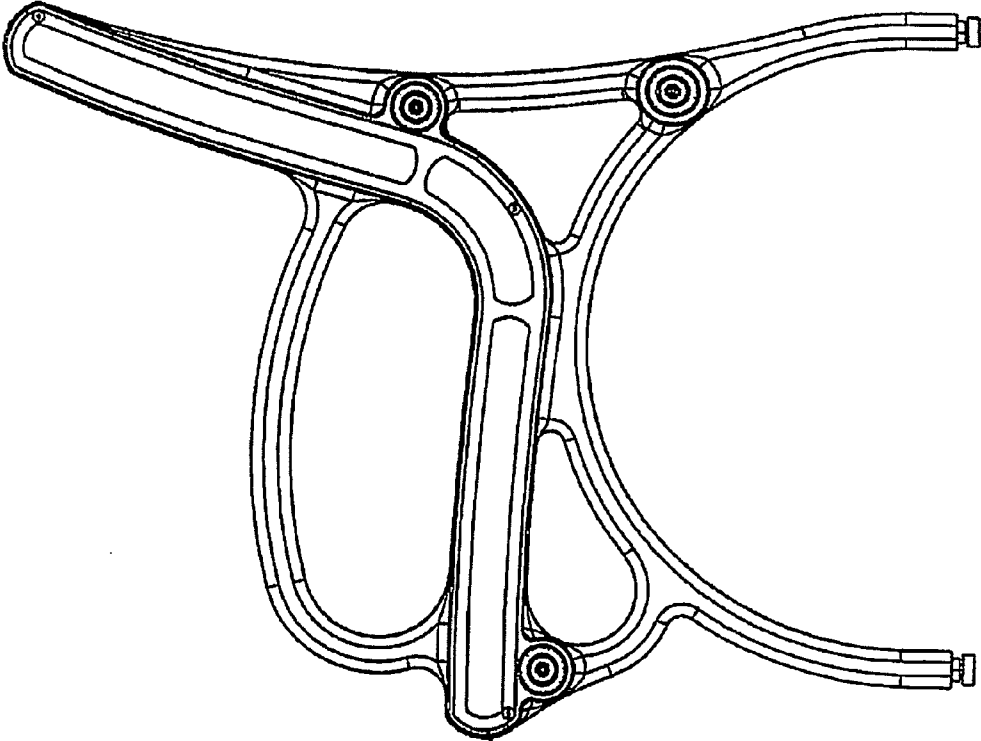


FIG. 2

FIG. 3



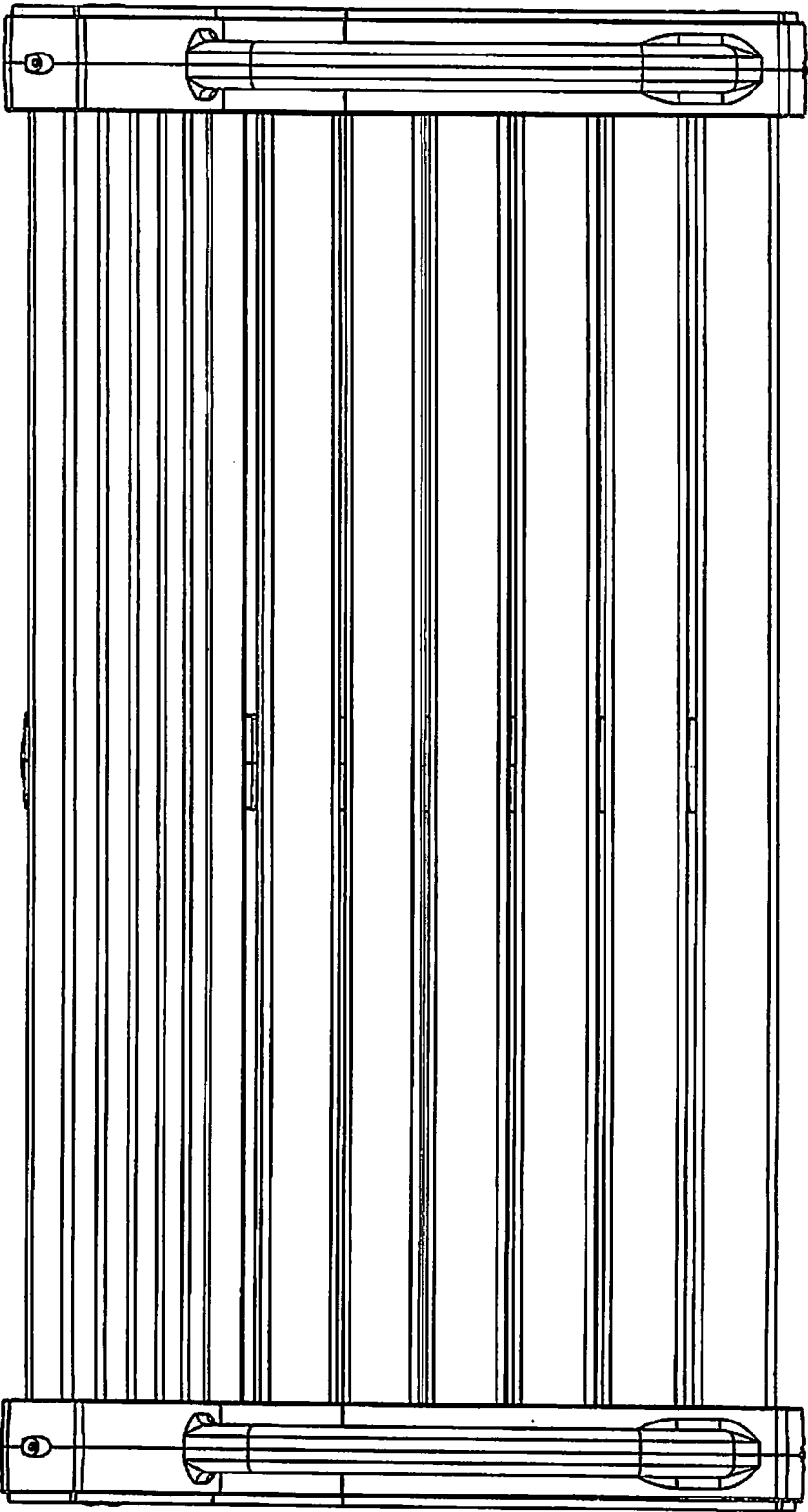


FIG. 4

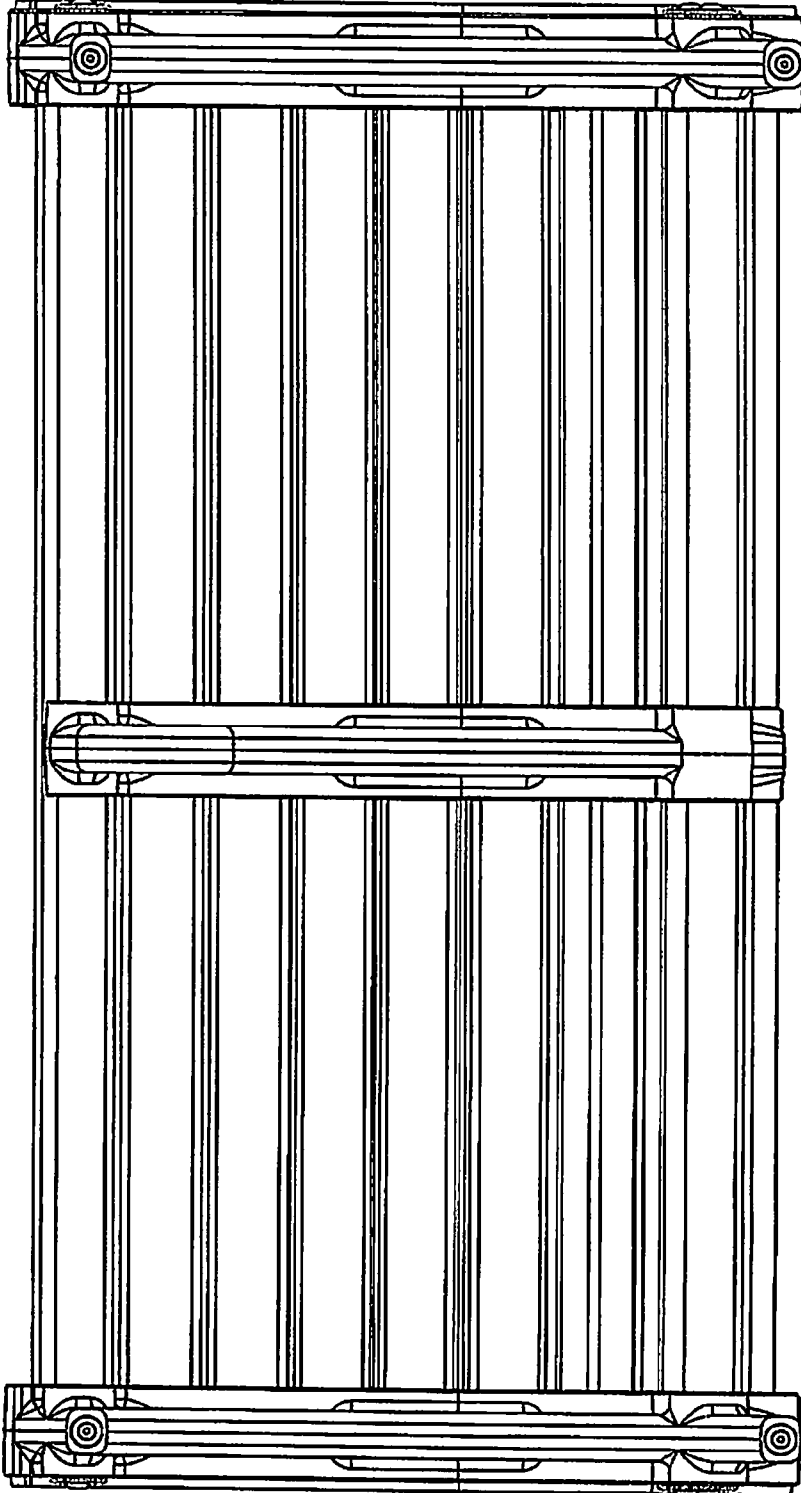


FIG. 5

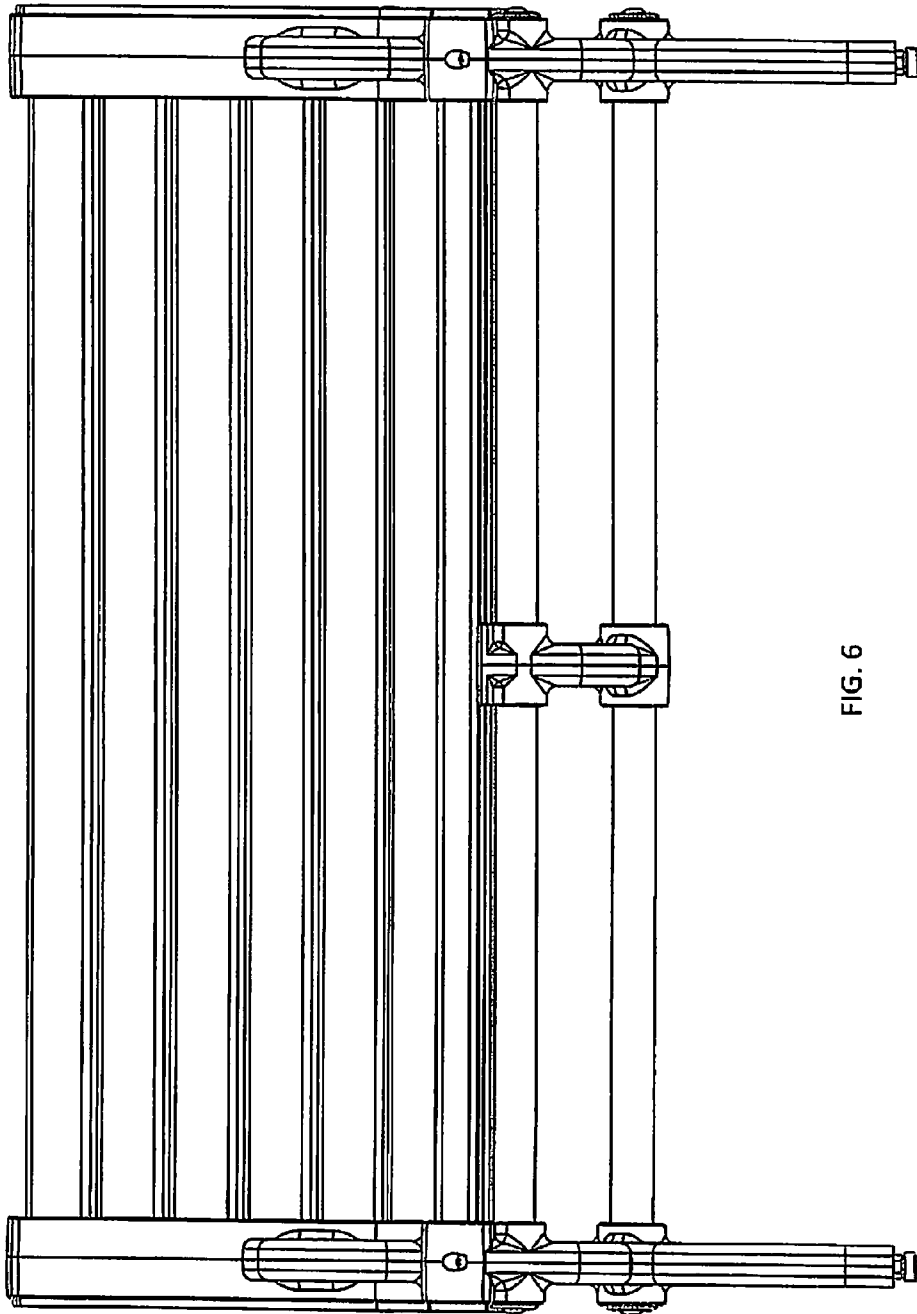


FIG. 6

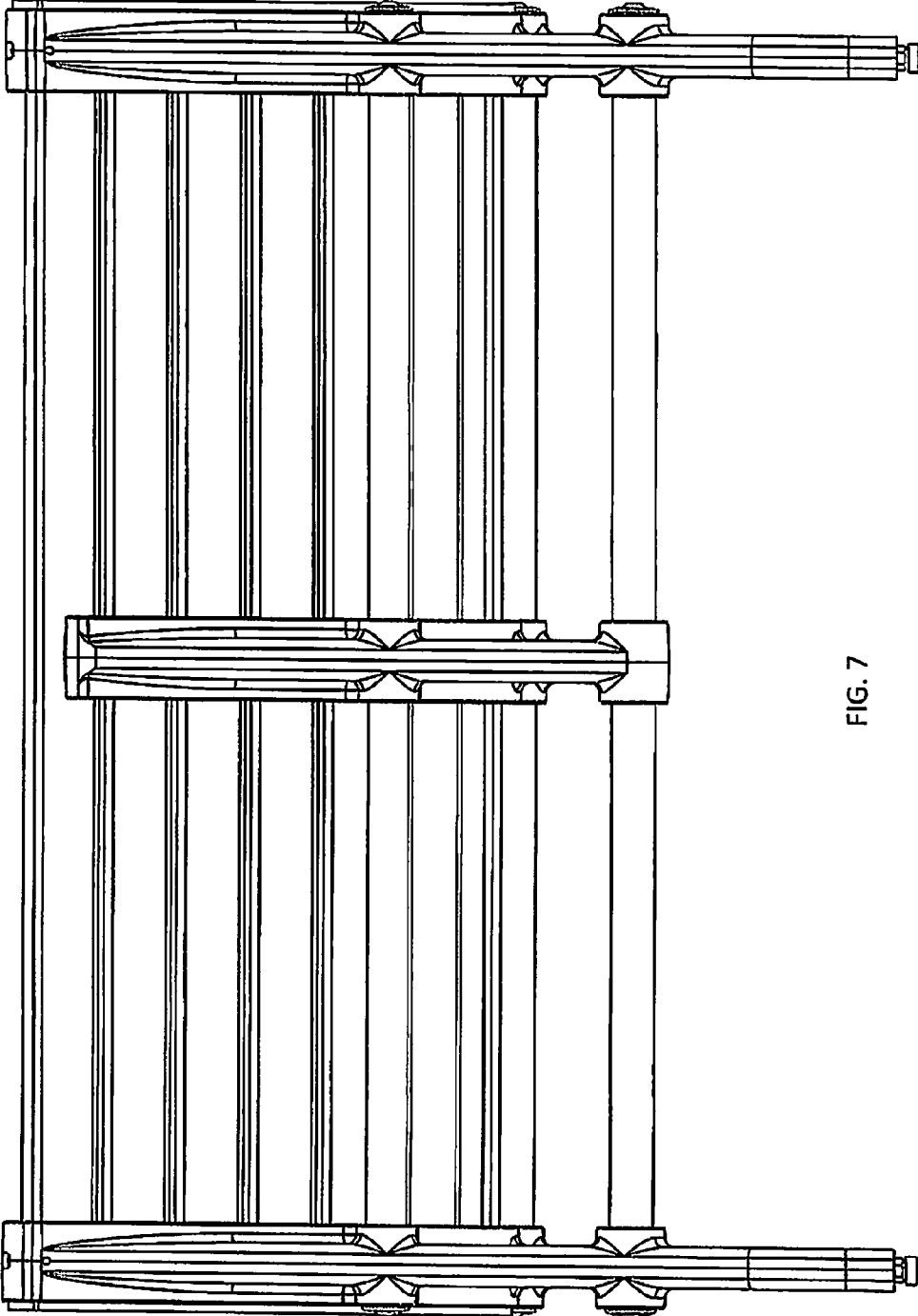


FIG. 7

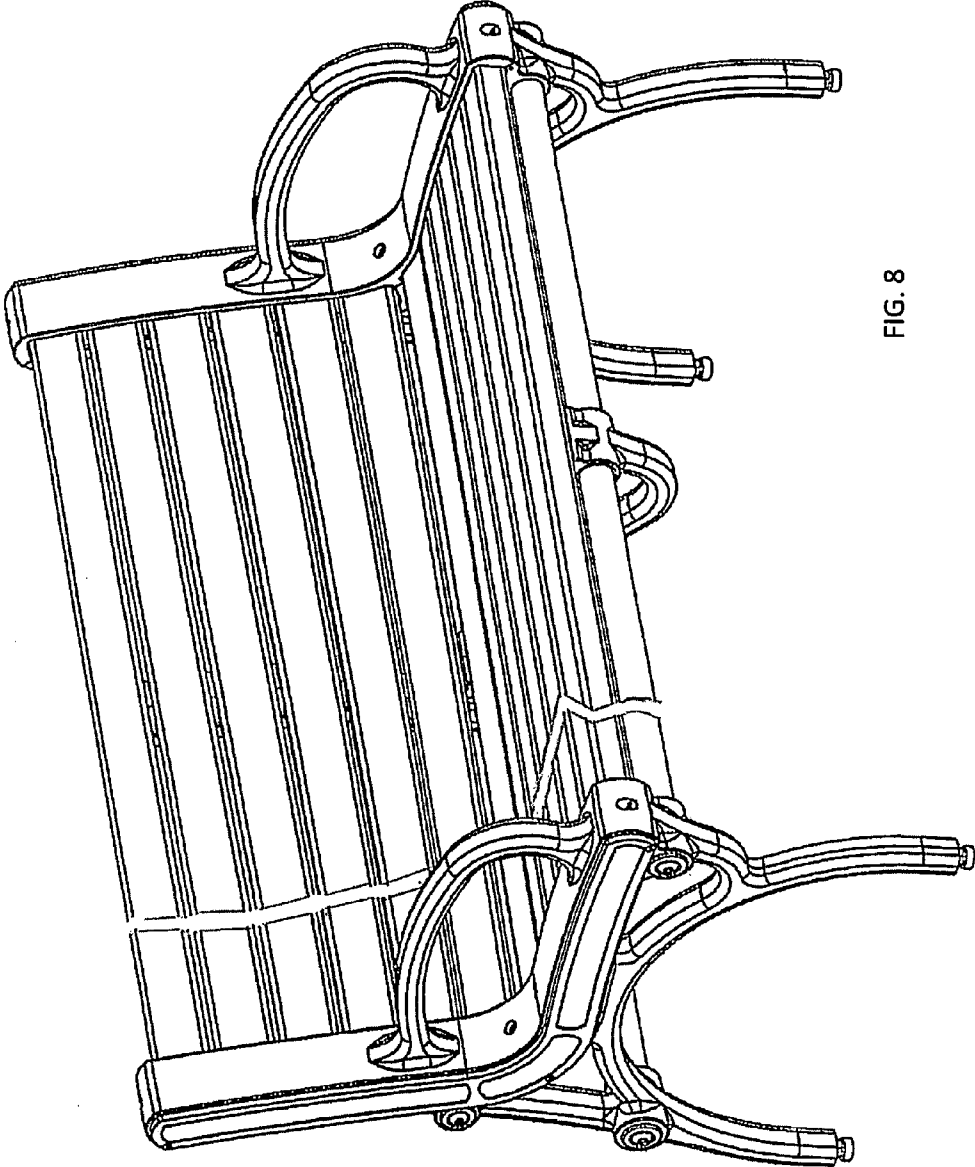


FIG. 8

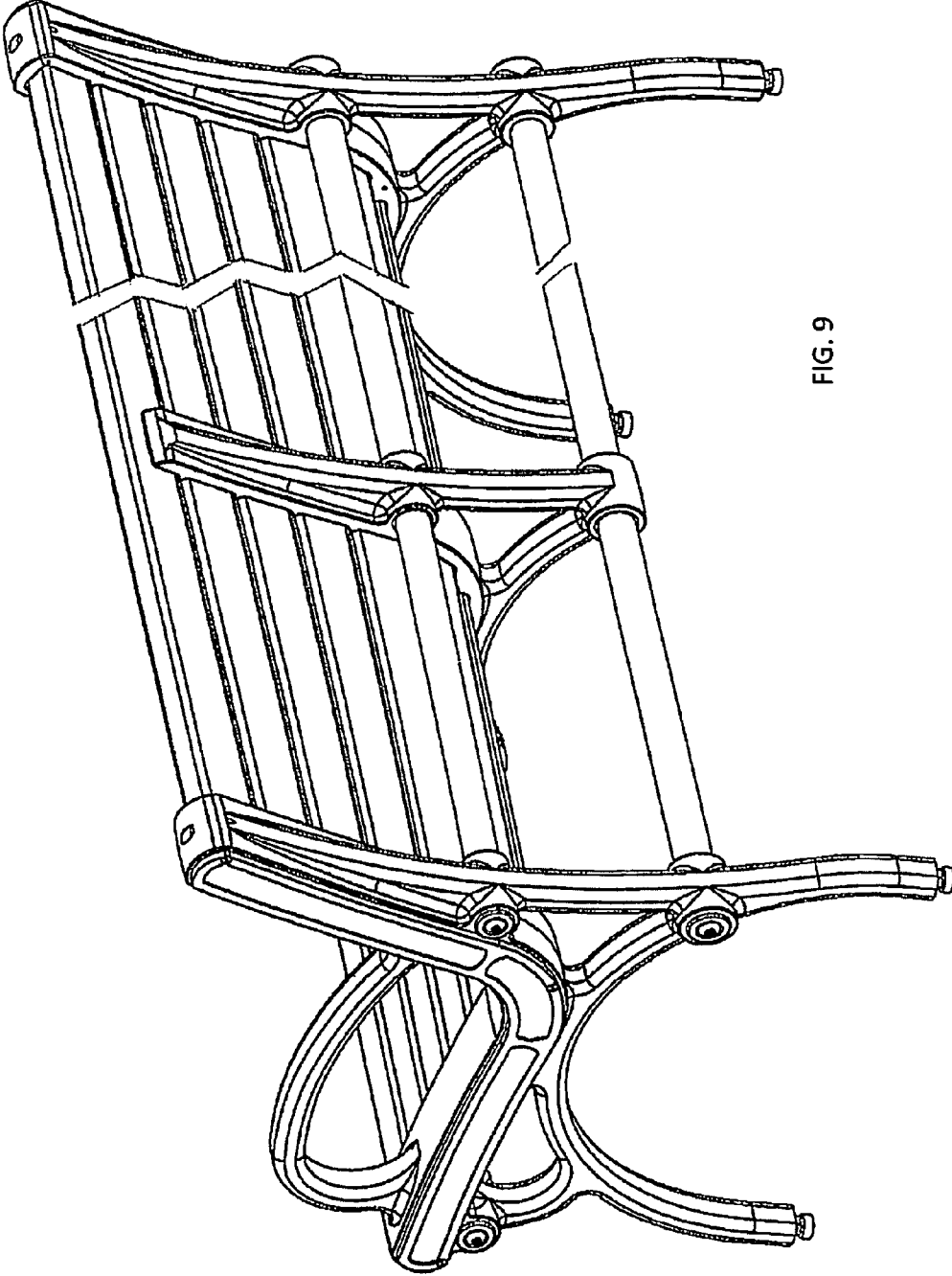


FIG. 9

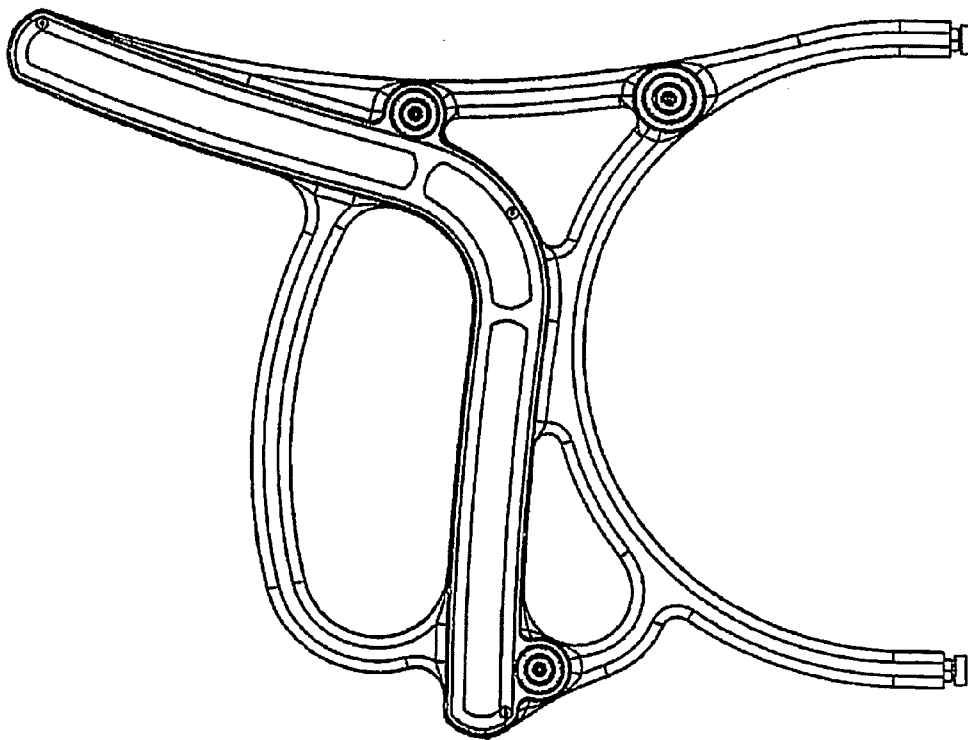


FIG. 10

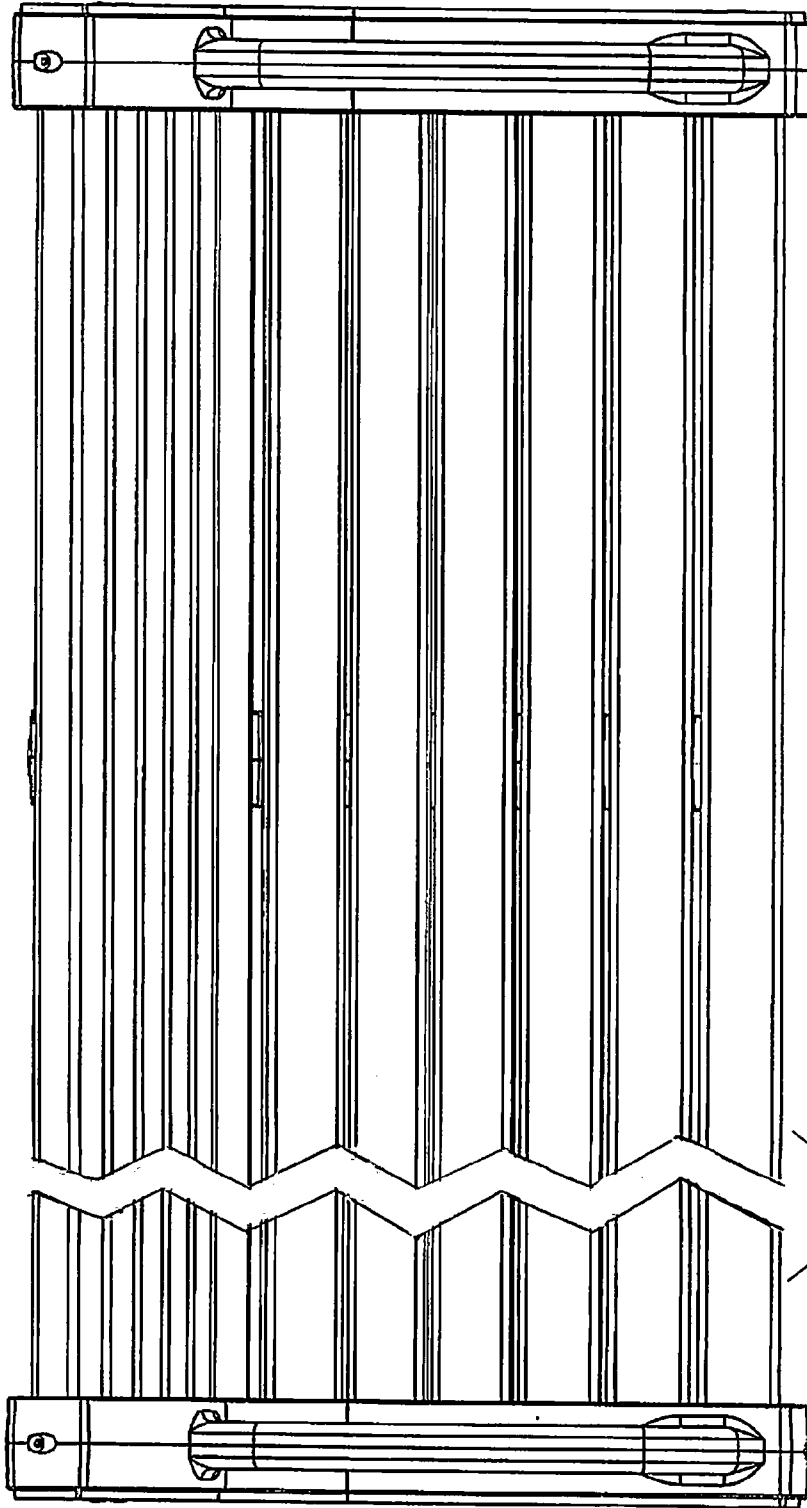


FIG. 11

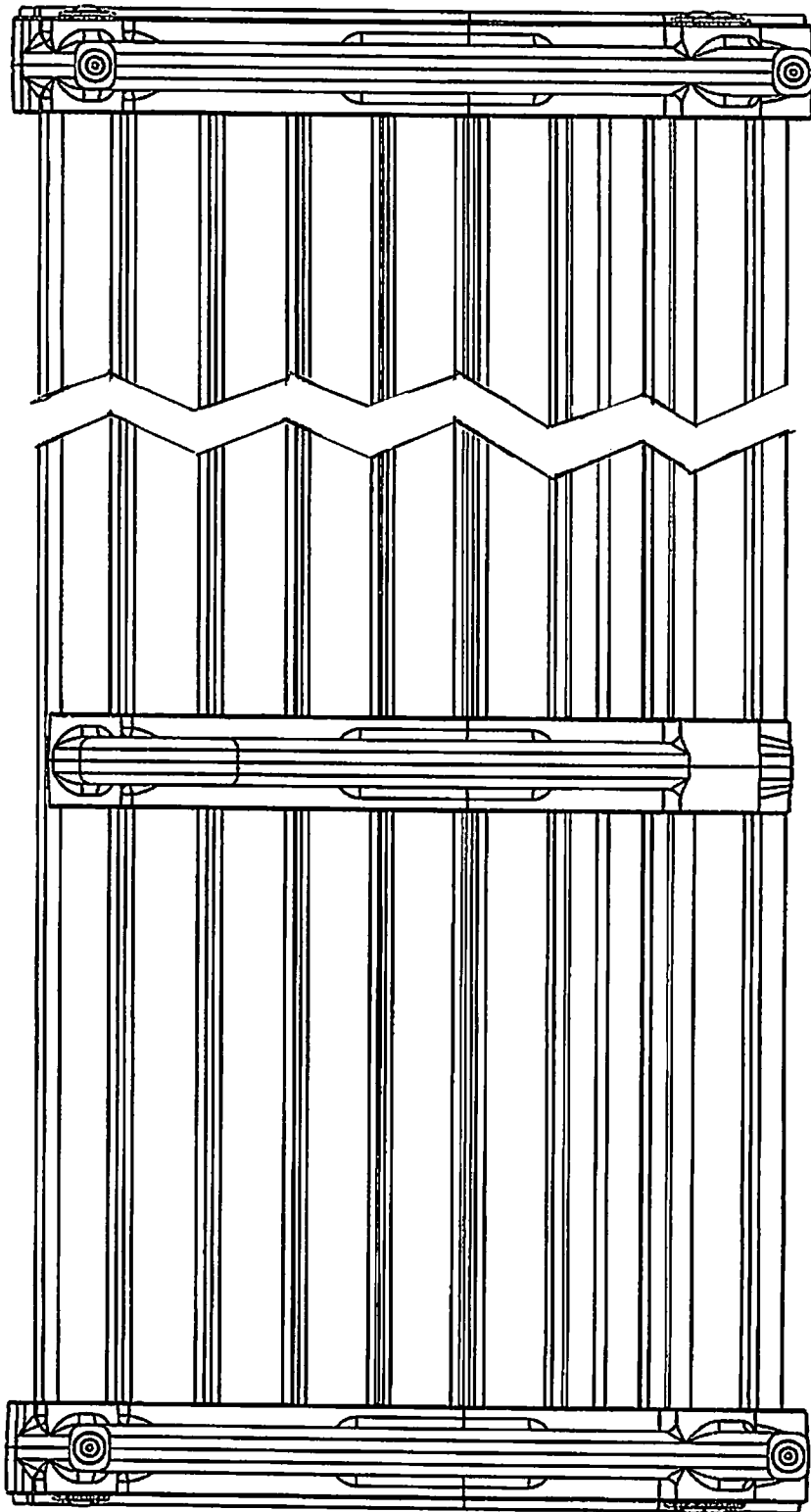


FIG. 12

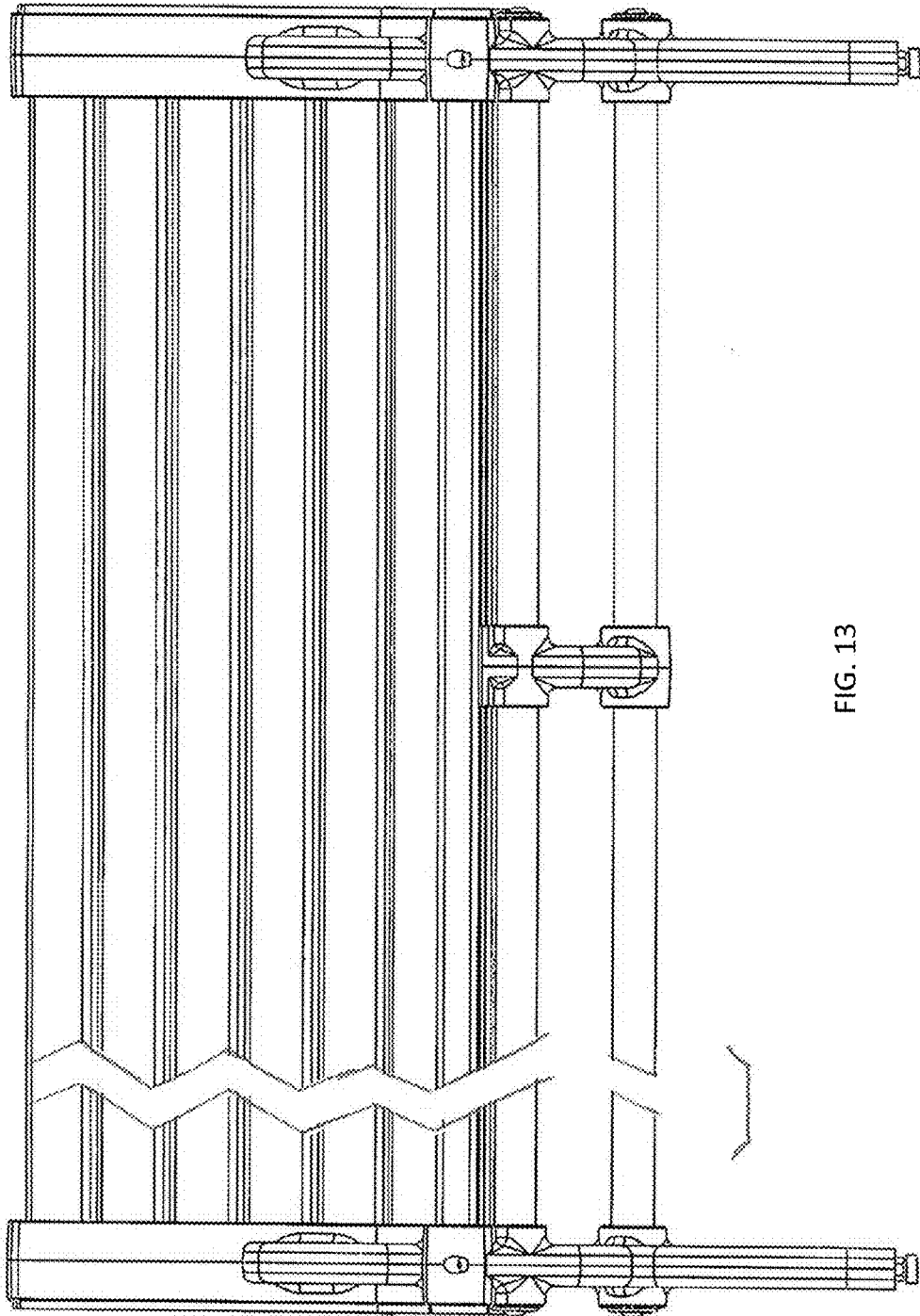


FIG. 13

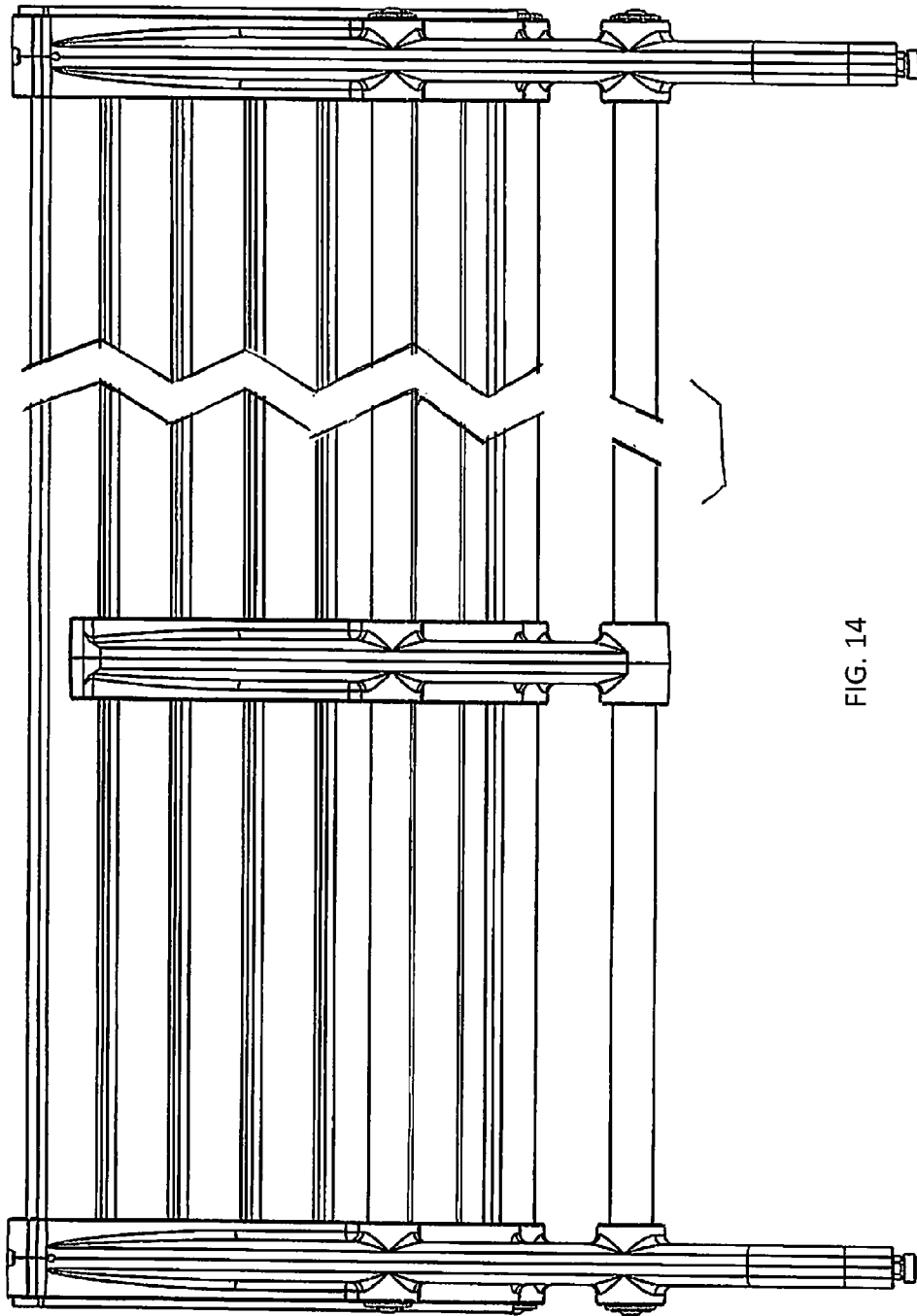


FIG. 14

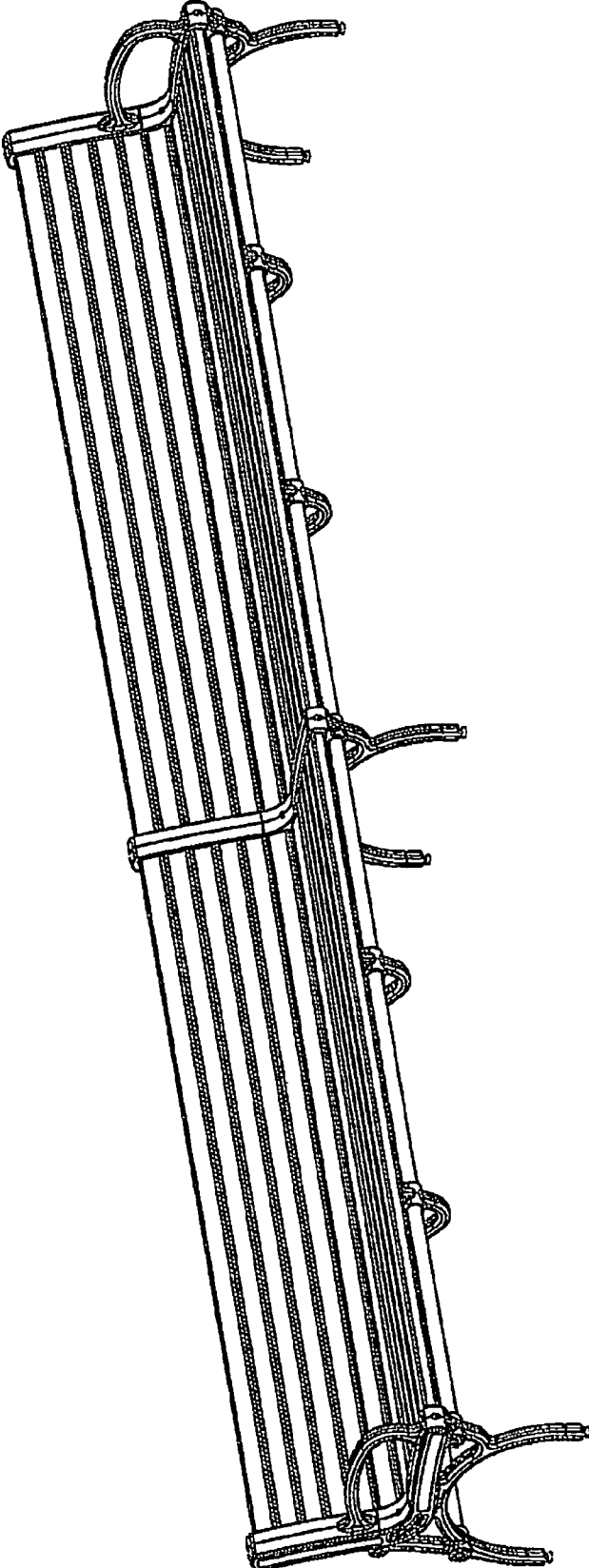


FIG. 15

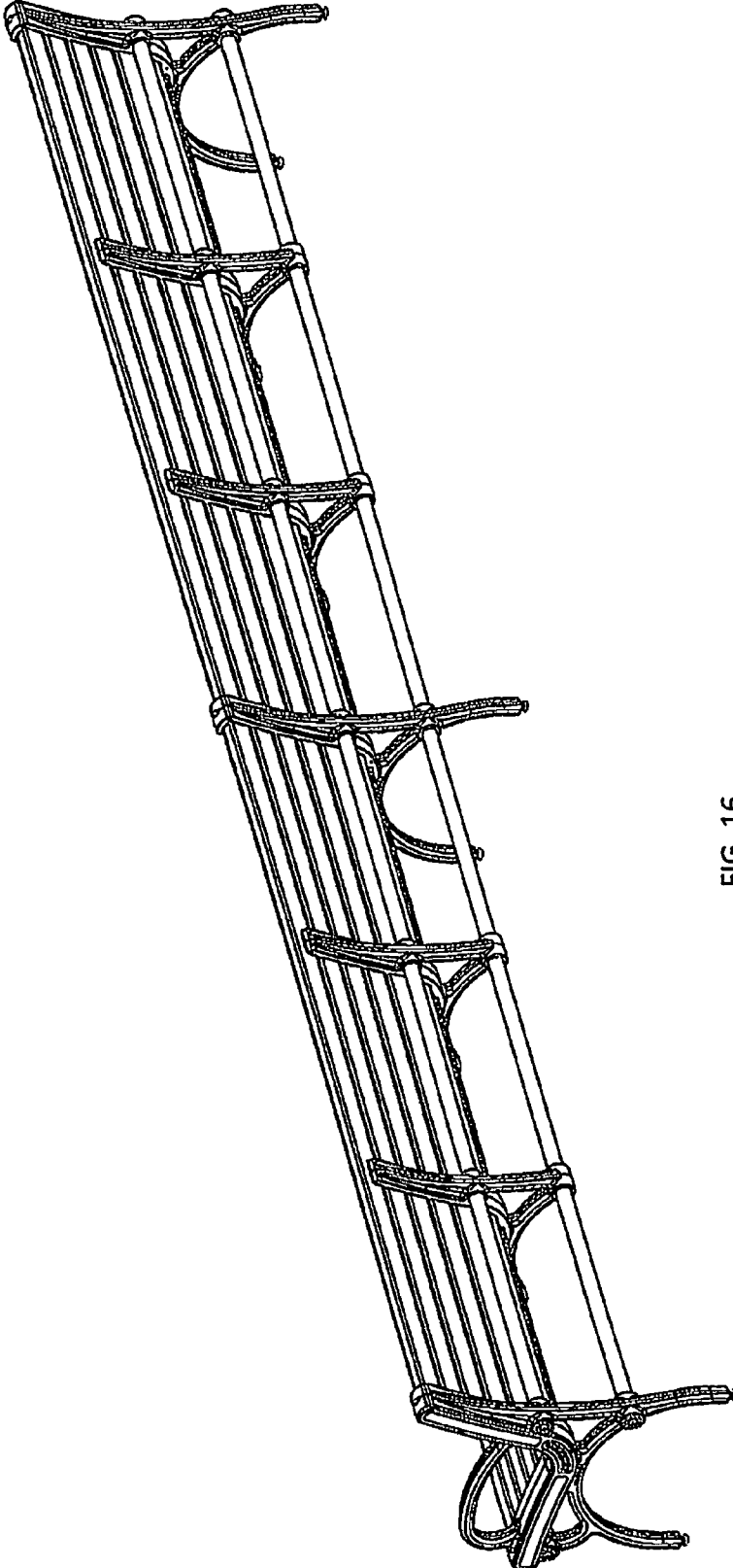
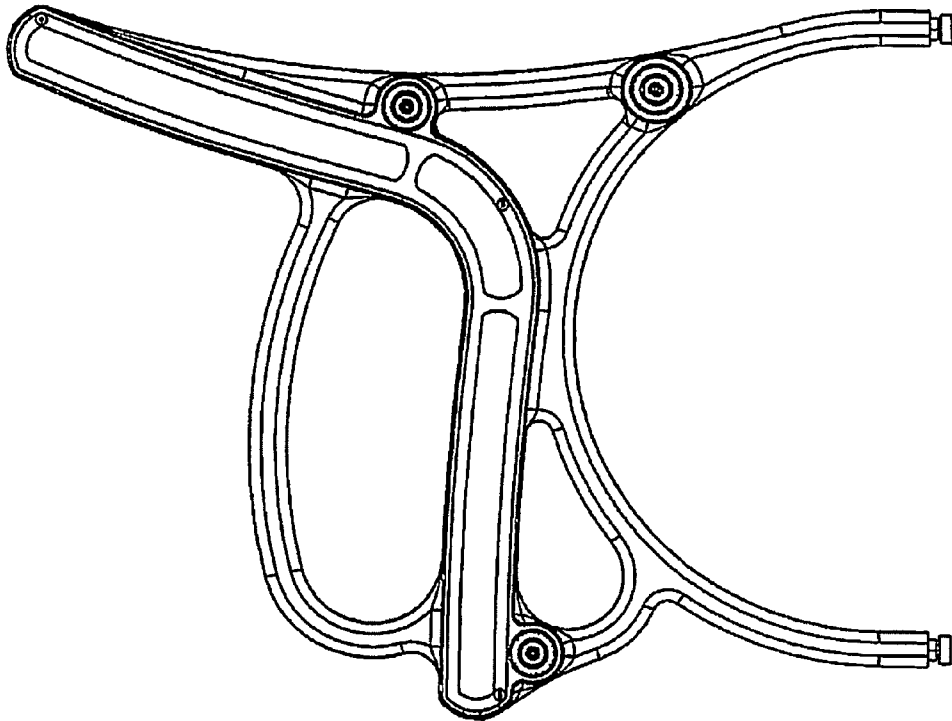


FIG. 16

FIG. 17



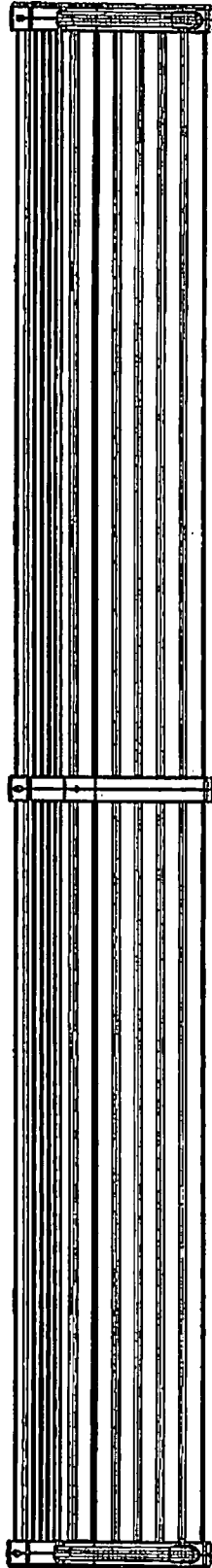


FIG. 18

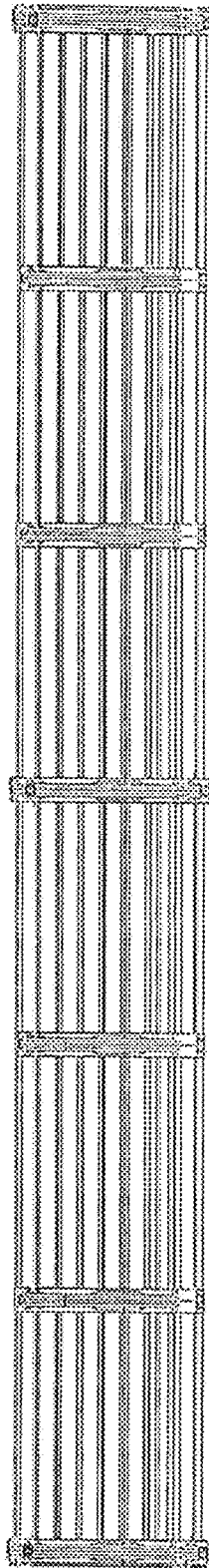


FIG. 19

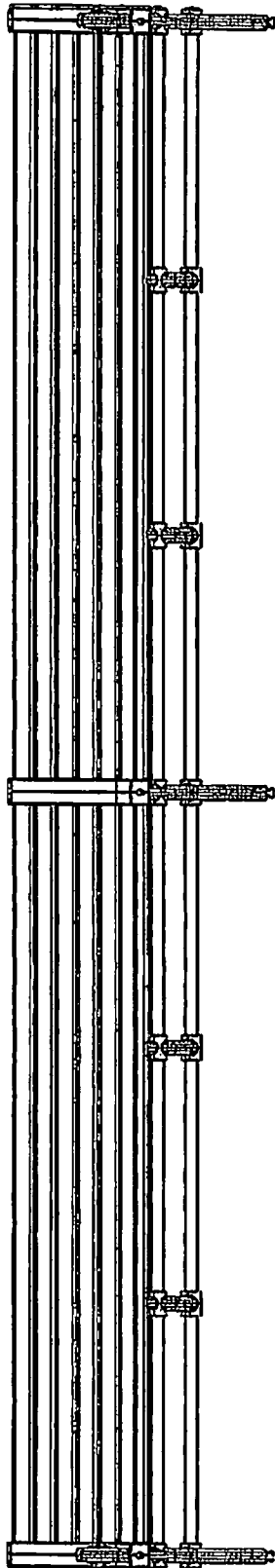


FIG. 20

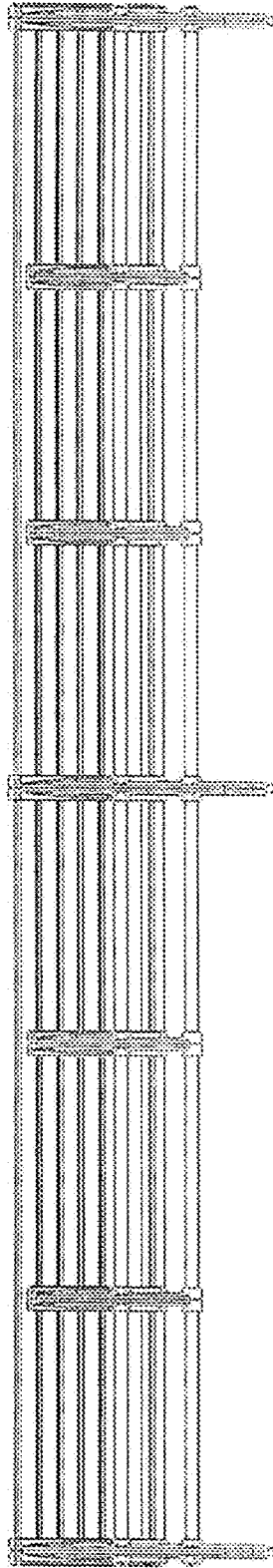


FIG. 21

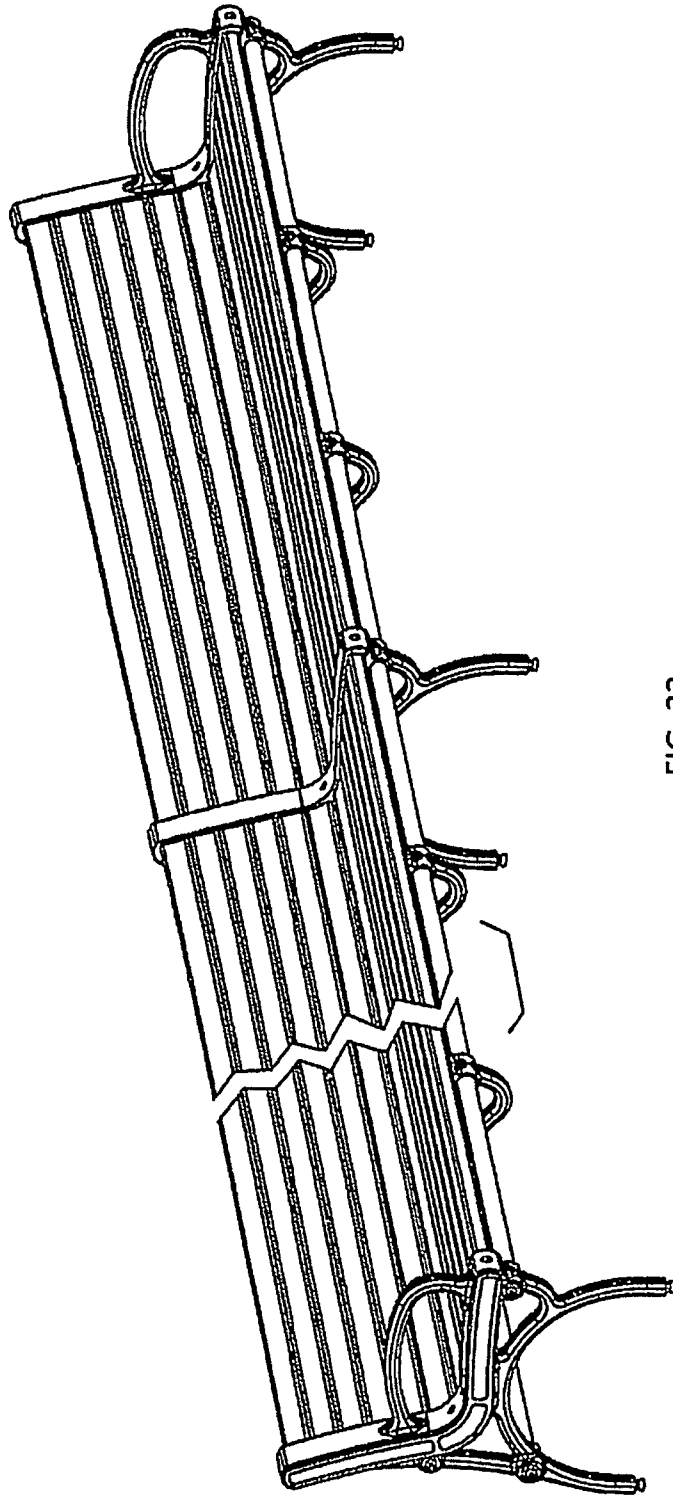


FIG. 22

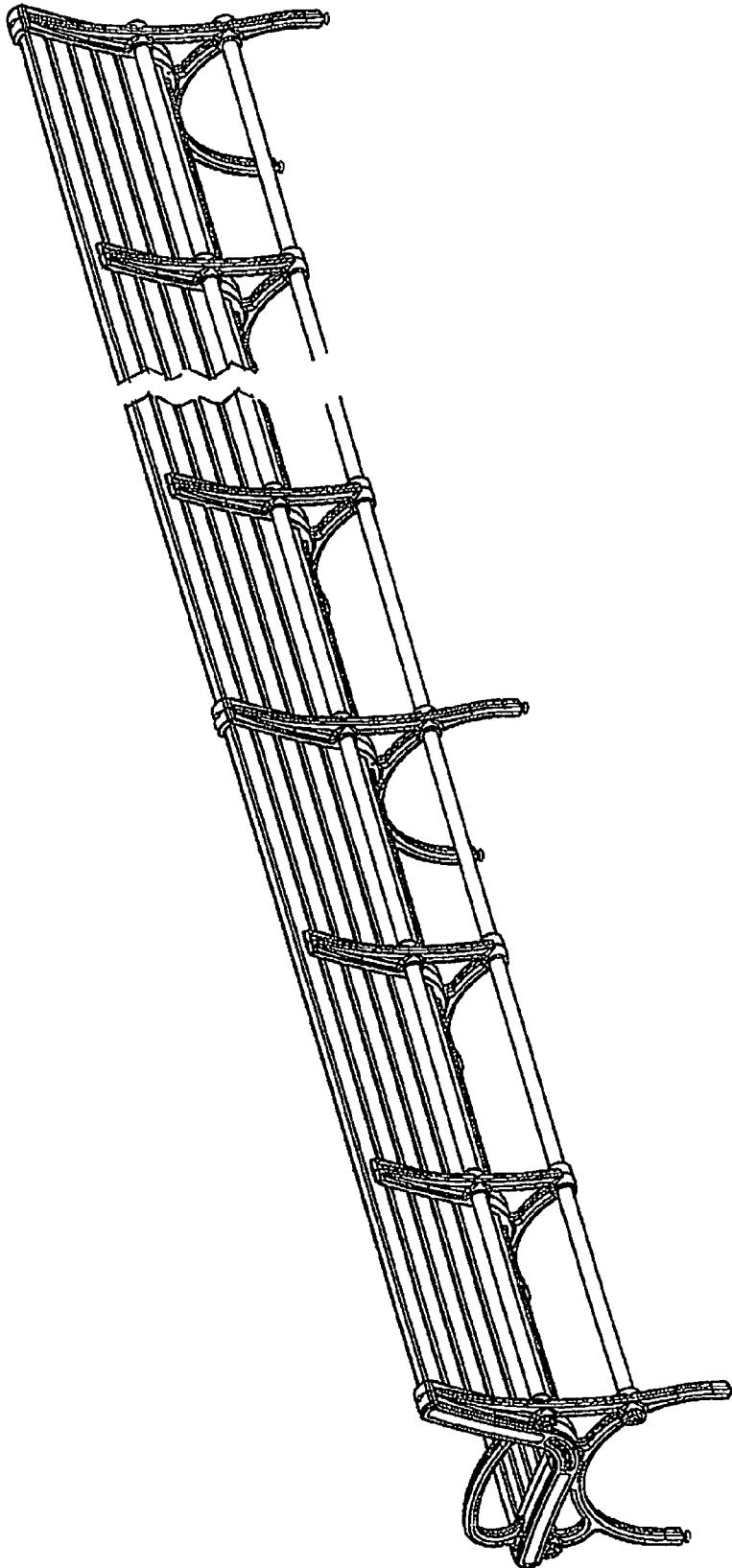
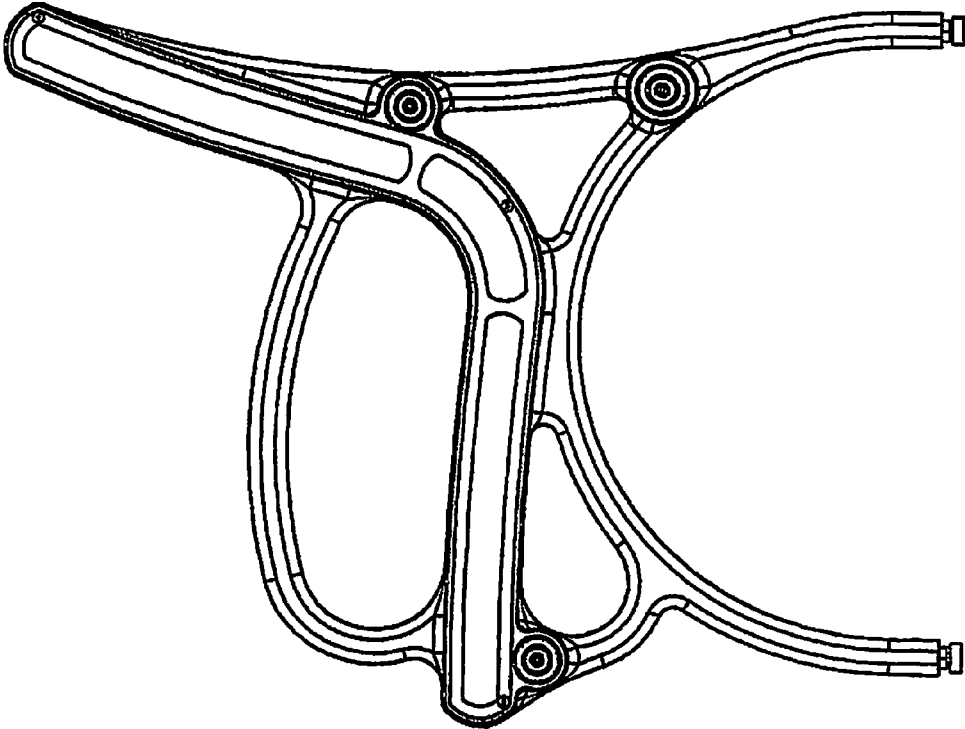


FIG. 23

FIG. 24



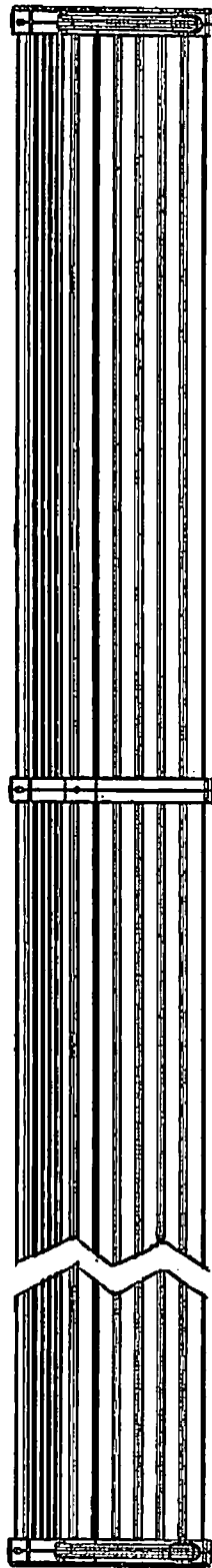


FIG. 25

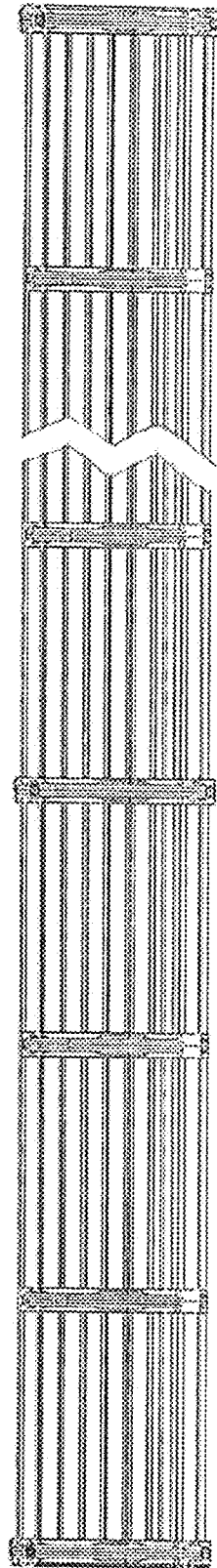


FIG. 26

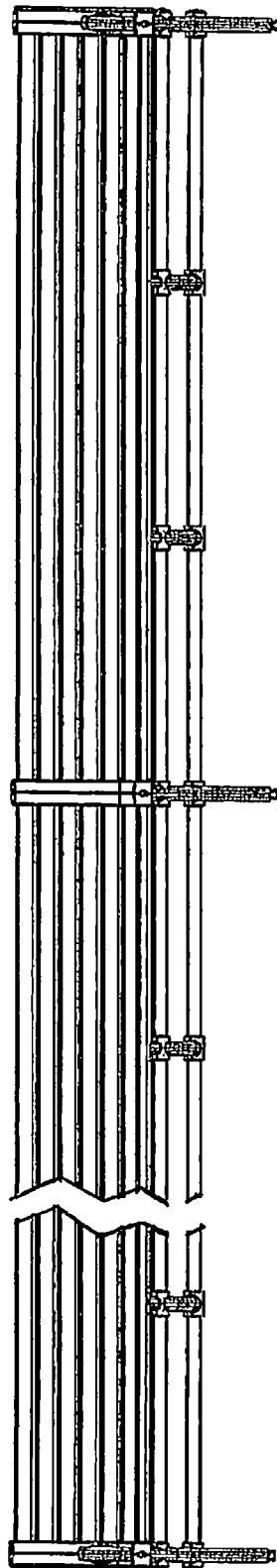


FIG. 27

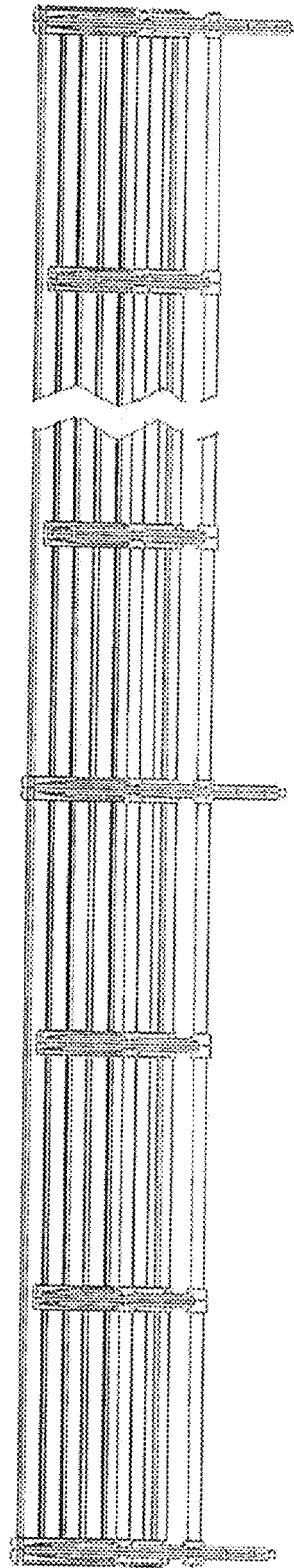


FIG. 28