

(19) World Intellectual Property Organization
International Bureau



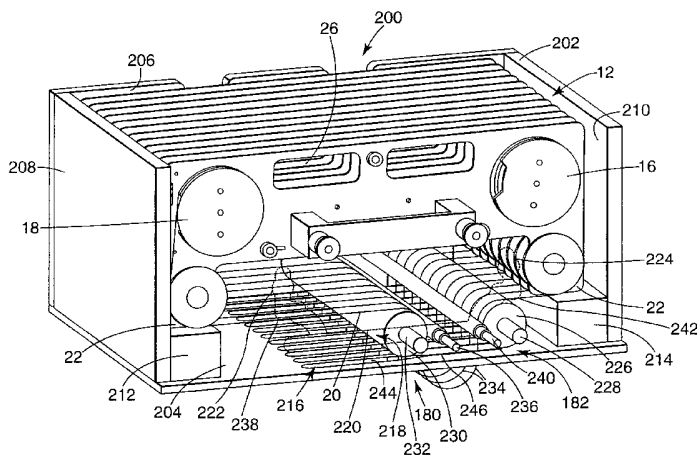
(43) International Publication Date
19 September 2002 (19.09.2002)

PCT

(10) International Publication Number
WO 02/073261 A3

- (51) International Patent Classification⁷: G02B 6/245, 6/34, 6/36
- (21) International Application Number: PCT/US01/20273
- (22) International Filing Date: 26 June 2001 (26.06.2001)
- (25) Filing Language: English
- (26) Publication Language: English
- (30) Priority Data:
09/804,761 13 March 2001 (13.03.2001) US
- (71) Applicant: 3M INNOVATIVE PROPERTIES COMPANY [US/US]; 3M Center, P.O. Box 33427, Saint Paul, MN 55133-3427 (US).
- (72) Inventors: GATICA, Anthony, W.; P.O. Box 33427, Saint Paul, MN 55133-3427 (US). BRUHN, Peter, H.; P.O. Box 33427, Saint Paul, MN 55133-3427 (US).
- (74) Agents: BALL, Alan et al.; Office of Intellectual Property Counsel, P.O. Box 33427, Saint Paul, MN 55133-3427 (US).
- (81) Designated States (*national*): AE, AG, AL, AM, AT, AU, AZ, BA, BB, BG, BR, BY, BZ, CA, CH, CN, CO, CR, CU, CZ, DE, DK, DM, DZ, EC, EE, ES, FI, GB, GD, GE, GH, GM, HR, HU, ID, IL, IN, IS, JP, KE, KG, KP, KR, KZ, LC, LK, LR, LS, LT, LU, LV, MA, MD, MG, MK, MN, MW, MX, MZ, NO, NZ, PL, PT, RO, RU, SD, SE, SG, SI, SK, SL, TJ, TM, TR, TT, TZ, UA, UG, UZ, VN, YU, ZA, ZW.
- (84) Designated States (*regional*): ARIPO patent (GH, GM, KE, LS, MW, MZ, SD, SL, SZ, TZ, UG, ZW), Eurasian patent (AM, AZ, BY, KG, KZ, MD, RU, TJ, TM), European patent (AT, BE, CH, CY, DE, DK, ES, FI, FR, GB, GR, IE, IT, LU, MC, NL, PT, SE, TR), OAPI patent (BF, BJ, CF, CG, CI, CM, GA, GN, GW, ML, MR, NE, SN, TD, TG).
- Published:
— with international search report
- (88) Date of publication of the international search report:
17 July 2003
- For two-letter codes and other abbreviations, refer to the "Guidance Notes on Codes and Abbreviations" appearing at the beginning of each regular issue of the PCT Gazette.*

(54) Title: CHEMICAL STRIPPING APPARATUS AND METHOD



(57) Abstract: A filament coating apparatus comprising a frame for releasably securing a filament, and a carriage mounted on the frame to oscillate between a first position and a second position. There is a first filament holding fixture mounted on the carriage and a second filament holding fixture also mounted on the carriage in axial alignment with the first filament holding fixture to secure a measured filament portion, preferably of an optical fiber, including a bare portion thereof, located inside a first boundary and a second boundary, between the first filament holding fixture and the second filament holding fixture. At least one spray head is attached to the frame at the first position with at least one radiation source attached to the frame at the second position. The measured filament portion moves between the spray head and the radiation source, during oscillation of the carriage between the first position and the second position to place the bare portion to receive a curable coating composition from the spray head, for application from the first boundary to the second boundary, and thereafter to cure the curable coating by exposure to radiation from the radiation source.

WO 02/073261 A3

INTERNATIONAL SEARCH REPORT

International Application No
PCT/US 01/20273

<p>A. CLASSIFICATION OF SUBJECT MATTER IPC 7 G02B6/245 G02B6/34 G02B6/36</p>		
<p>According to International Patent Classification (IPC) or to both national classification and IPC</p>		
<p>B. FIELDS SEARCHED</p>		
<p>Minimum documentation searched (classification system followed by classification symbols) IPC 7 G02B H02G</p>		
<p>Documentation searched other than minimum documentation to the extent that such documents are included in the fields searched</p>		
<p>Electronic data base consulted during the international search (name of data base and, where practical, search terms used) EPO-Internal, PAJ, WPI Data</p>		
<p>C. DOCUMENTS CONSIDERED TO BE RELEVANT</p>		
Category °	Citation of document, with indication, where appropriate, of the relevant passages	Relevant to claim No.
X	US 6 179 191 B1 (CHOPP JOSEPH) 30 January 2001 (2001-01-30)	1-6
Y	abstract; figures 5C,6A ----	9
X	JP 63 188485 A (TORAY IND INC;OTHERS: 01) 4 August 1988 (1988-08-04)	1,6
	abstract; figure 1 ----	
A	JP 2000 193828 A (SUMITOMO ELECTRIC IND LTD) 14 July 2000 (2000-07-14)	1-10
	abstract; figure 1 ----	
Y	JP 03 186806 A (SUMITOMO ELECTRIC IND LTD) 14 August 1991 (1991-08-14)	9
A	abstract; figures 1,2 -----	1-8,10
<p><input type="checkbox"/> Further documents are listed in the continuation of box C. <input checked="" type="checkbox"/> Patent family members are listed in annex.</p>		
<p>° Special categories of cited documents :</p>		
<p>*A* document defining the general state of the art which is not considered to be of particular relevance</p>		<p>*T* later document published after the international filing date or priority date and not in conflict with the application but cited to understand the principle or theory underlying the invention</p> <p>*X* document of particular relevance; the claimed invention cannot be considered novel or cannot be considered to involve an inventive step when the document is taken alone</p> <p>*Y* document of particular relevance; the claimed invention cannot be considered to involve an inventive step when the document is combined with one or more other such documents, such combination being obvious to a person skilled in the art.</p> <p>*&* document member of the same patent family</p>
<p>*E* earlier document but published on or after the international filing date</p>		
<p>*L* document which may throw doubts on priority claim(s) or which is cited to establish the publication date of another citation or other special reason (as specified)</p>		
<p>*O* document referring to an oral disclosure, use, exhibition or other means</p>		
<p>*P* document published prior to the international filing date but later than the priority date claimed</p>		
<p>Date of the actual completion of the international search 27 March 2003</p>		
<p>Date of mailing of the international search report 04/04/2003</p>		
<p>Name and mailing address of the ISA European Patent Office, P.B. 5818 Patentlaan 2 NL - 2280 HV Rijswijk Tel. (+31-70) 340-2040, Tx. 31 651 epo nl, Fax: (+31-70) 340-3016</p>		<p>Authorized officer Elflein, W</p>

INTERNATIONAL SEARCH REPORT

Information on patent family members

International Application No
PCT/US 01/20273

Patent document cited in search report	Publication date	Patent family member(s)	Publication date
US 6179191	B1	30-01-2001	NONE
JP 63188485	A	04-08-1988	NONE
JP 2000193828	A	14-07-2000	NONE
JP 03186806	A	14-08-1991	NONE