



US00D724945S

(12) **United States Design Patent**  
**Davis et al.**

(10) **Patent No.:** **US D724,945 S**

(45) **Date of Patent:** **\*\* Mar. 24, 2015**

(54) **DOSING CAP**

(71) Applicant: **The Procter & Gamble Company**,  
Cincinnati, OH (US)

(72) Inventors: **William John Davis**, Bath (GB); **Raf**  
**Gustaaf Alfons Degeyter**, Donk (BE);  
**David James McNeill**, Bath (GB);  
**Pieter Paul Dirk Jenny Maria Van Den**  
**Bergh**, St. Martens Latem (BE)

(73) Assignee: **The Procter & Gamble Company**,  
Cincinnati, OH (US)

(\*\*) Term: **14 Years**

(21) Appl. No.: **29/473,624**

(22) Filed: **Nov. 25, 2013**

(30) **Foreign Application Priority Data**

May 29, 2013 (WO) ..... 768773701

(51) **LOC (10) Cl.** ..... **09-07**

(52) **U.S. Cl.**  
USPC ..... **D9/447**

(58) **Field of Classification Search**  
USPC ..... D6/452-545; D7/300, 321, 392.1,  
D7/396.2, 500, 507, 509, 510, 511, 900;  
D9/434-448, 452-455, 682, 685, 694;  
215/200, 235, 236, 252, 254, 329,  
215/355-364; 220/203.04-203.07, 220,  
220/254.1, 254.4, 556, 703, 704, 705

See application file for complete search history.

(56) **References Cited**

U.S. PATENT DOCUMENTS

D285,515 S *	9/1986	Papciak	.....	D7/509
D435,759 S *	1/2001	Durbin et al.	.....	D7/396.2
D451,021 S *	11/2001	Berge et al.	.....	D9/445
D622,101 S *	8/2010	Tune	.....	D7/509
D667,300 S	9/2012	Davis et al.	.....	
D684,775 S *	6/2013	Floyd et al.	.....	D4/114
D689,364 S *	9/2013	Sanders	.....	D9/436
D689,664 S *	9/2013	Dietvorst et al.	.....	D32/75
D701,120 S *	3/2014	Sanders	.....	D9/436

FOREIGN PATENT DOCUMENTS

WO DM/082262 11/2013

\* cited by examiner

*Primary Examiner* — Robert M Spear

*Assistant Examiner* — Marissa J Cash

(74) *Attorney, Agent, or Firm* — Melissa G Krasovec

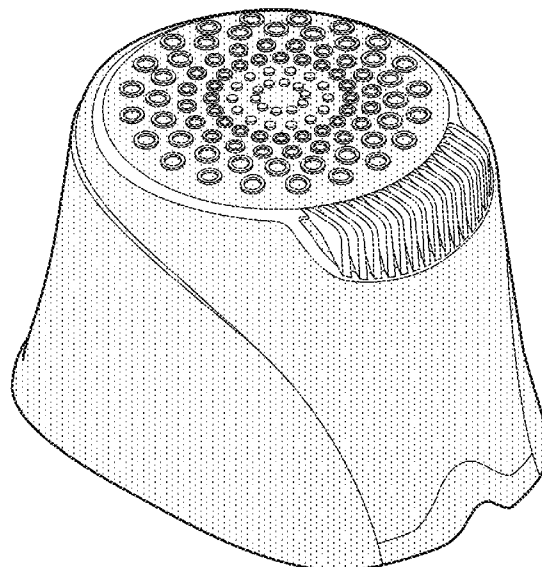
(57) **CLAIM**

The ornamental design for a dosing cap or the like, as shown and described above.

**DESCRIPTION**

FIG. 1 is a perspective view of a dosing cap;  
FIG. 2 is a left side view thereof;  
FIG. 3 is a right side view thereof;  
FIG. 4 is a front view thereof;  
FIG. 5 is a rear view thereof;  
FIG. 6 is a top plan view thereof; and,  
FIG. 7 is a bottom view thereof.  
The drawings are shaded to indicate contrasting surfaces and broken lines depict unclaimed subject matter and form no part of the claim.

**1 Claim, 7 Drawing Sheets**



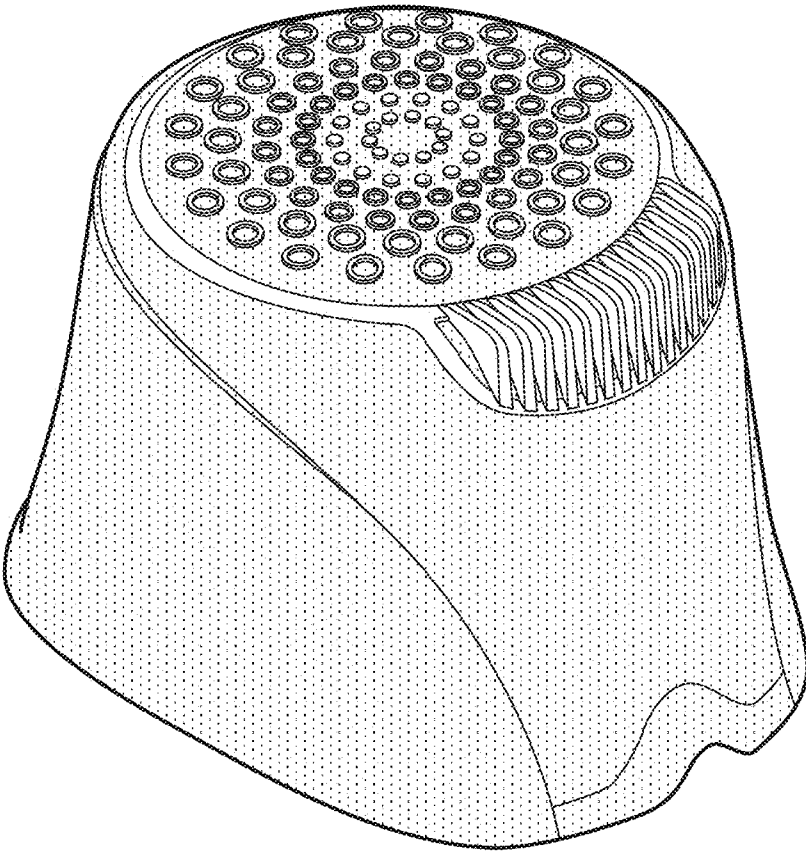


FIG. 1

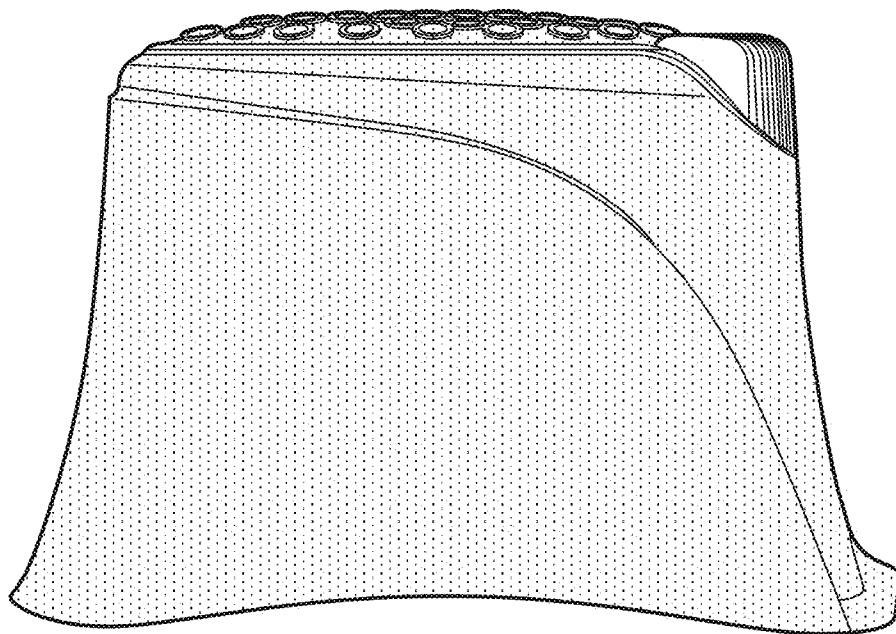


FIG. 2

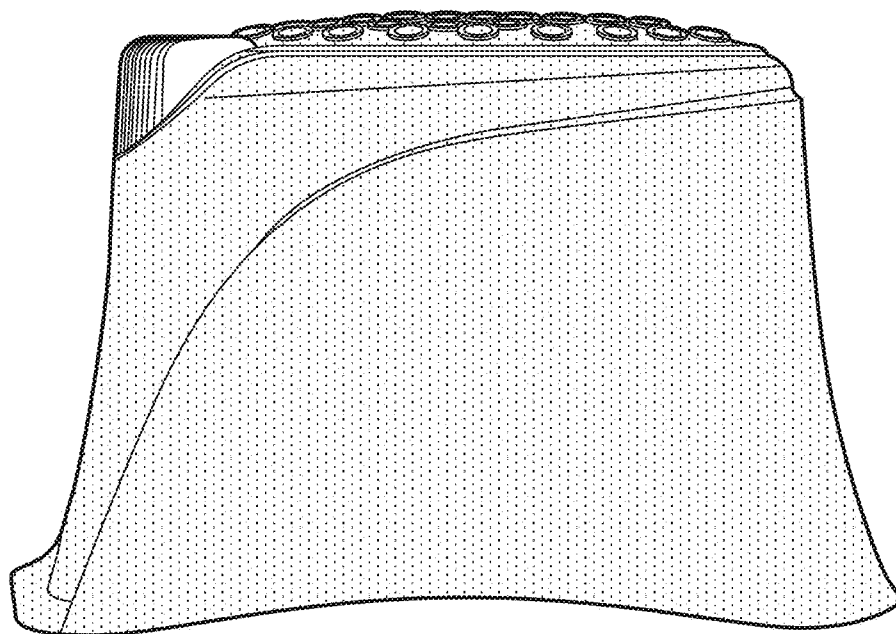


FIG. 3

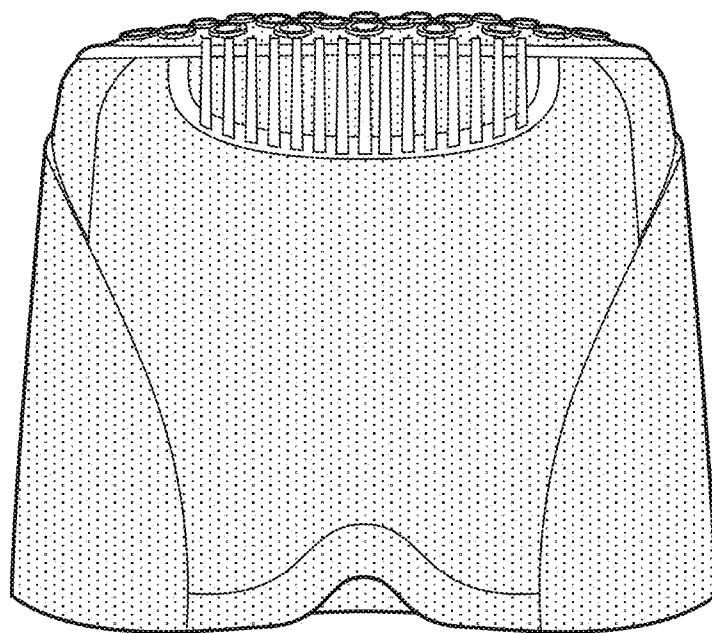


FIG. 4

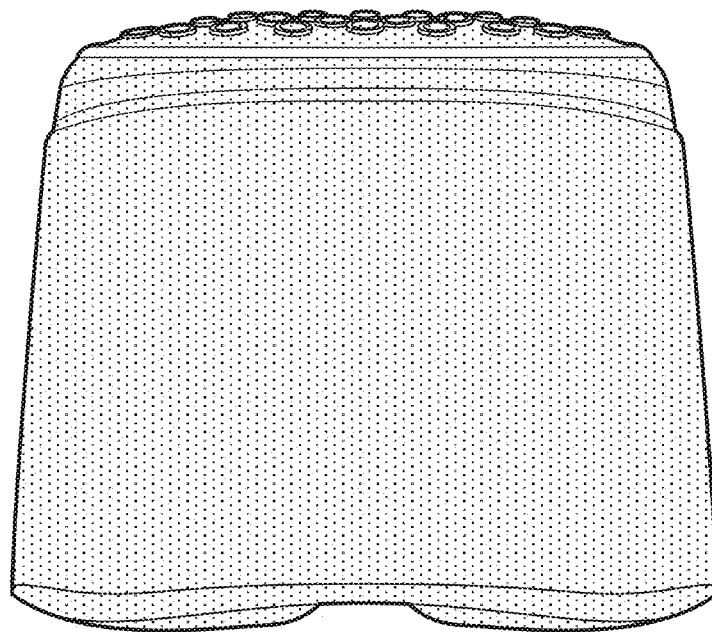


FIG. 5

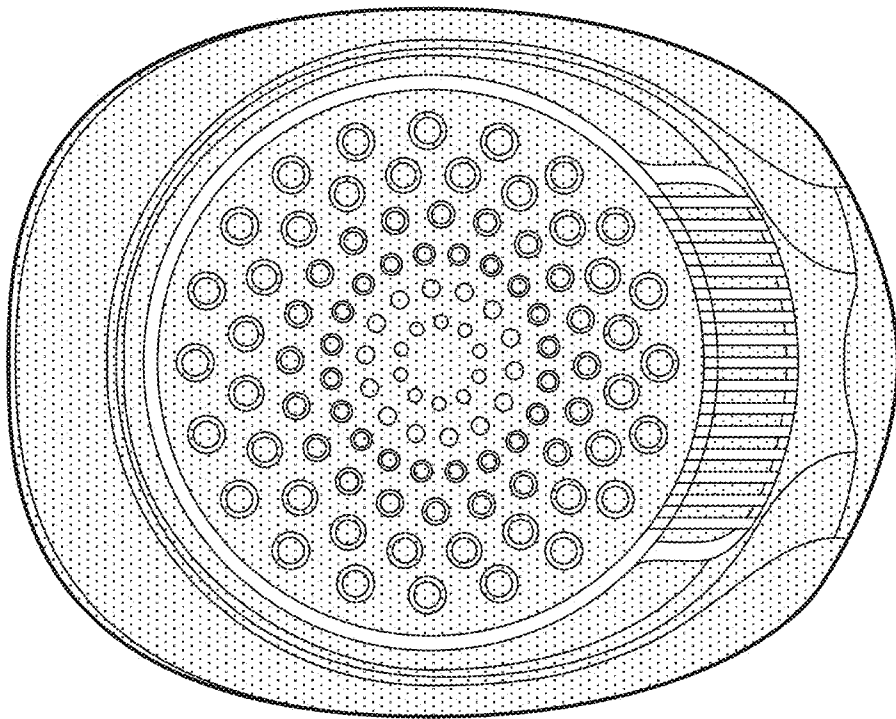


FIG. 6

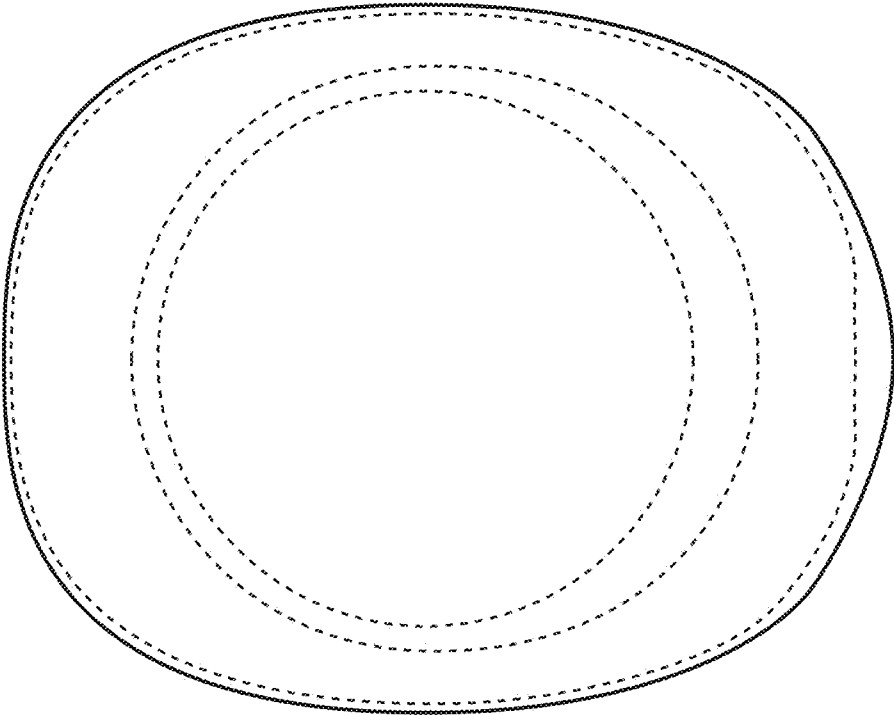


FIG. 7