



US00D711609S

(12) **United States Design Patent**
Libman et al.

(10) **Patent No.:** **US D711,609 S**

(45) **Date of Patent:** **** Aug. 19, 2014**

(54) **DUSTPAN**
(71) Applicant: **The Libman Company**, Arcola, IL (US)
(72) Inventors: **Robert J. Libman**, Arcola, IL (US);
Tobia Berti, Venice (IT)

(73) Assignee: **The Libman Company**, Arcola, IL (US)

(**) Term: **14 Years**

(21) Appl. No.: **29/476,560**

(22) Filed: **Dec. 13, 2013**

(51) **LOC (10) Cl.** **07-05**

(52) **U.S. Cl.**
USPC **D32/74**

(58) **Field of Classification Search**
CPC A47L 13/52; A47L 13/51; A46B 15/00;
A46B 15/97; A46B 15/95; A46B 17/04;
A46B 5/04; A46B 5/00; A46B 2200/302
USPC D32/74, 41; D30/162; D7/691, 688;
D4/116; 15/257.5, 257.3, 257.2, 257.1;
134/6

See application file for complete search history.

(56) **References Cited**

U.S. PATENT DOCUMENTS

2,255,715 A * 9/1941 Samms 15/257.2
D184,504 S * 3/1959 Bliss D32/74

D267,592 S * 1/1983 Payne et al. D32/74
D470,289 S * 2/2003 Petner D32/74
D602,214 S * 10/2009 Petersen D30/162
D630,403 S * 1/2011 Raven D32/74
D673,340 S * 12/2012 Dobson, III D32/74
D675,493 S * 2/2013 Cie la D8/10
D687,204 S * 7/2013 Vasilakes et al. D32/74

* cited by examiner

Primary Examiner — Austin Murphy

(74) *Attorney, Agent, or Firm* — Banner & Witcoff, Ltd.

(57) **CLAIM**

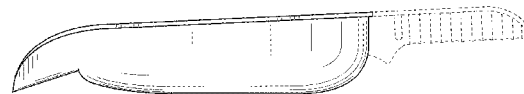
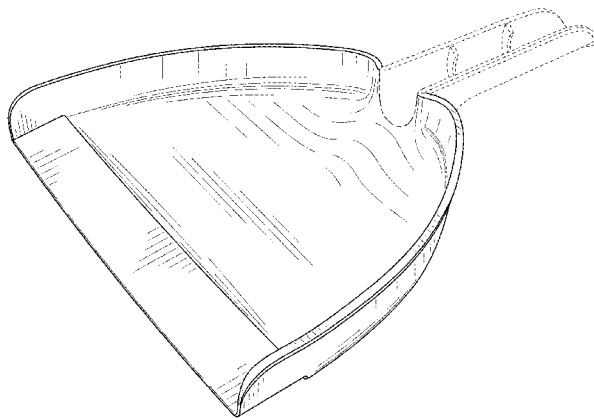
The ornamental design for a dustpan, as shown and described.

DESCRIPTION

FIG. 1 is a top, front, right perspective view of a dustpan showing a first embodiment of our new design; FIG. 2 is a top view thereof; FIG. 3 is a right side view thereof; FIG. 4 is a left side view thereof; FIG. 5 is a top, front, right perspective view of a dustpan showing a second embodiment of our new design; FIG. 6 is a top view thereof; FIG. 7 is a right side view thereof; and, FIG. 8 is a left side view thereof.

The uneven-length broken lines represent unclaimed boundaries of the claimed design. The even-length broken lines showing the remainder of the dustpan are for environmental purposes only and form no part of the claimed design.

1 Claim, 6 Drawing Sheets



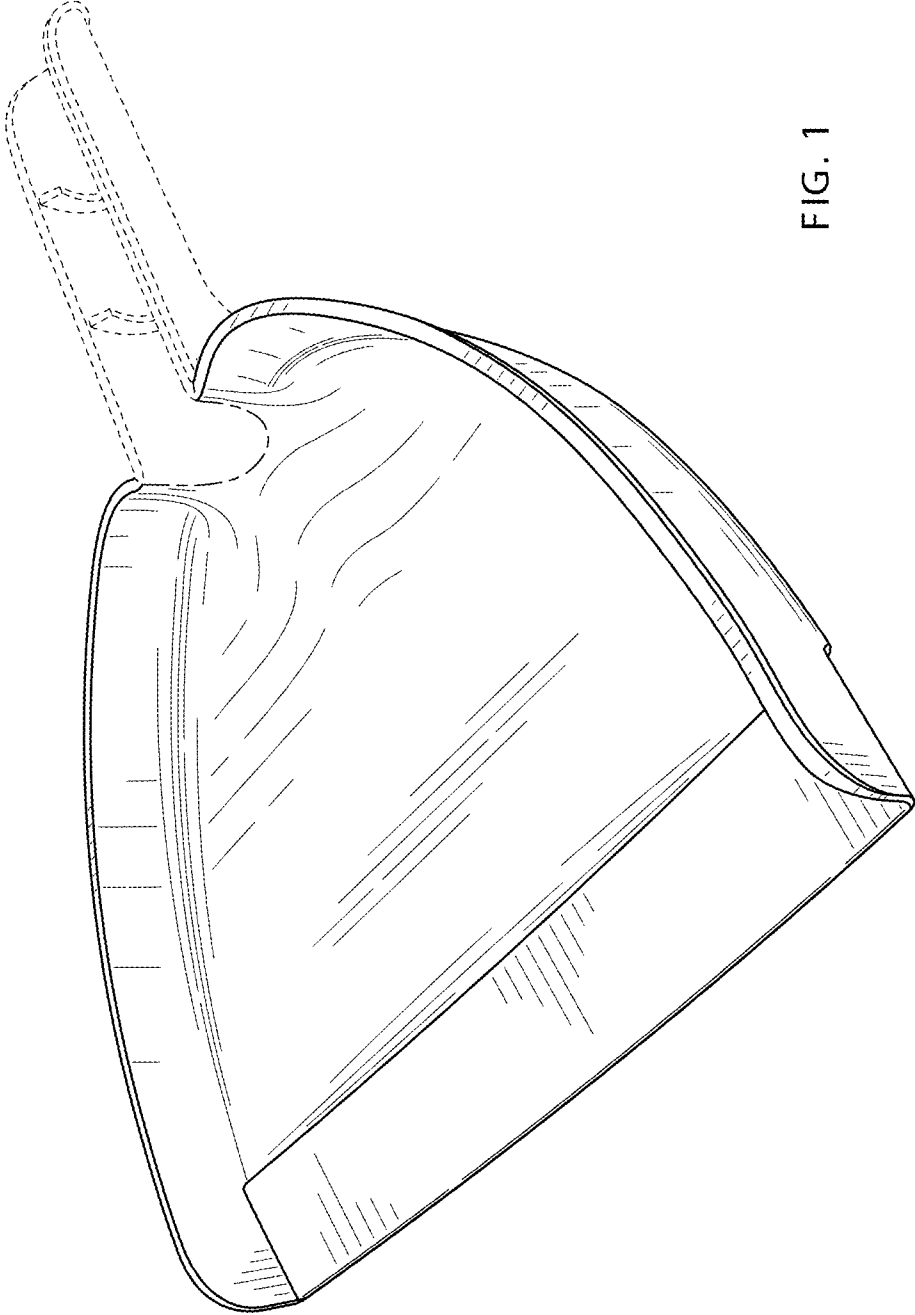


FIG. 1

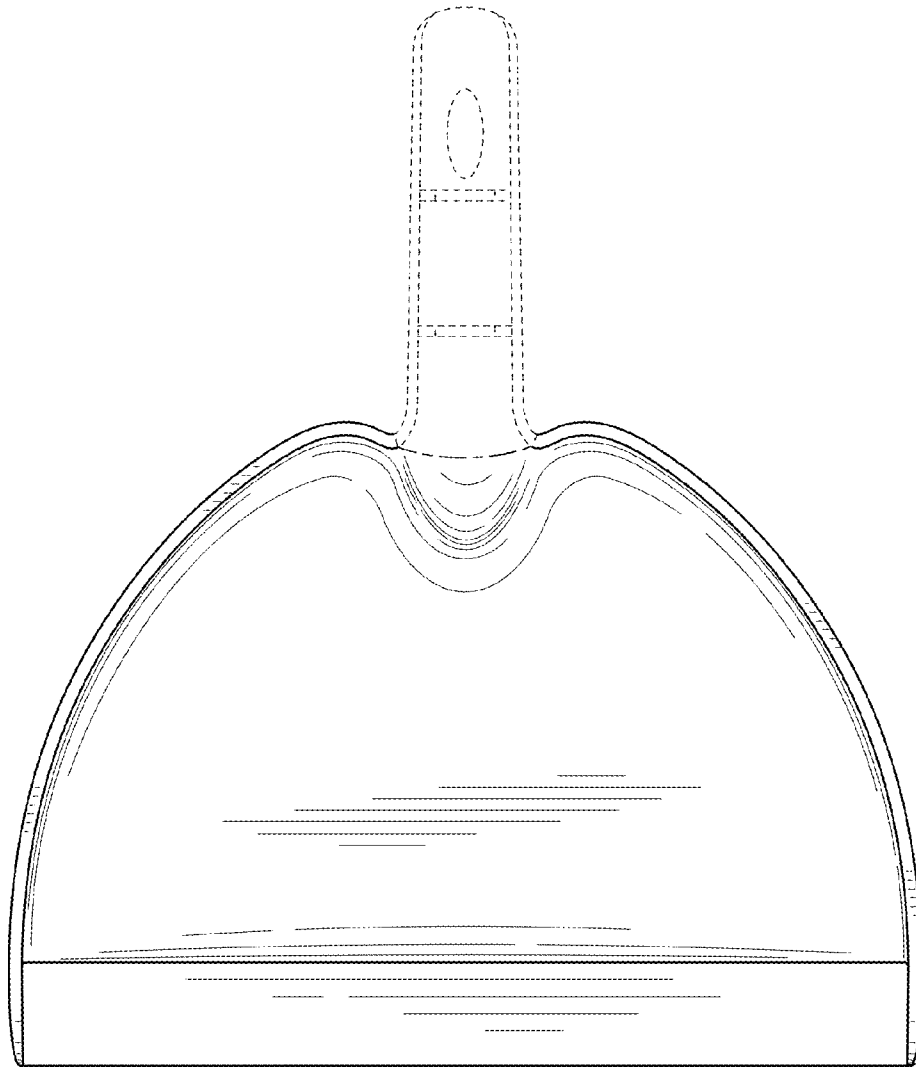


FIG. 2

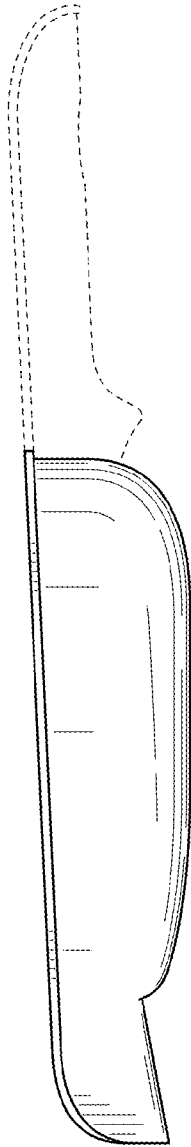


FIG. 3

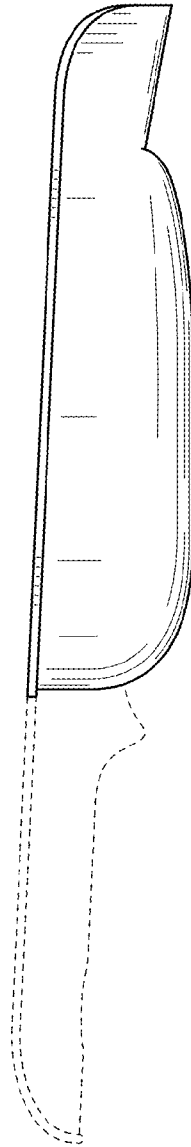


FIG. 4

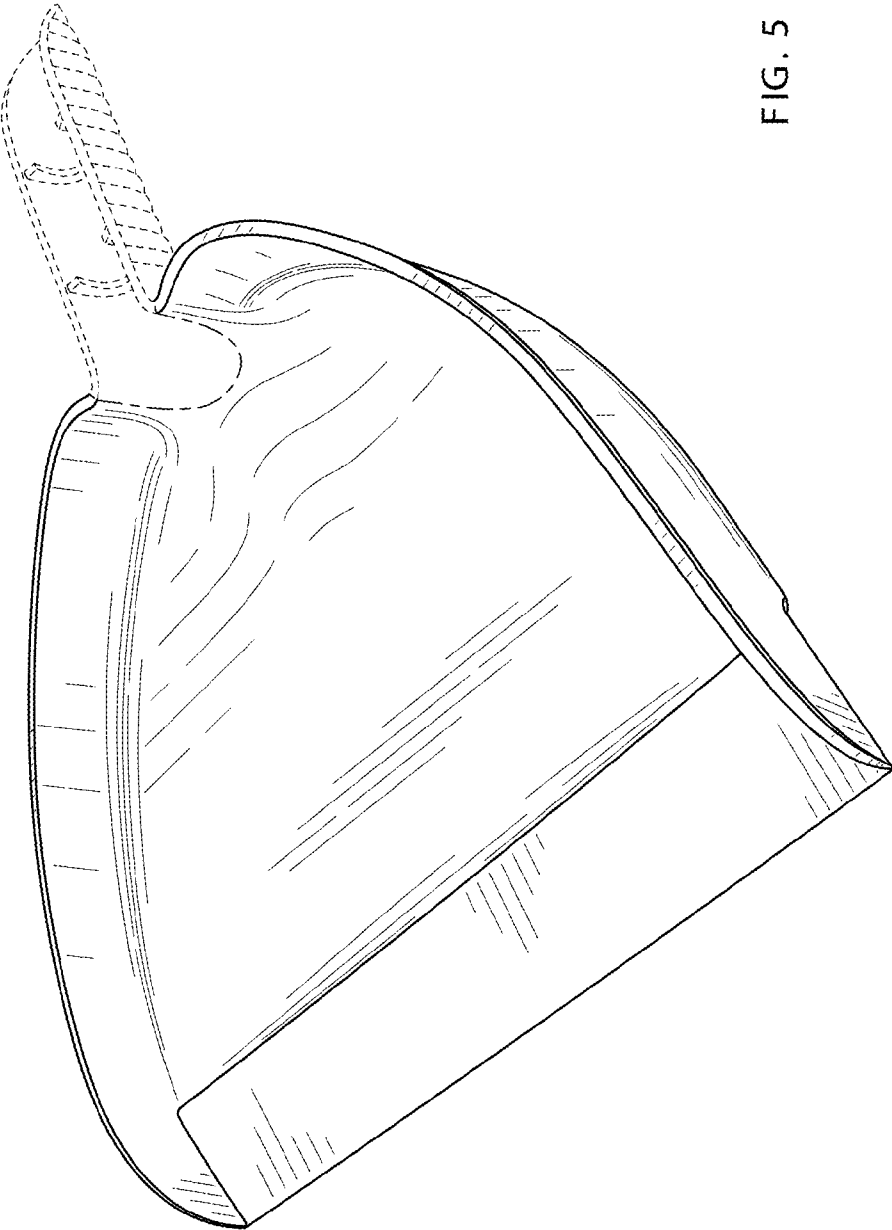


FIG. 5

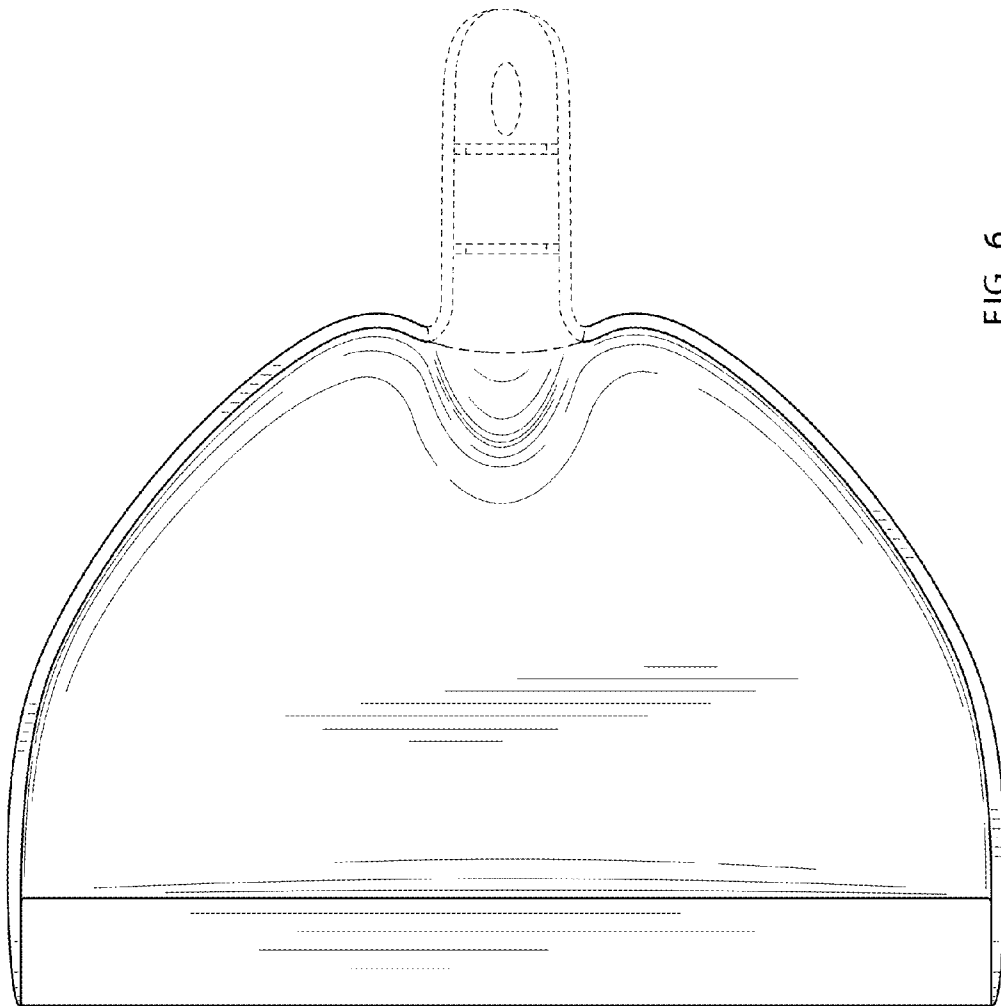


FIG. 6

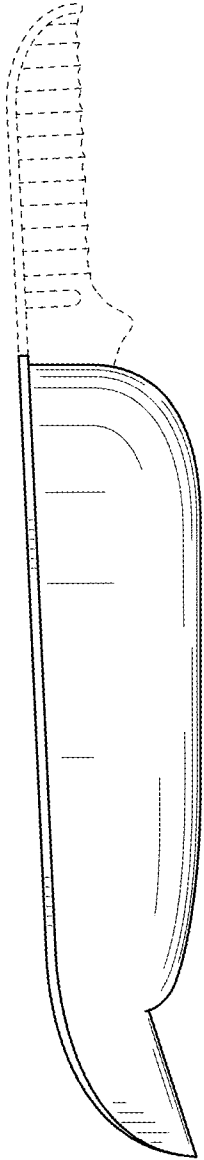


FIG. 7

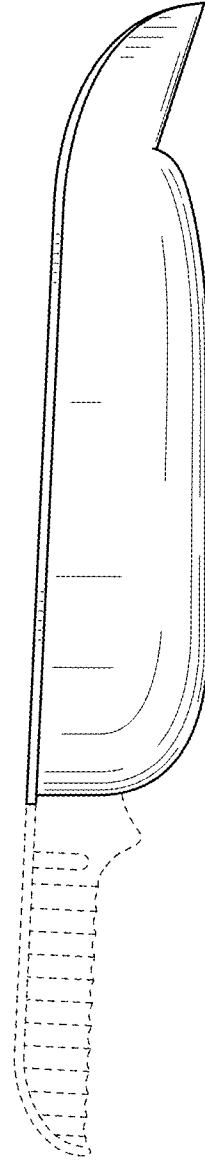


FIG. 8