



US00D552128S

(12) **United States Design Patent**
Li

(10) **Patent No.:** **US D552,128 S**

(45) **Date of Patent:** **** Oct. 2, 2007**

(54) **GASOLINE ENGINE**

(75) Inventor: **Wenshan Li**, Chongqing (CN)

(73) Assignee: **Chongqing ZongShen Technology R & D Co., Ltd.**, Chongqing (CN)

(**) Term: **14 Years**

(21) Appl. No.: **29/214,070**

(22) Filed: **Sep. 28, 2004**

(30) **Foreign Application Priority Data**

May 24, 2004 (CN) 2004 3 0050857

(51) **LOC (8) Cl.** **15-01**

(52) **U.S. Cl.** **D15/1**

(58) **Field of Classification Search** D15/1-5,
D15/14, 16-17, 149; 74/606 R; 123/41.66,
123/41.67, 41.7, 50 A, 50 B, 50 R, 51 R,
123/51 A, 195 C, 198 E, 306, 308, 657, 667,
123/661

See application file for complete search history.

(56) **References Cited**

U.S. PATENT DOCUMENTS

D309,458 S * 7/1990 Johnson et al. D15/1
D331,929 S * 12/1992 Leaf et al. D15/1
D387,357 S * 12/1997 Gilmore D15/1

D396,476 S * 7/1998 Shimizu D15/1
D449,051 S * 10/2001 Miyashita D15/1
D503,723 S * 4/2005 Giddens D15/1

* cited by examiner

Primary Examiner—Charles A. Rademaker

Assistant Examiner—Maurice Stevens

(74) *Attorney, Agent, or Firm*—Venable LLP; Robert Kinberg

(57) **CLAIM**

The ornamental design for a gasoline engine, as shown and described.

DESCRIPTION

FIG. 1 is a perspective view from the front-top-right side of the gasoline engine showing our new design;

FIG. 2 is a front view of the design shown in FIG. 1;

FIG. 3 is a rear view of the design shown in FIG. 1;

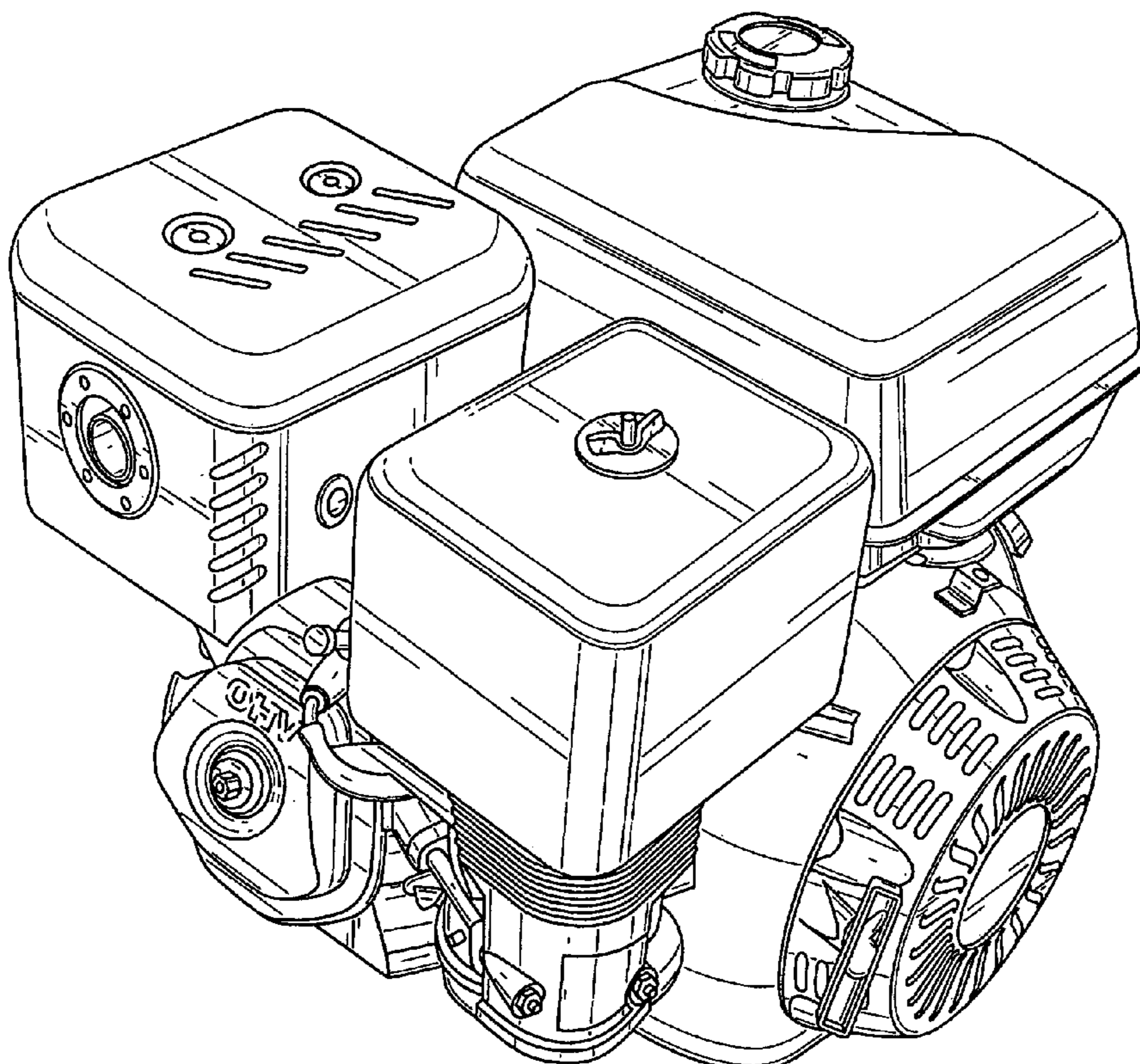
FIG. 4 is a left side view of the design shown in FIG. 1;

FIG. 5 is a right side view of the design shown in FIG. 1; and,

FIG. 6 is a top view of the design shown in FIG. 1.

The broken lines shown in FIG. 2 are included for the purpose of illustrating environment and form no part of the claimed design.

1 Claim, 6 Drawing Sheets



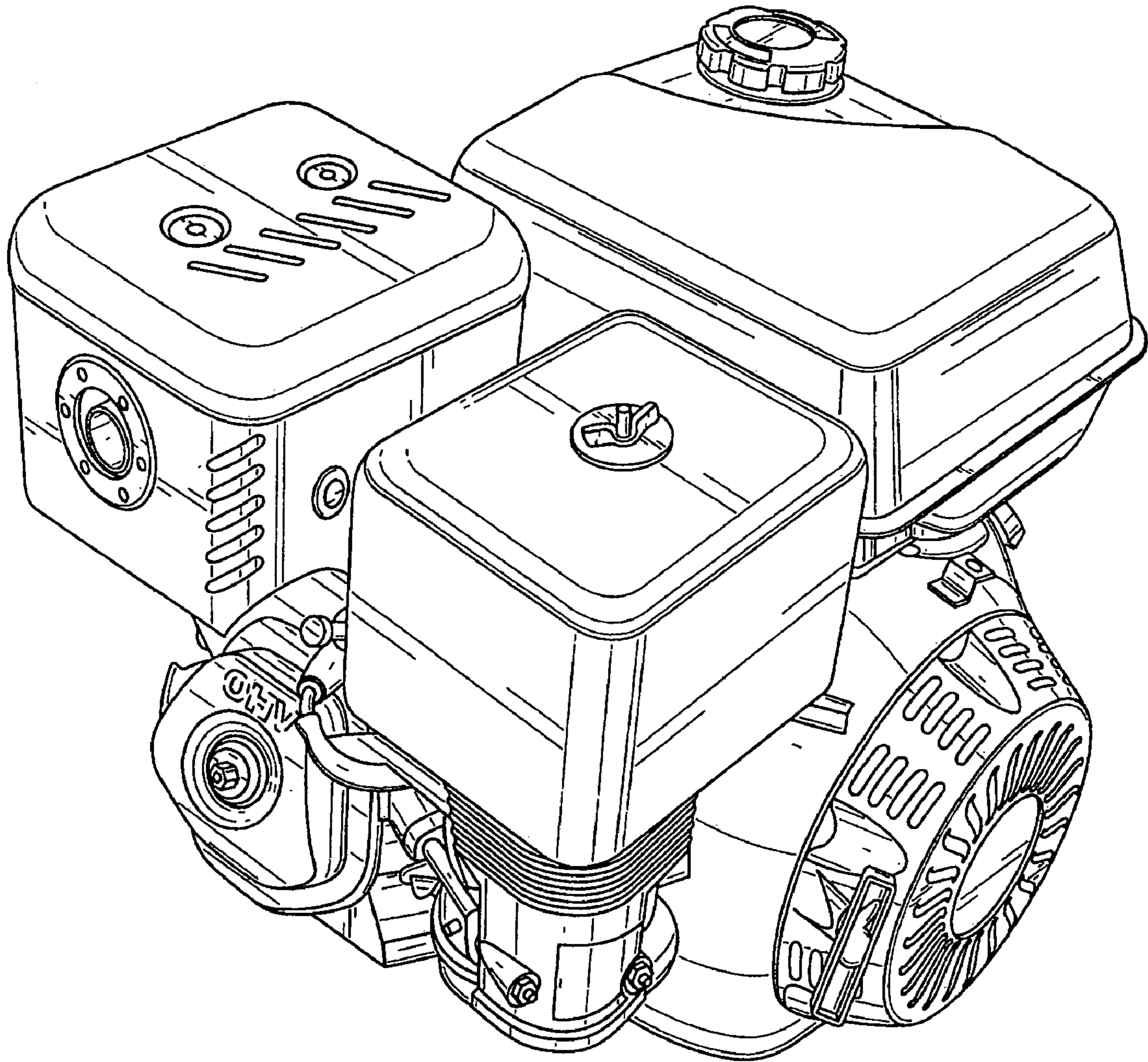


FIG. 1

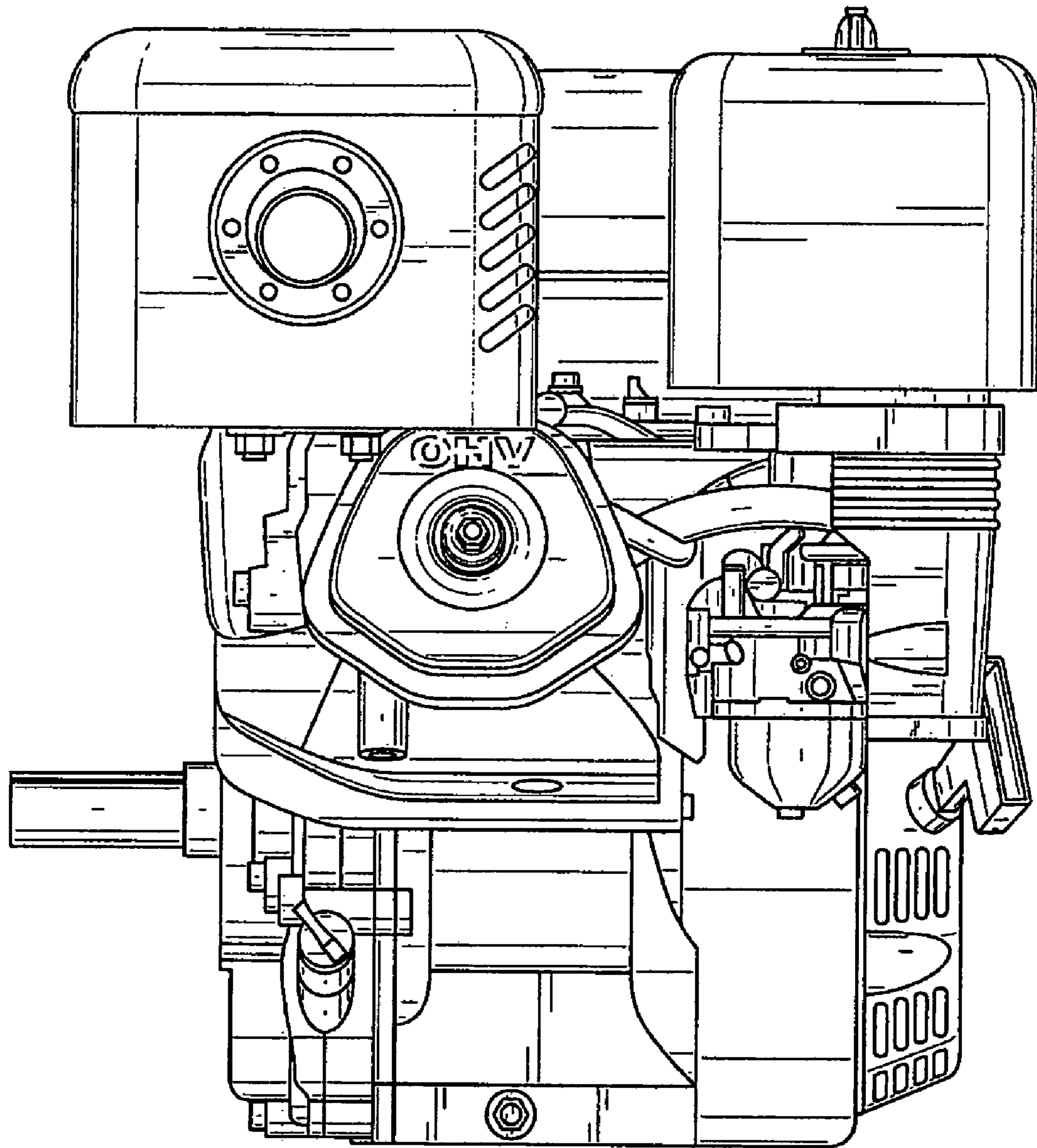


FIG. 2

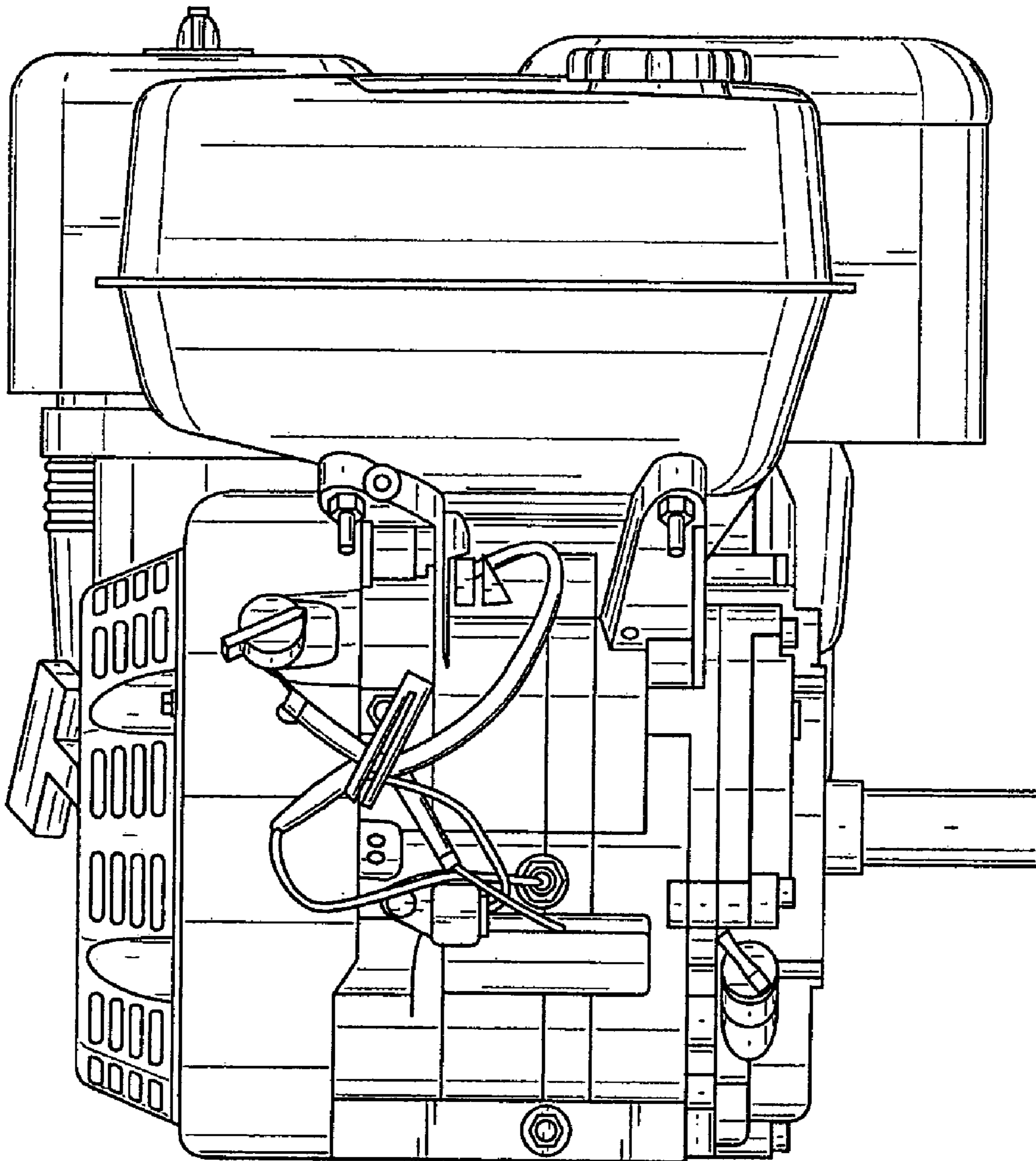


FIG. 3

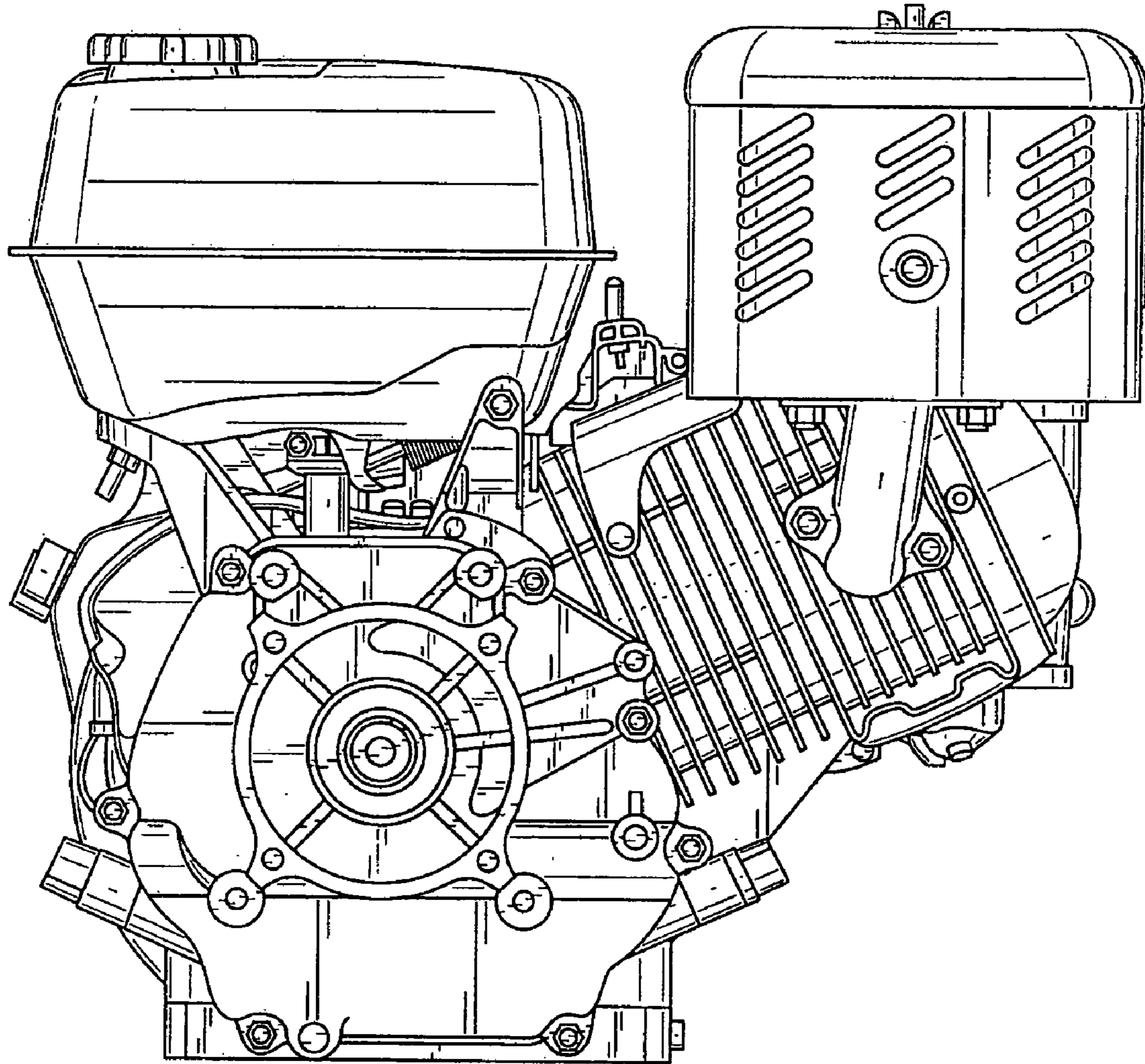


FIG. 4

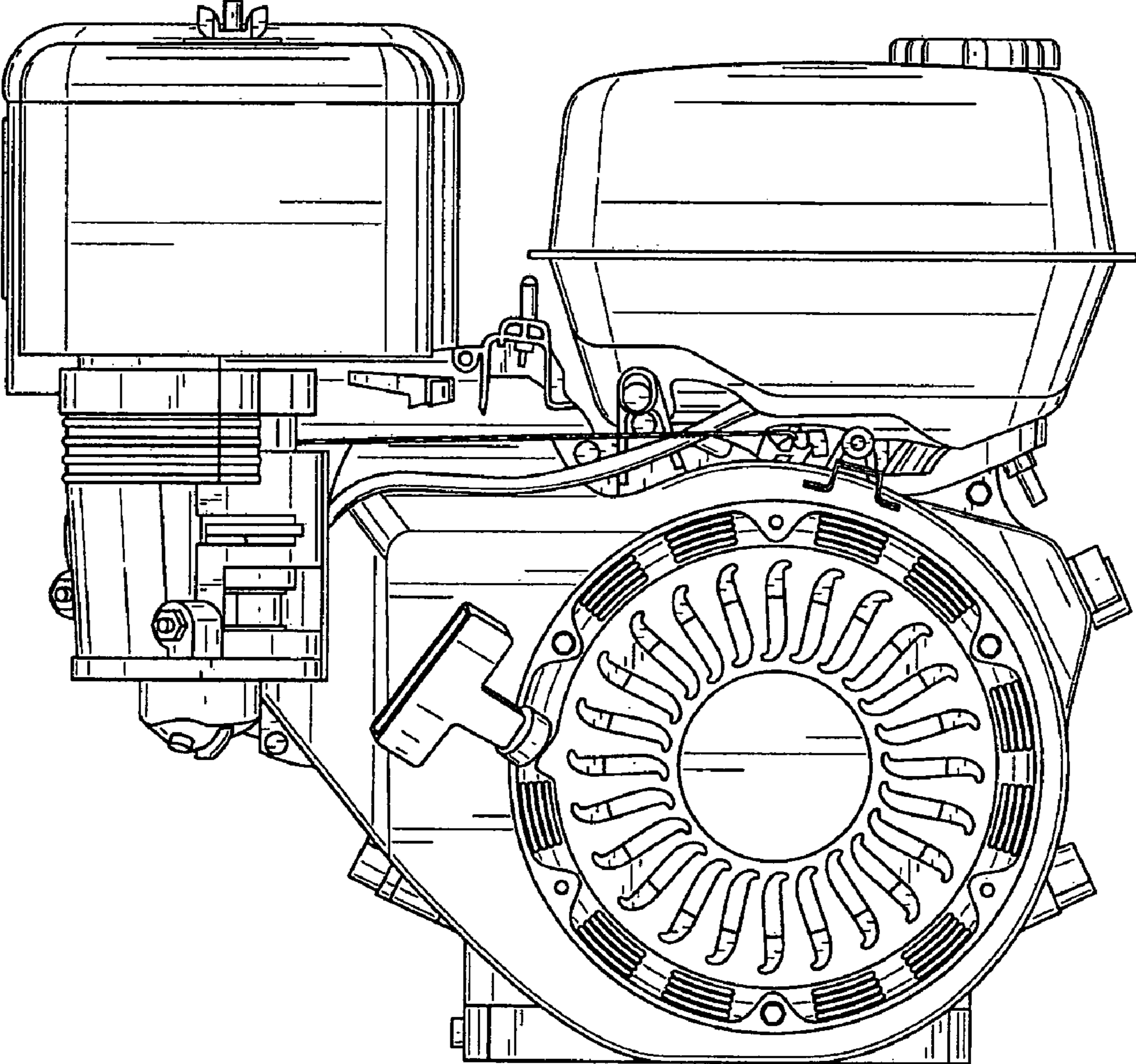


FIG. 5

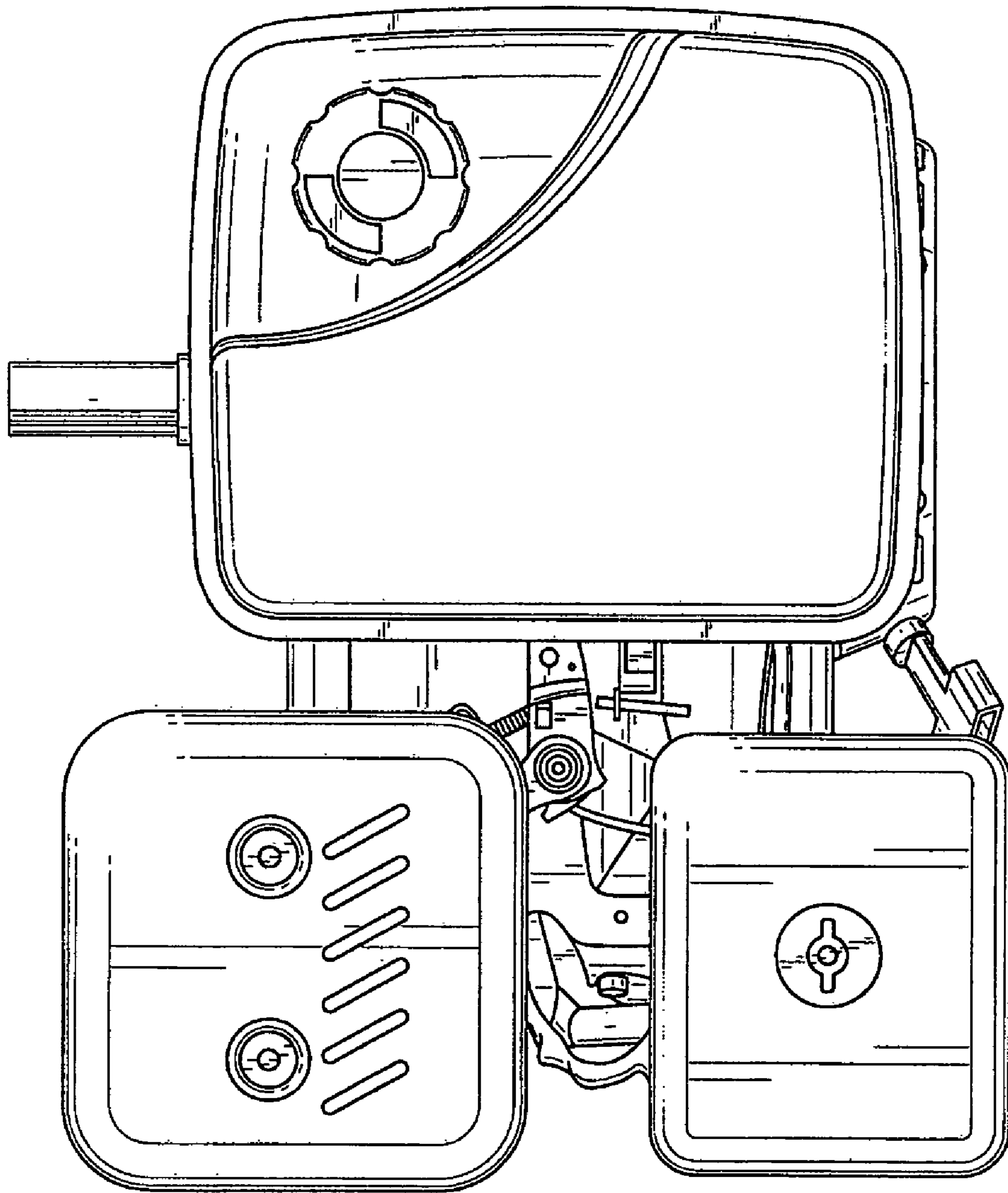


FIG. 6