



US00D975412S

(12) **United States Design Patent**
Devito

(10) **Patent No.:** **US D975,412 S**

(45) **Date of Patent:** **** Jan. 17, 2023**

(54) **SHOE**

(71) Applicant: **Converse Inc.**, Boston, MA (US)

(72) Inventor: **Tony Devito**, Cambridge, MA (US)

(73) Assignee: **Converse Inc.**, Boston, MA (US)

(**) Term: **15 Years**

(21) Appl. No.: **29/689,158**

(22) Filed: **Apr. 26, 2019**

(51) **LOC (14) Cl.** **02-04**

(52) **U.S. Cl.**
USPC **D2/947; D2/960**

(58) **Field of Classification Search**
USPC D2/896, 902, 905, 906, 907, 908, 910,
D2/911, 943, 944, 945, 947, 969, 972,
D2/946, 951, 953, 960, 968, 977
CPC A43B 1/00; A43B 1/12; A43B 1/14; A43B
3/00; A43B 5/00; A43B 5/001; A43B
5/003; A43B 5/006; A43B 5/007; A43B
5/008; A43B 5/02; A43B 5/06; A43B
5/08; A43B 5/10; A43B 5/14; A43B
13/00; A43B 13/04; A43B 23/00; A43B
23/021; A43B 23/0215; A43B 13/02;
A43B 13/023; A43B 13/026; A43B
13/08; A43B 13/10; A43B 13/12; A43B
13/14; A43B 13/141; A43B 13/143; A43B
13/16; A43B 13/18; A43B 13/181; A43B
13/187; A43B 13/189; A43B 13/20; A43B
13/22; A43B 13/223; A43B 1/08; A43B
1/10; A43B 5/002; A43B 13/24; A43B
13/28; A43B 13/30; A43B 13/32; A43B
13/34; A43B 13/36

See application file for complete search history.

D408,977 S *	5/1999	Greenberg	D2/960
D728,911 S *	5/2015	Spring	D2/951
D737,032 S *	8/2015	Bizzo	D2/951
D755,492 S *	5/2016	Bizzo	D2/951
D756,096 S *	5/2016	Bizzo	D2/951
D759,360 S *	6/2016	Zappiello	D2/951
D770,740 S *	11/2016	Teteriatnikov	D2/947
D795,545 S *	8/2017	Sabino	D2/951
D808,146 S *	1/2018	Smyth	D2/972
D811,075 S *	2/2018	Guzman	D2/972
9,907,360 B2 *	3/2018	Foster	A43C 5/00
D831,318 S *	10/2018	Louboutin	D2/951
D834,795 S *	12/2018	Vasyli	D2/947
D838,460 S *	1/2019	Jalbert	D2/972
D838,948 S *	1/2019	Sassi	D2/912
D838,949 S *	1/2019	Sassi	D2/944
D848,713 S *	5/2019	Blauer	D2/947
D861,309 S *	10/2019	Wang	D2/951

(Continued)

Primary Examiner — Elizabeth J Oswecki
(74) *Attorney, Agent, or Firm* — Banner & Witcoff, Ltd.

(57) **CLAIM**

The ornamental design for a shoe, as shown and described.

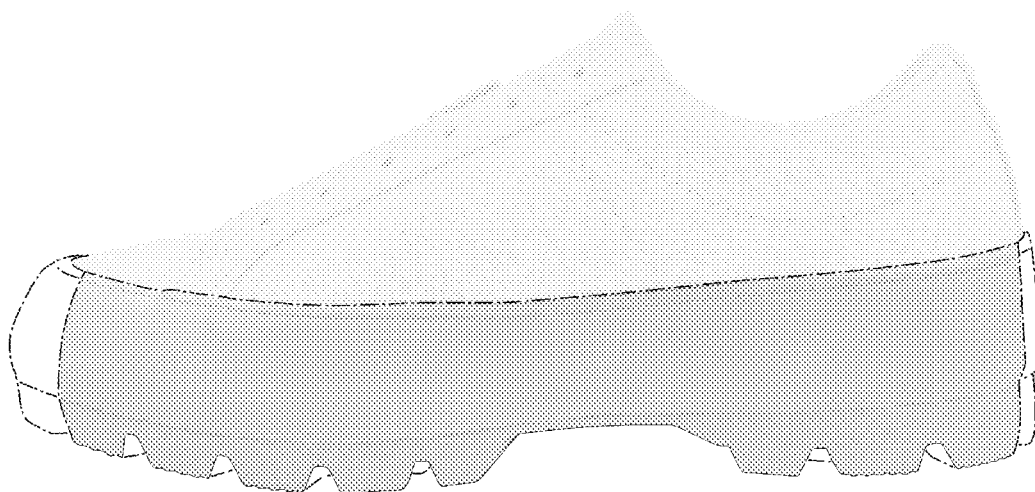
DESCRIPTION

FIG. 1 is a photographic side view of a shoe showing my new design;
FIG. 2 is a front view thereof;
FIG. 3 is a rear view thereof; and,
FIG. 4 is a photographic side view showing the shoe of FIG. 1 with environment removed for clarity purposes.
The broken lines immediately adjacent to the photographic area represent the bounds of the claimed design and form no part thereof. The lighter grey showing of the shoe upper is for the purpose of illustrating portions of the shoe which form no part of the claimed design. The broken line showing of the remainder of the sole forms no part of the claimed design.

1 Claim, 4 Drawing Sheets

(56) **References Cited**
U.S. PATENT DOCUMENTS

D401,045 S *	11/1998	Greenberg	D2/960
D408,119 S *	4/1999	Greenberg	D2/960



(56)

References Cited

U.S. PATENT DOCUMENTS

D862,056	S *	10/2019	Wang	D2/947
D870,437	S *	12/2019	Swartz	D2/951
D873,547	S *	1/2020	Rauner	D2/947
D874,106	S *	2/2020	Rauner	D2/947
D878,735	S *	3/2020	Engel	D2/973
D879,423	S *	3/2020	Engel	D2/947
D880,121	S *	4/2020	Jalbert	D2/951
D880,128	S	4/2020	Devito		
D880,129	S *	4/2020	Blauer	D2/951
D891,072	S *	7/2020	Makere	D2/971
D894,578	S *	9/2020	Makere	D2/971
D932,746	S *	10/2021	Kim	D2/902
D936,934	S *	11/2021	DeFarkas	D2/750
D937,553	S *	12/2021	Guzman	D2/972
D938,713	S *	12/2021	Perkins	D2/973
D943,925	S *	2/2022	Rauner	D2/972
D943,951	S *	2/2022	Engel	D2/972
D948,863	S *	4/2022	Gonzalez	D2/972
D949,542	S *	4/2022	Gonzalez	D2/972
D952,314	S *	5/2022	Guzman	D2/972
D952,994	S *	5/2022	Yang	D2/944
D952,999	S *	5/2022	Guzman	D2/947
D953,009	S *	5/2022	Heinrich	D2/972
D959,805	S *	8/2022	Dunham	D2/951
2008/0229617	A1 *	9/2008	Johnson	A43B 3/0057 36/102
2009/0255625	A1 *	10/2009	Fox	B32B 27/065 156/247
2017/0020228	A1 *	1/2017	Scofield	A43B 13/122

* cited by examiner

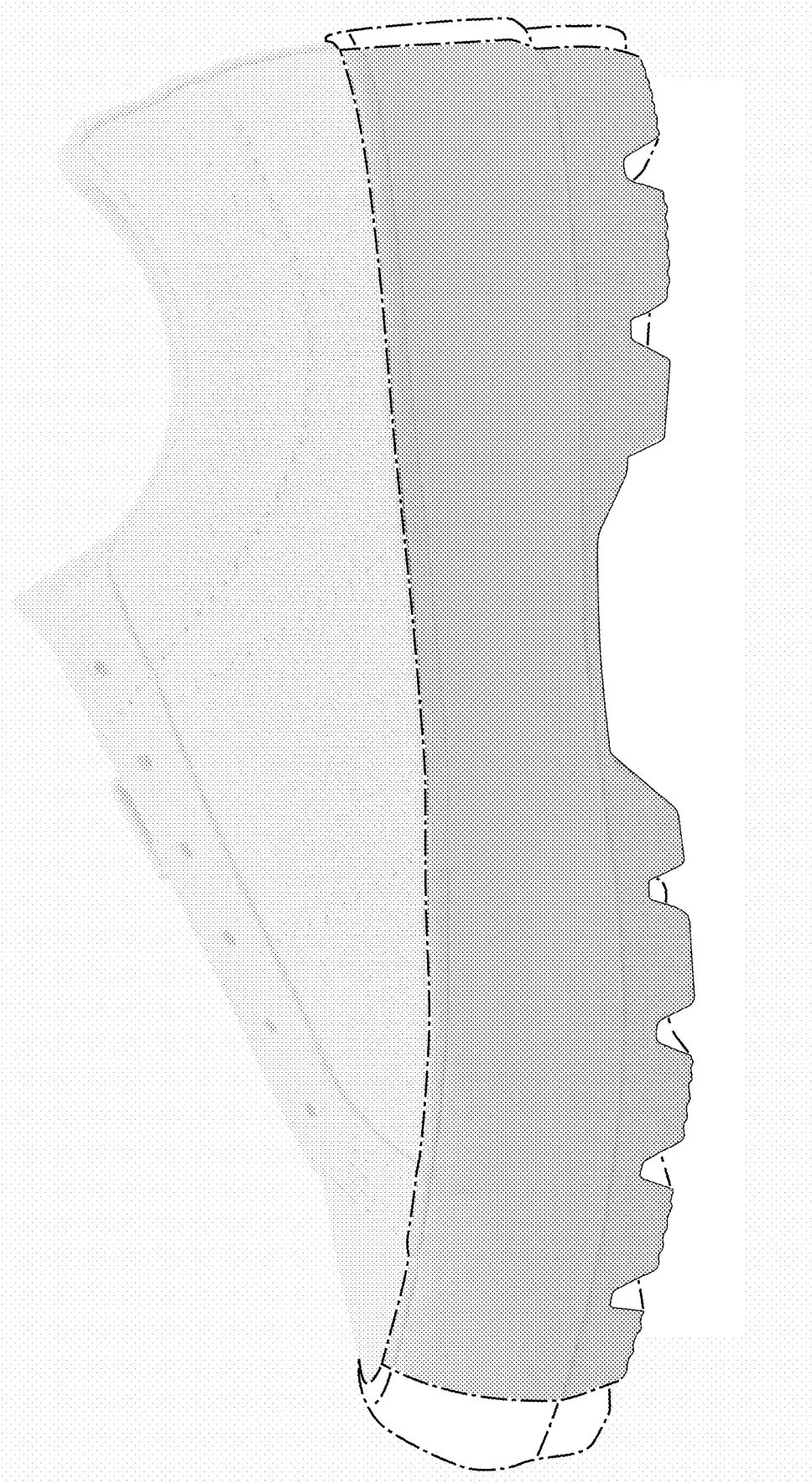


FIG. 1

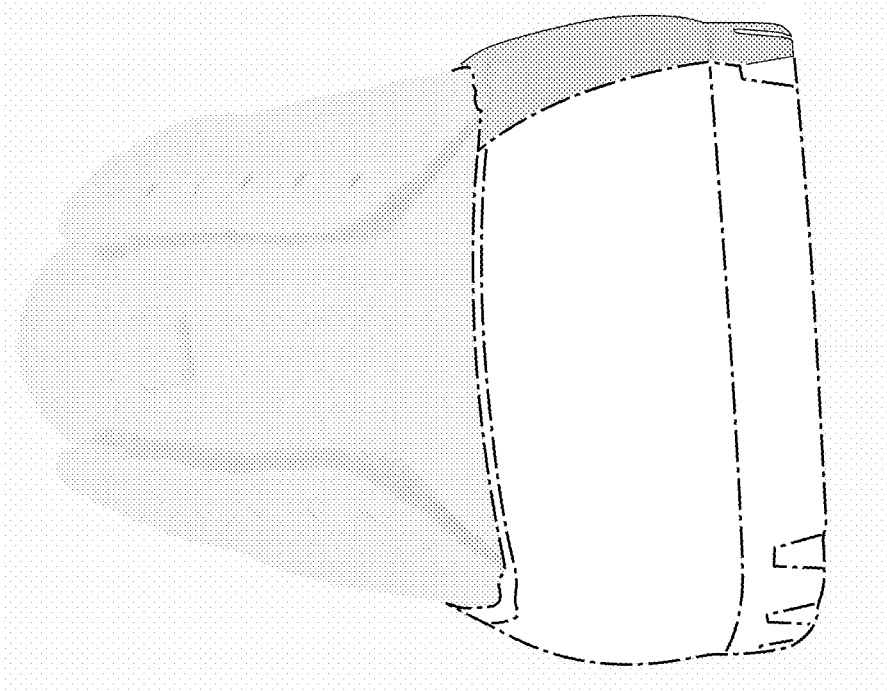


FIG. 2

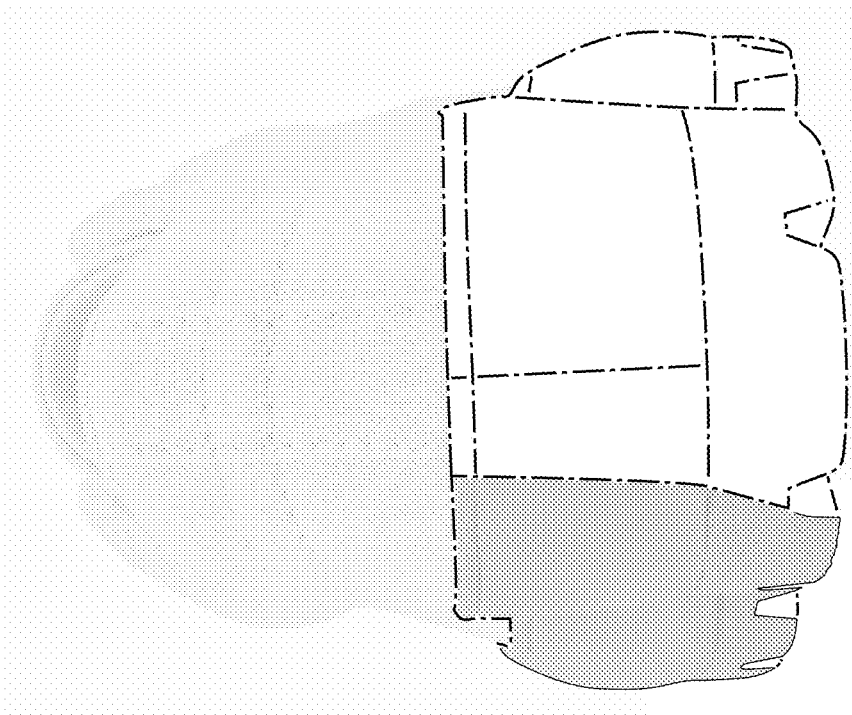


FIG. 3

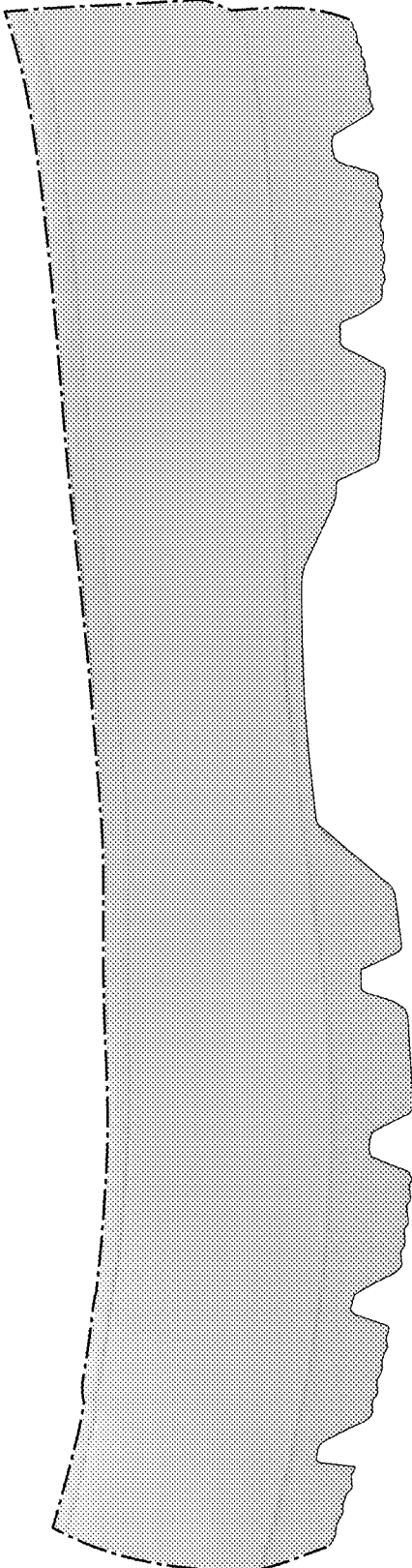


FIG. 4