



US0D1027149S

(12) **United States Design Patent**
Huang

(10) **Patent No.:** **US D1,027,149 S**

(45) **Date of Patent:** **** May 14, 2024**

(54) **DEHUMIDIFIER**

(71) Applicant: **Shenzhen Kaysno Technology Co., Ltd.**, Shenzhen (CN)

(72) Inventor: **Jianqiang Huang**, Shenzhen (CN)

(73) Assignee: **Shenzhen Kaysno Technology Co., Ltd**

(**) Term: **15 Years**

(21) Appl. No.: **29/790,842**

(22) Filed: **Dec. 16, 2021**

(30) **Foreign Application Priority Data**

Dec. 15, 2021 (CA) CA 208905

(51) **LOC (14) Cl.** **23-04**

(52) **U.S. Cl.** **D23/359**

(58) **Field of Classification Search**

USPC **D23/332-335, 351, 355, 356, 359, 360, D23/364, 366, 370, 381-383**

CPC ... **A61L 9/16; A61L 9/22; B03C 3/155; B03C 3/368; B01D 2221/02; B01D 2259/4508; B01D 47/00; B01D 47/027; F24F 3/16; F24F 13/20; F24F 13/28**

See application file for complete search history.

(56) **References Cited**

U.S. PATENT DOCUMENTS

| | | | | |
|--------------|--------|-------|-------|-----------|
| D357,311 S * | 4/1995 | Yehl | | D23/364 |
| D565,159 S * | 3/2008 | Shin | | D23/356 |
| D677,773 S * | 3/2013 | Choi | | D23/356 |
| D750,209 S * | 2/2016 | Satou | | D23/364 |
| D755,942 S * | 5/2016 | Kim | | D23/364 |
| D852,344 S * | 6/2019 | Hua | | A61L 9/16 |
| | | | | D23/364 |

| | | | | |
|------------------|--------|-------|-------|------------|
| D984,620 S * | 4/2023 | Luo | | D23/359 |
| 2016/0169542 A1* | 6/2016 | Yoon | | F24F 13/20 |
| | | | | 261/72.1 |
| 2020/0096216 A1* | 3/2020 | Uhlik | | F24F 8/10 |

OTHER PUBLICATIONS

Bubblue Dehumidifier, posted Mar. 13, 2022 [online], [retrieved Oct. 18, 2023]. Retrieved from internet, https://www.amazon.com/BUBBLUE-Dehumidifier-Basements-Integrated-Operation/dp/B09VF2LY7J?ref=ast_sto_dp (Year: 2022).*

* cited by examiner

Primary Examiner — Richard Edgar

Assistant Examiner — Carolyn W Davis

(74) *Attorney, Agent, or Firm* — Jose Cherson Weissbrot

(57) **CLAIM**

The ornamental design for a dehumidifier, as shown and described.

DESCRIPTION

FIG. 1 is a first perspective view of a dehumidifier showing my new design;

FIG. 2 is a second perspective view thereof;

FIG. 3 is a front view thereof;

FIG. 4 is a back view thereof

FIG. 5 is a left side view thereof;

FIG. 6 is a right side view thereof;

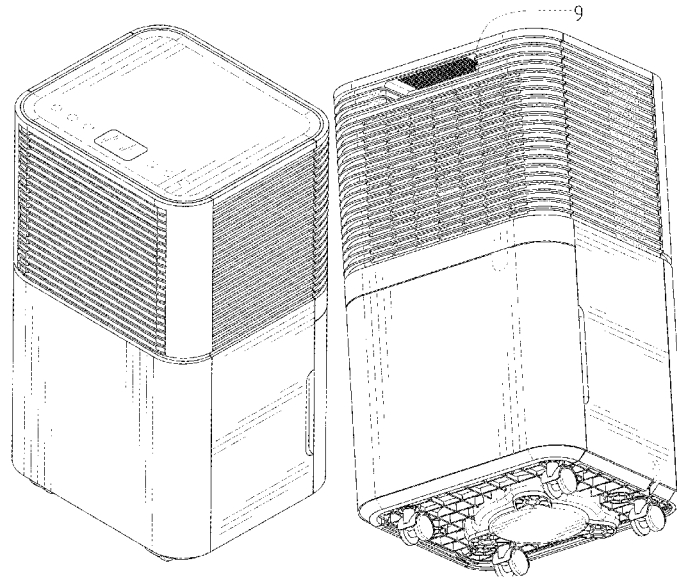
FIG. 7 is a top view thereof;

FIG. 8 is a bottom view thereof; and,

FIG. 9 is an enlarged view of the selected portion in FIG. 2.

The broken lines shown in the drawings depict portions of the dehumidifier in which the design is embodied that form no part of the claimed design. The dash-dot broken line in FIG. 2 indicates the boundary of the enlargement of FIG. 9 and forms no part of the claimed design.

1 Claim, 9 Drawing Sheets



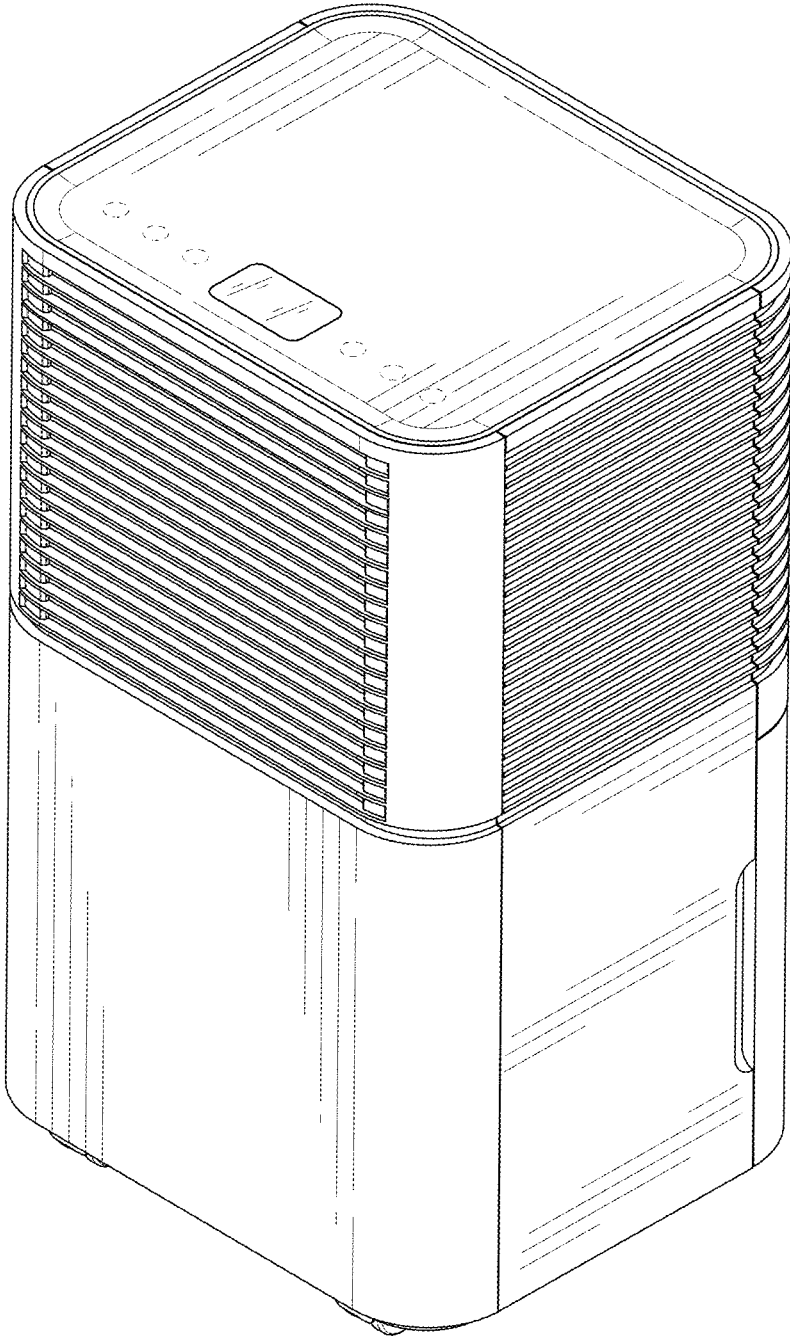


FIG. 1

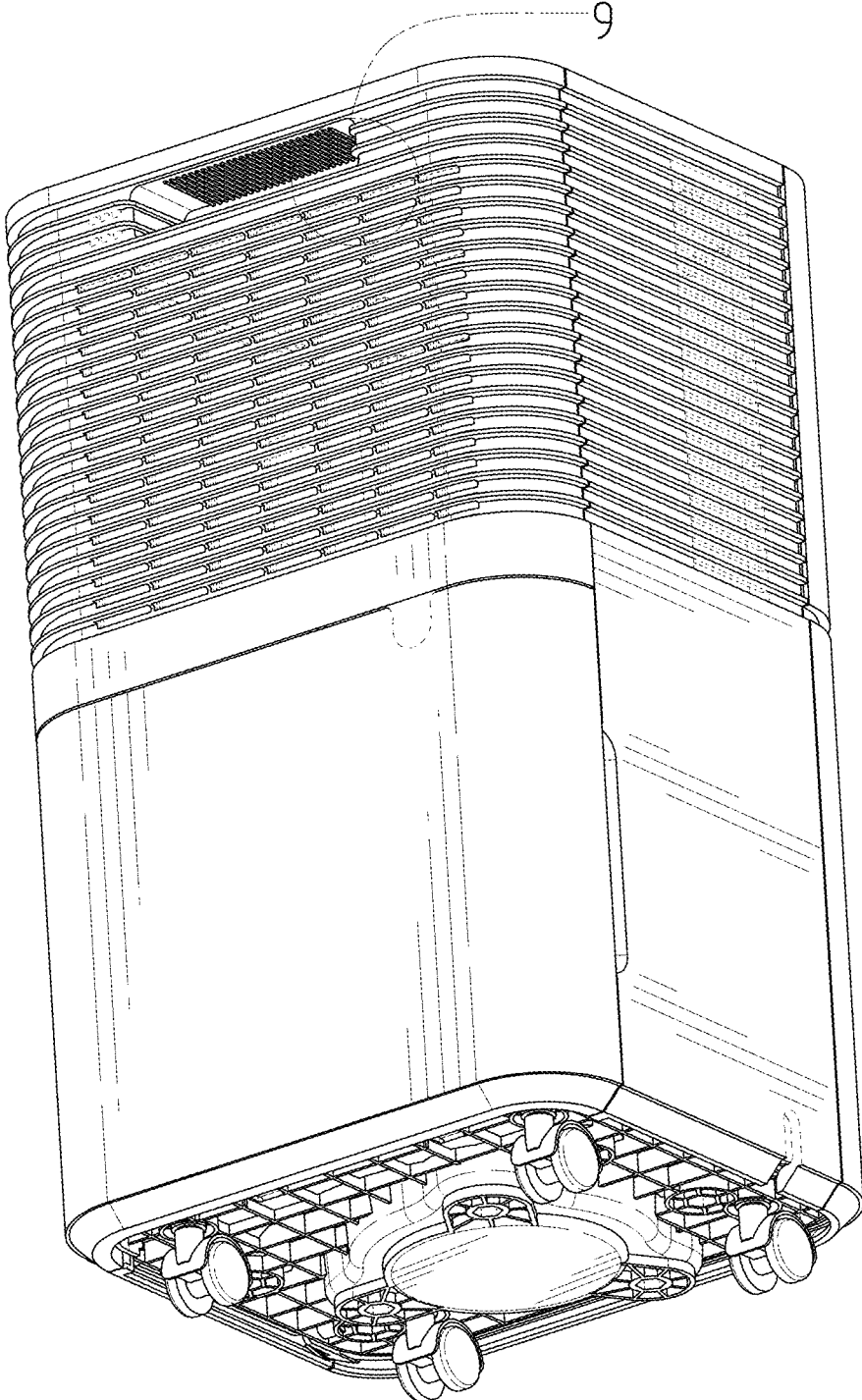


FIG. 2

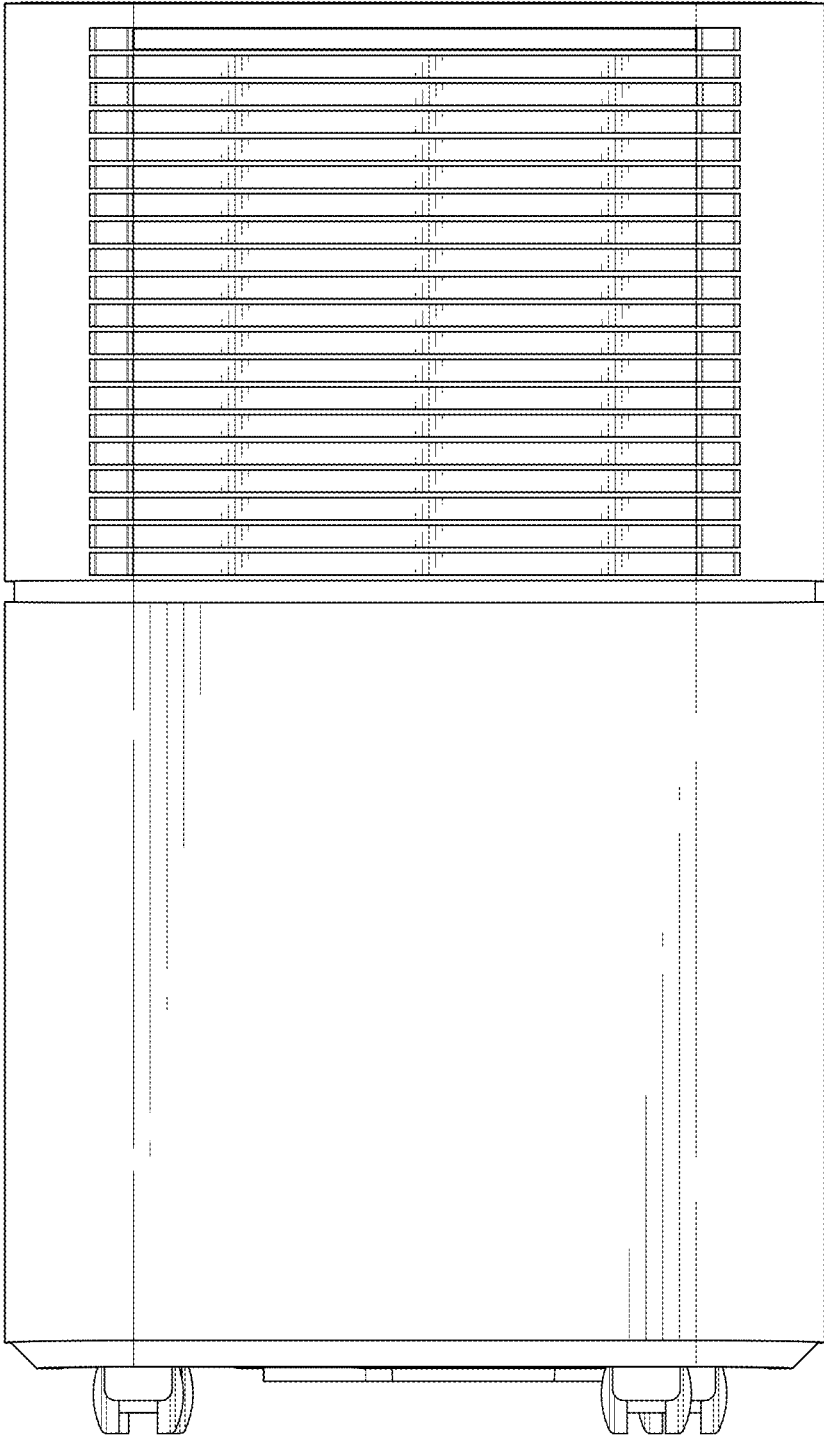


FIG. 3

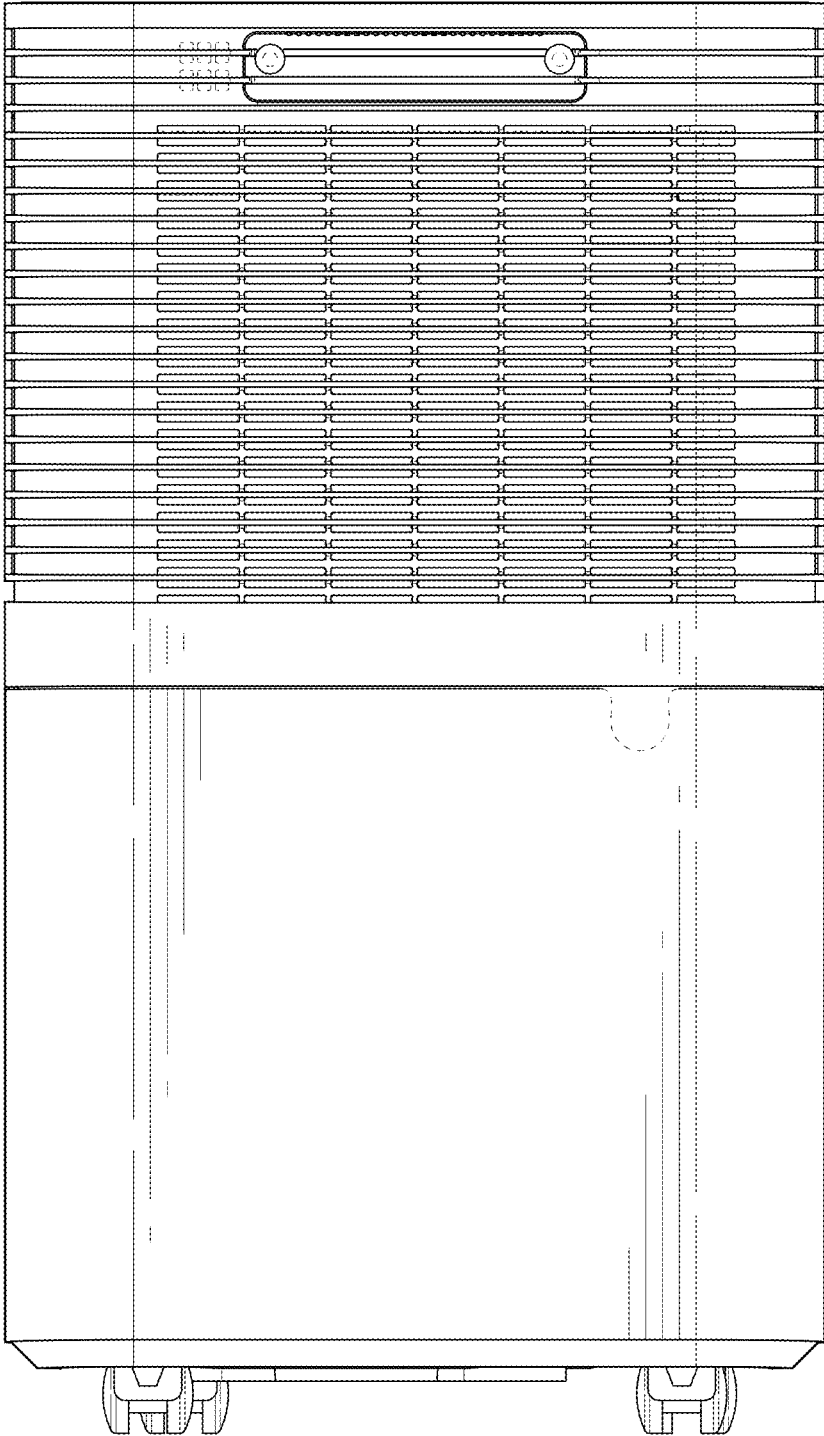


FIG. 4

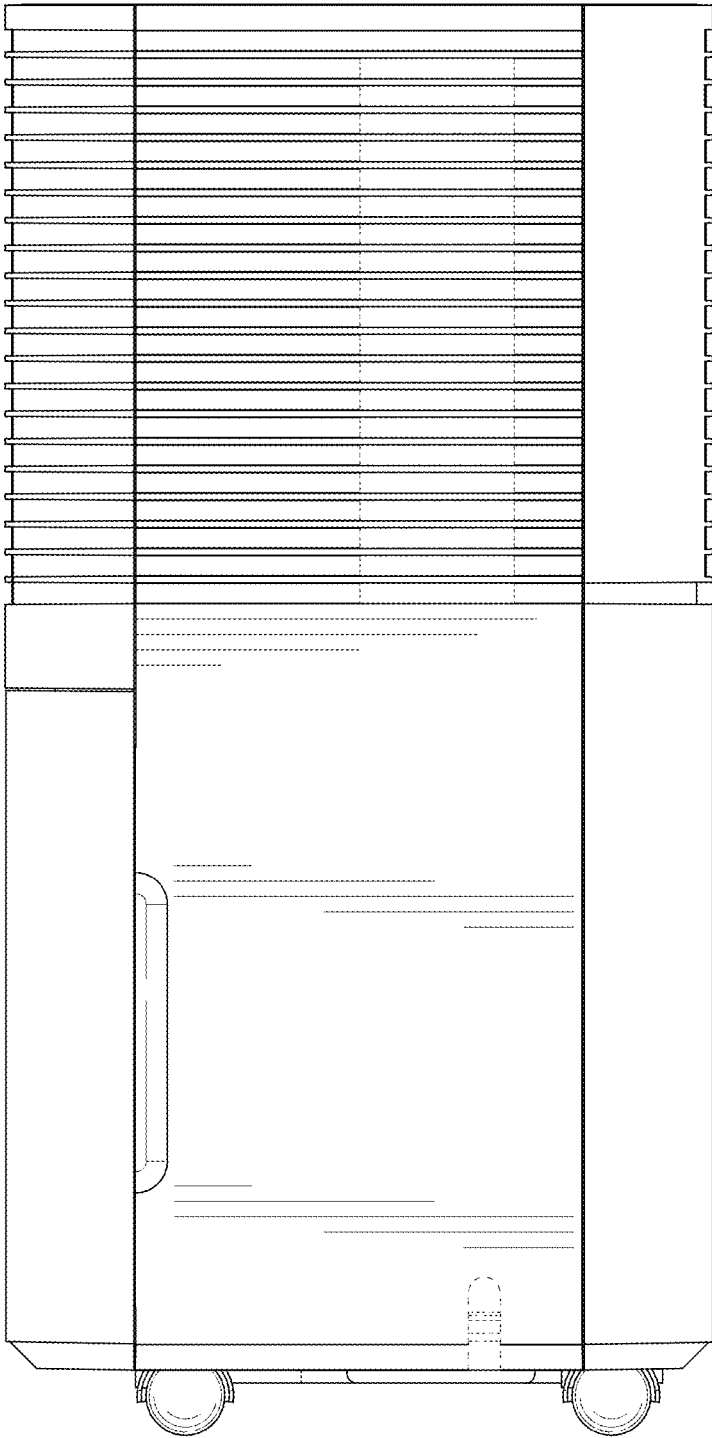


FIG. 5

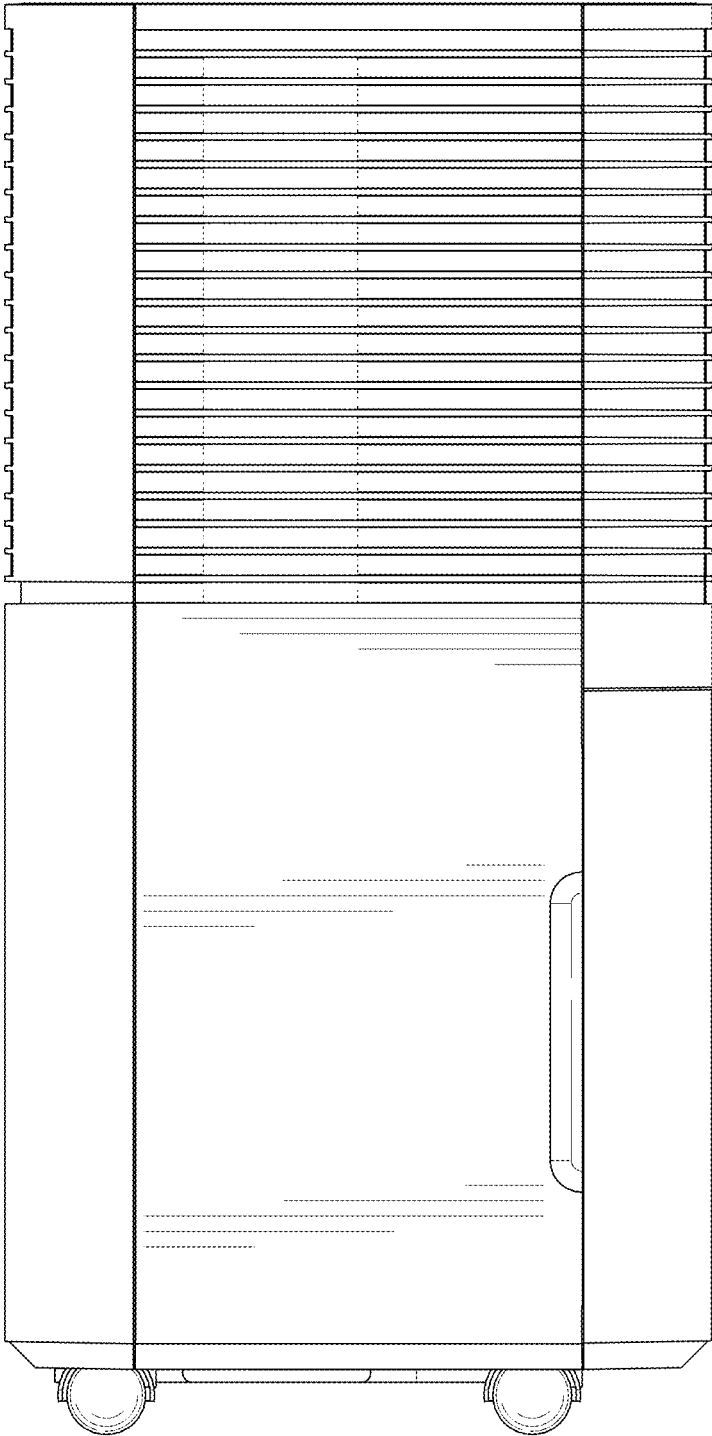


FIG. 6

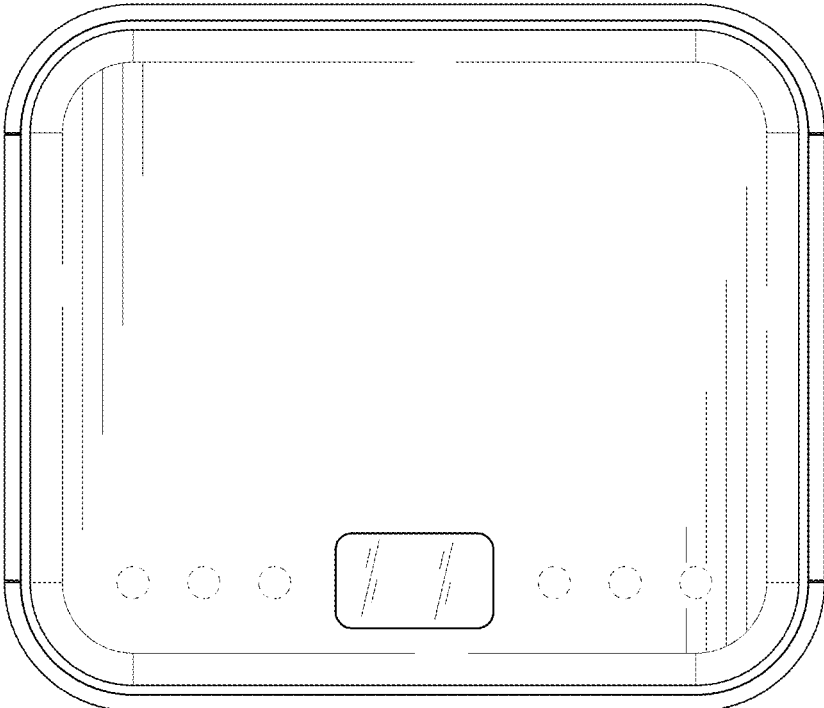


FIG. 7

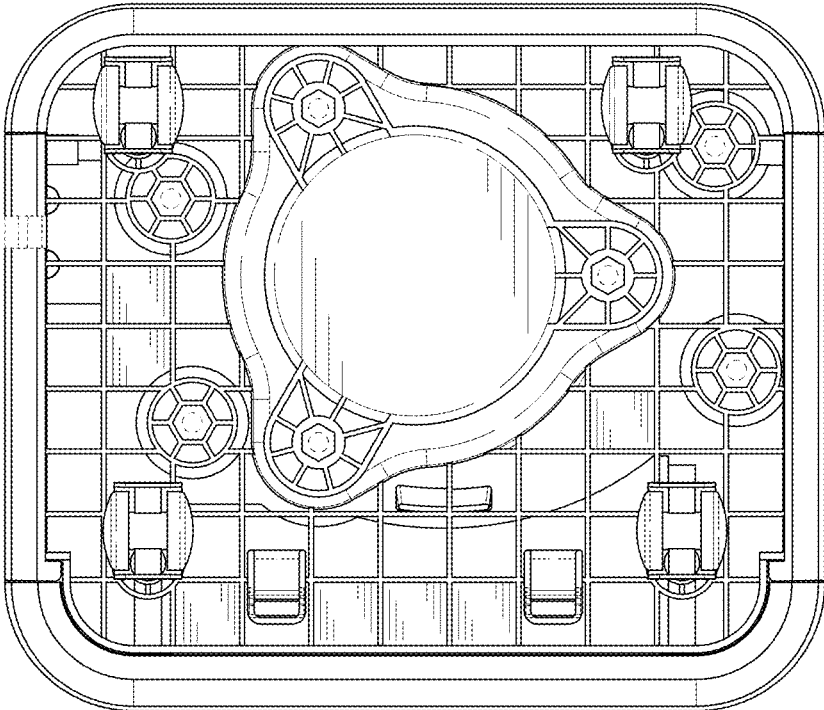


FIG. 8

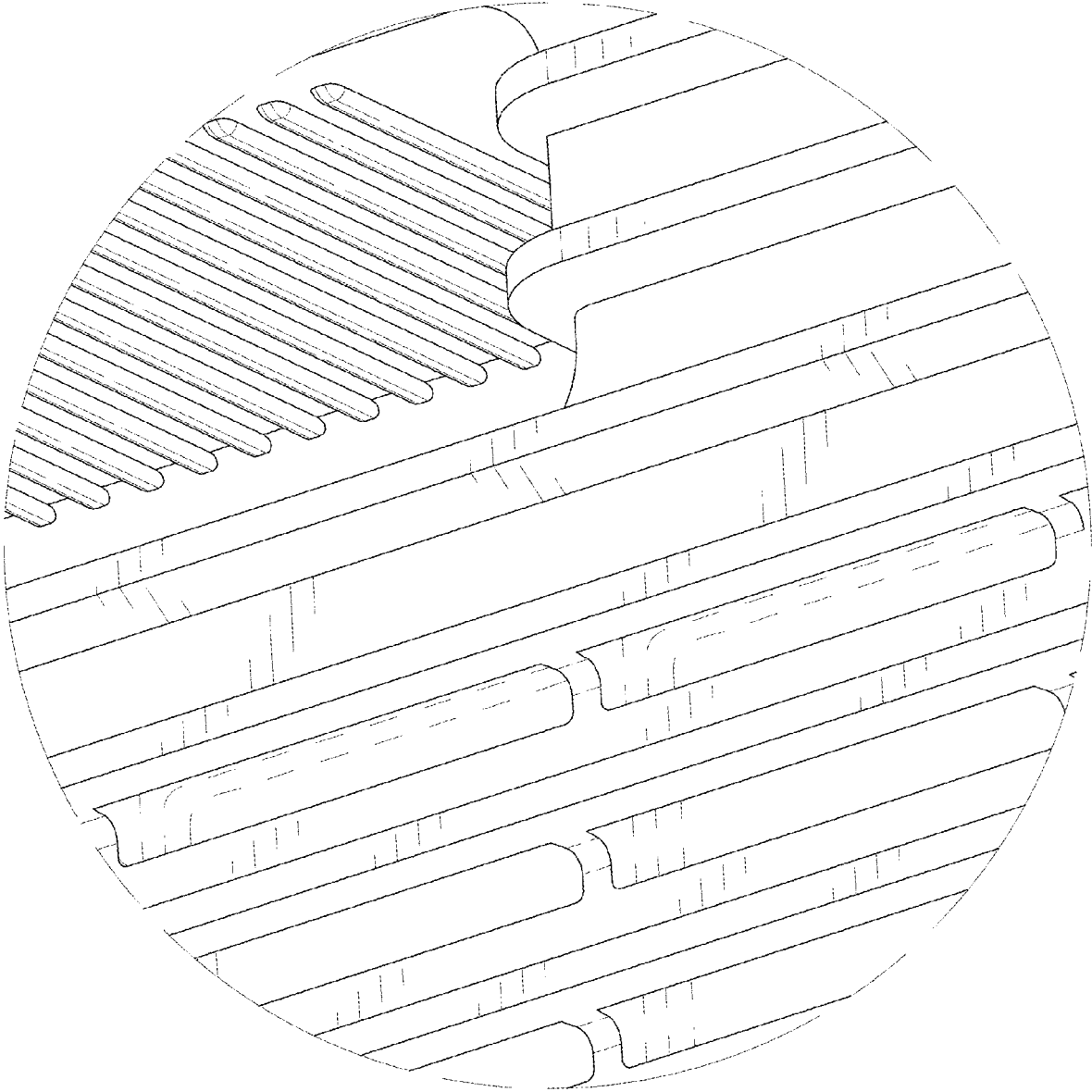


FIG. 9