



(51) International Patent Classification:
B01D 11/02 (2006.01)

(21) International Application Number:

PCT/IB2017/057144

(22) International Filing Date:

15 November 2017 (15.11.2017)

(25) Filing Language:

Italian

(26) Publication Language:

English

(30) Priority Data:

102016000114318 15 November 2016 (15.11.2016) IT

(71) Applicant: LANDLAB S.R.L. [IT/IT]; Via Quintarello 12/A, 36050 Quinto Vicentino (VI) (IT).

(72) Inventor: ALTISSIMO, Adriano; Via Quintarello 12/A, 36050 Quinto Vicentino (VI) (IT).

(74) Agent: MARINO, Ranieri; Contrà Paolo Liroy, 24, 36100 Vicenza (IT).

(81) Designated States (unless otherwise indicated, for every kind of national protection available): AE, AG, AL, AM, AO, AT, AU, AZ, BA, BB, BG, BH, BN, BR, BW, BY, BZ, CA, CH, CL, CN, CO, CR, CU, CZ, DE, DJ, DK, DM, DO, DZ, EC, EE, EG, ES, FI, GB, GD, GE, GH, GM, GT, HN, HR, HU, ID, IL, IN, IR, IS, JO, JP, KE, KG, KH, KN, KP,

KR, KW, KZ, LA, LC, LK, LR, LS, LU, LY, MA, MD, ME, MG, MK, MN, MW, MX, MY, MZ, NA, NG, NI, NO, NZ, OM, PA, PE, PG, PH, PL, PT, QA, RO, RS, RU, RW, SA, SC, SD, SE, SG, SK, SL, SM, ST, SV, SY, TH, TJ, TM, TN, TR, TT, TZ, UA, UG, US, UZ, VC, VN, ZA, ZM, ZW.

(84) Designated States (unless otherwise indicated, for every kind of regional protection available): ARIPO (BW, GH, GM, KE, LR, LS, MW, MZ, NA, RW, SD, SL, ST, SZ, TZ, UG, ZM, ZW), Eurasian (AM, AZ, BY, KG, KZ, RU, TJ, TM), European (AL, AT, BE, BG, CH, CY, CZ, DE, DK, EE, ES, FI, FR, GB, GR, HR, HU, IE, IS, IT, LT, LU, LV, MC, MK, MT, NL, NO, PL, PT, RO, RS, SE, SI, SK, SM, TR), OAPI (BF, BJ, CF, CG, CI, CM, GA, GN, GQ, GW, KM, ML, MR, NE, SN, TD, TG).

Published:

- with international search report (Art. 21(3))
- before the expiration of the time limit for amending the claims and to be republished in the event of receipt of amendments (Rule 48.2(h))

(88) Date of publication of the international search report:

12 July 2018 (12.07.2018)

(54) Title: SOLVENT AND METHOD FOR EXTRACTING ACTIVE COMPOUNDS FROM PLANTS AND USE OF THE SOLVENT

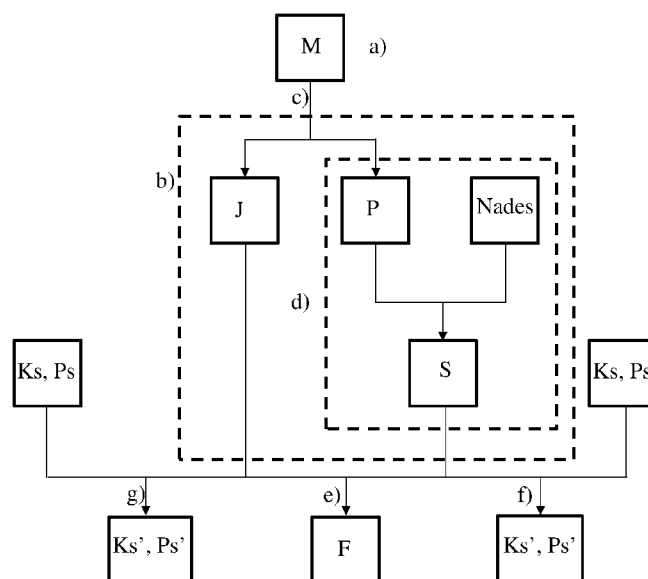


FIG. 1

(57) Abstract: An eutectic solvent for the extraction of active compounds from plants consists of a first organic compound of natural origin based on organic and selected from organic acids, vitamins, urea, salts or a mixture thereof.

WO 2018/092042 A3

INTERNATIONAL SEARCH REPORT

International application No
PCT/IB2017/057144

A. CLASSIFICATION OF SUBJECT MATTER INV. B01D11/02 ADD.		
According to International Patent Classification (IPC) or to both national classification and IPC		
B. FIELDS SEARCHED		
Minimum documentation searched (classification system followed by classification symbols) B01D		
Documentation searched other than minimum documentation to the extent that such documents are included in the fields searched		
Electronic data base consulted during the international search (name of data base and, where practicable, search terms used) EPO-Internal, WPI Data		
C. DOCUMENTS CONSIDERED TO BE RELEVANT		
Category*	Citation of document, with indication, where appropriate, of the relevant passages	Relevant to claim No.
X	BING-YI ZHAO ET AL: "Biocompatible Deep Eutectic Solvents Based on Choline Chloride: Characterization and Application to the Extraction of Rutin from Sophora japonica", ACS SUSTAINABLE CHEMISTRY & ENGINEERING, vol. 3, no. 11, 2 November 2015 (2015-11-02), pages 2746-2755, XP055387589, US ISSN: 2168-0485, DOI: 10.1021/acssuschemeng.5b00619 table 1 ----- -/--	1-14
<input checked="" type="checkbox"/>	Further documents are listed in the continuation of Box C.	<input checked="" type="checkbox"/> See patent family annex.
* Special categories of cited documents :		
<p>"A" document defining the general state of the art which is not considered to be of particular relevance</p> <p>"E" earlier application or patent but published on or after the international filing date</p> <p>"L" document which may throw doubts on priority claim(s) or which is cited to establish the publication date of another citation or other special reason (as specified)</p> <p>"O" document referring to an oral disclosure, use, exhibition or other means</p> <p>"P" document published prior to the international filing date but later than the priority date claimed</p>		<p>"T" later document published after the international filing date or priority date and not in conflict with the application but cited to understand the principle or theory underlying the invention</p> <p>"X" document of particular relevance; the claimed invention cannot be considered novel or cannot be considered to involve an inventive step when the document is taken alone</p> <p>"Y" document of particular relevance; the claimed invention cannot be considered to involve an inventive step when the document is combined with one or more other such documents, such combination being obvious to a person skilled in the art</p> <p>"&" document member of the same patent family</p>
Date of the actual completion of the international search 14 May 2018		Date of mailing of the international search report 22/05/2018
Name and mailing address of the ISA/ European Patent Office, P.B. 5818 Patentlaan 2 NL - 2280 HV Rijswijk Tel. (+31-70) 340-2040, Fax: (+31-70) 340-3016		Authorized officer Arrojo, Sergio

INTERNATIONAL SEARCH REPORT

International application No
PCT/IB2017/057144

C(Continuation). DOCUMENTS CONSIDERED TO BE RELEVANT		
Category*	Citation of document, with indication, where appropriate, of the relevant passages	Relevant to claim No.
X	WO 2011/155829 A1 (UNIV LEIDEN [NL]; VAN SPRONSEN JACOB [NL]; WITKAMP GEERT-JAN [NL]; HOL) 15 December 2011 (2011-12-15) cited in the application page 3, line 20 - page 4, line 6 -----	1-8
X	GB 2 498 955 A (C TECH INNOVATION LTD [GB]) 7 August 2013 (2013-08-07) claim 4 -----	6-8,15
X	VIORICA MELTZER ET AL: "Thermodynamic study of binary mixture of citric acid and tartaric acid", CENTRAL EUROPEAN JOURNAL OF CHEMISTRY, CENTRAL EUROPEAN SCIENCE JOURNALS, PL; US; NL; DE, vol. 10, no. 5, 21 July 2012 (2012-07-21), pages 1584-1589, XP035088441, ISSN: 1644-3624, DOI: 10.2478/S11532-012-0076-4 figure 2 -----	6-8,15
X	MARTA FAGGIAN ET AL: "Natural Deep Eutectic Solvents (NADES) as a Tool for Bioavailability Improvement: Pharmacokinetics of Rutin Dissolved in Proline/Glycine after Oral Administration in Rats: Possible Application in Nutraceuticals", MOLECULES, vol. 21, no. 11, 14 November 2016 (2016-11-14), page 1531, XP055364464, DOI: 10.3390/molecules21111531 table 1 -----	1-15
X	YUNTAO DAI ET AL: "Natural Deep Eutectic Solvents as a New Extraction Media for Phenolic Metabolites in Carthamus tinctorius L.", ANALYTICAL CHEMISTRY, vol. 85, no. 13, 2 July 2013 (2013-07-02), pages 6272-6278, XP055236258, ISSN: 0003-2700, DOI: 10.1021/ac400432p figure 3 -----	1-14

INTERNATIONAL SEARCH REPORT

Information on patent family members

International application No

PCT/IB2017/057144

Patent document cited in search report	Publication date	Patent family member(s)	Publication date
WO 2011155829	A1	15-12-2011	
		AU 2011262613	A1 10-01-2013
		BR 112012031167	A2 01-11-2016
		CA 2801713	A1 15-12-2011
		EP 2575993	A1 10-04-2013
		ES 2611654	T3 09-05-2017
		JP 6239976	B2 29-11-2017
		JP 2013534466	A 05-09-2013
		NL 2004835	C 08-12-2011
		US 2013149322	A1 13-06-2013
		US 2014341934	A1 20-11-2014
		WO 2011155829	A1 15-12-2011
GB 2498955	A	07-08-2013	
		GB 2498955	A 07-08-2013
		WO 2013114089	A1 08-08-2013