



(12) **United States Design Patent** (10) **Patent No.:** **US D985,448 S**
Brana et al. (45) **Date of Patent:** **** May 9, 2023**

(54) **FENDER PANEL FOR AUTOMOBILE**

- (71) Applicants: **Hyundai Motor Company**, Seoul (KR); **Kia Corporation**, Seoul (KR)
- (72) Inventors: **Claudine Brana**, Superior Township, MI (US); **Senon B. Franco, III**, Superior Township, MI (US)
- (73) Assignees: **Hyundai Motor Company**, Seoul (KR); **Kia Corporation**, Seoul (KR)
- (**) Term: **15 Years**
- (21) Appl. No.: **29/779,425**
- (22) Filed: **Apr. 19, 2021**
- (51) **LOC (14) Cl.** **12-16**
- (52) **U.S. Cl.**
USPC **D12/184**; D15/28
- (58) **Field of Classification Search**
USPC D12/184, 98, 114, 162, 181, 190, 196;
D21/552, 561, 533, 548; D15/28
CPC B62D 25/16; B62D 25/18
See application file for complete search history.

(56) **References Cited**

U.S. PATENT DOCUMENTS

| | | | | | | |
|----------|---|---|---------|------------|-------|---------|
| D659,616 | S | * | 5/2012 | Matsumoto | | D12/184 |
| D669,829 | S | * | 10/2012 | Iwao | | D12/184 |
| D841,542 | S | * | 2/2019 | Koo | | D12/184 |
| D856,879 | S | * | 8/2019 | Woodhouse | | D12/184 |
| D873,742 | S | * | 1/2020 | Toriyama | | D12/184 |
| D904,950 | S | * | 12/2020 | Al Attar | | D12/184 |
| D925,420 | S | * | 7/2021 | Hunwick | | D12/184 |
| D925,422 | S | * | 7/2021 | Theis | | D12/184 |
| D928,675 | S | * | 8/2021 | Piaskowski | | D12/184 |
| D929,282 | S | * | 8/2021 | Wraith | | D12/184 |
| D930,533 | S | * | 9/2021 | Ruiz | | D12/184 |
| D957,296 | S | * | 7/2022 | Woodhouse | | D12/184 |

OTHER PUBLICATIONS

“2018-2019 Honda Accord Front Passenger Side Fender; Sedan; Made Of Steel Partslink HO1241196” amazon.com, post Published Jun. 21, 2019. Retrieved Dec. 12, 2022. Available online at URL:https://www.amazon.com/2018-2019-Accord-Passenger-Partslink-HO1241196/dp/B07T9MYTT2/ref=asc_df_B07T9MYTT2/?tag=hy (Year: 2019).*
 “Replacement Front Side Fender” carparts.com, post Published: Unavailable. Retrieved Dec. 12, 2022. Available online at URL:https://www.carparts.com/fender/replacement/REPS220160?TID=ggplpa&origin=&utm_source=google&utm_medium=pla&utm_campaign(Year: 2022).*

* cited by examiner

Primary Examiner — Christian P. McLean
Assistant Examiner — Jessica Lynn Devilbiss
 (74) *Attorney, Agent, or Firm* — Fox Rothschild LLP

(57) **CLAIM**

The ornamental design for a fender panel for automobile, as shown and described.

DESCRIPTION

FIG. 1 is a perspective view of a fender panel for automobile according to the present invention.
 FIG. 2 is a front view of the fender panel for automobile of FIG. 1.
 FIG. 3 is a rear view of the fender panel for automobile of FIG. 1.
 FIG. 4 is a left side view of the fender panel for automobile of FIG. 1.
 FIG. 5 is a right side view of the fender panel for automobile of FIG. 1.
 FIG. 6 is a top view of the fender panel for automobile of FIG. 1; and,
 FIG. 7 is a bottom view of the fender panel for automobile of FIG. 1.

1 Claim, 7 Drawing Sheets

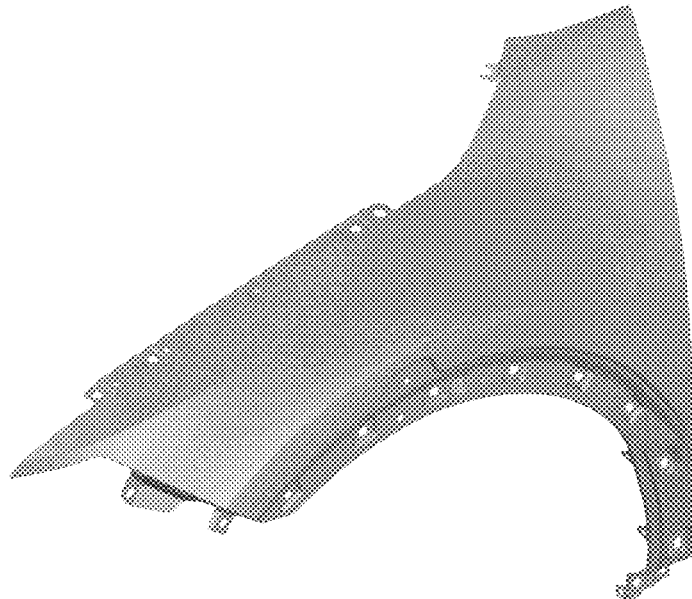


FIG. 1

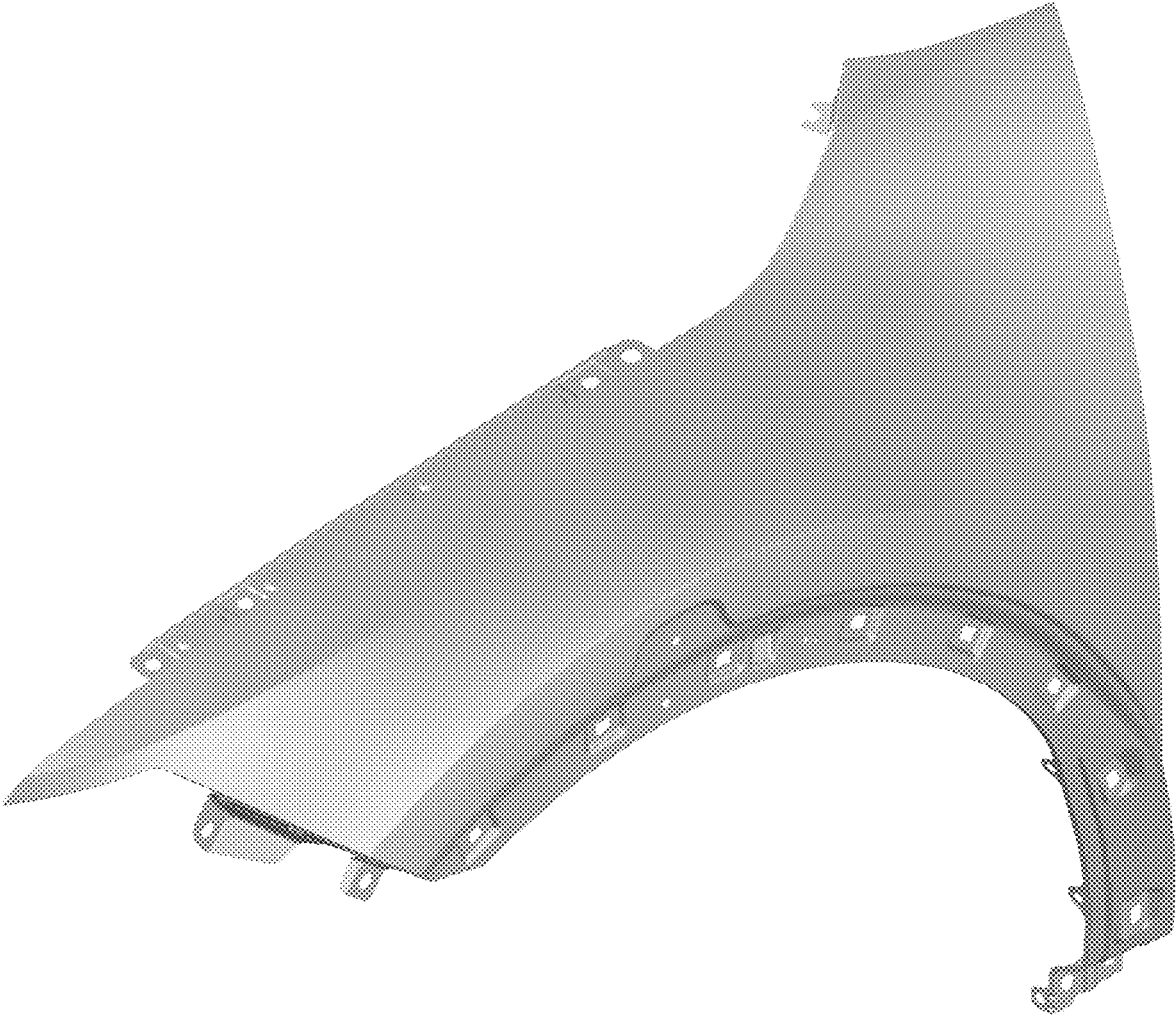


FIG. 2

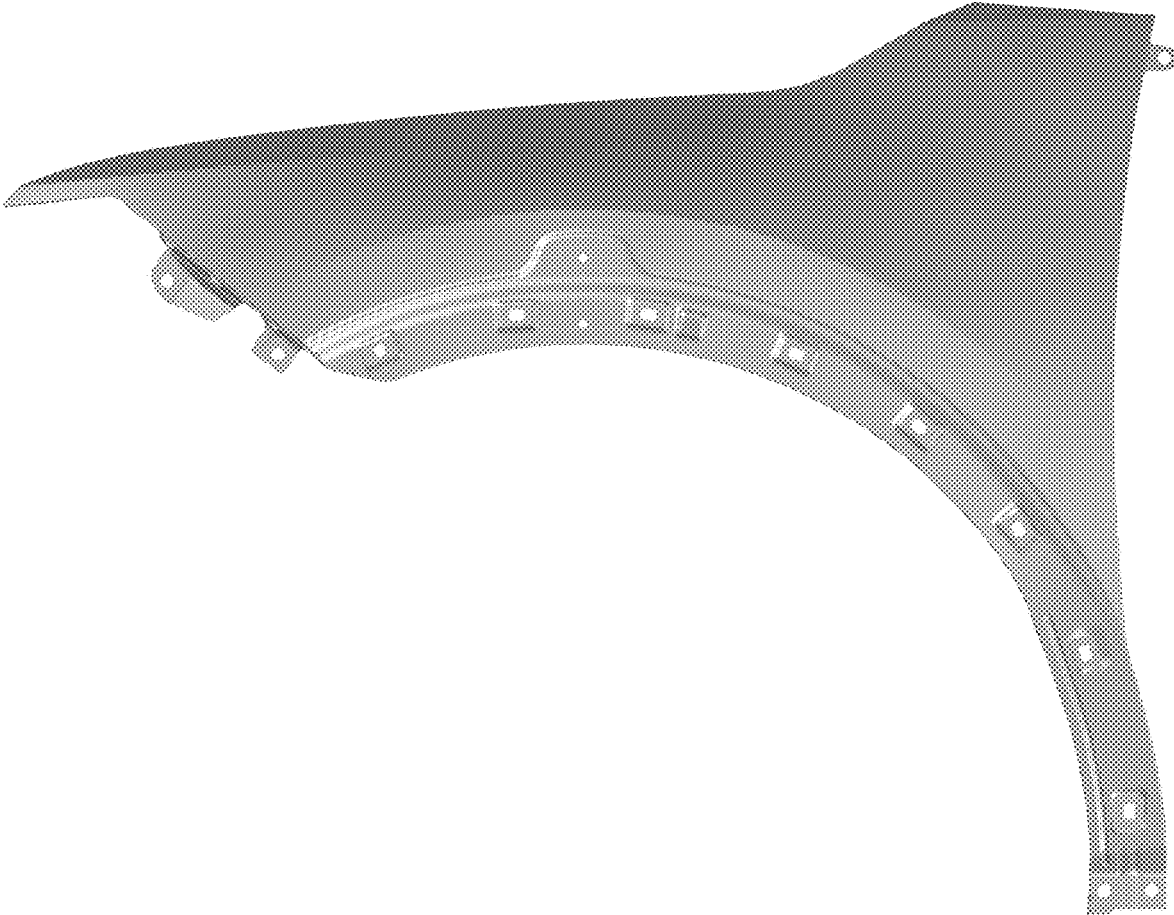


FIG. 3

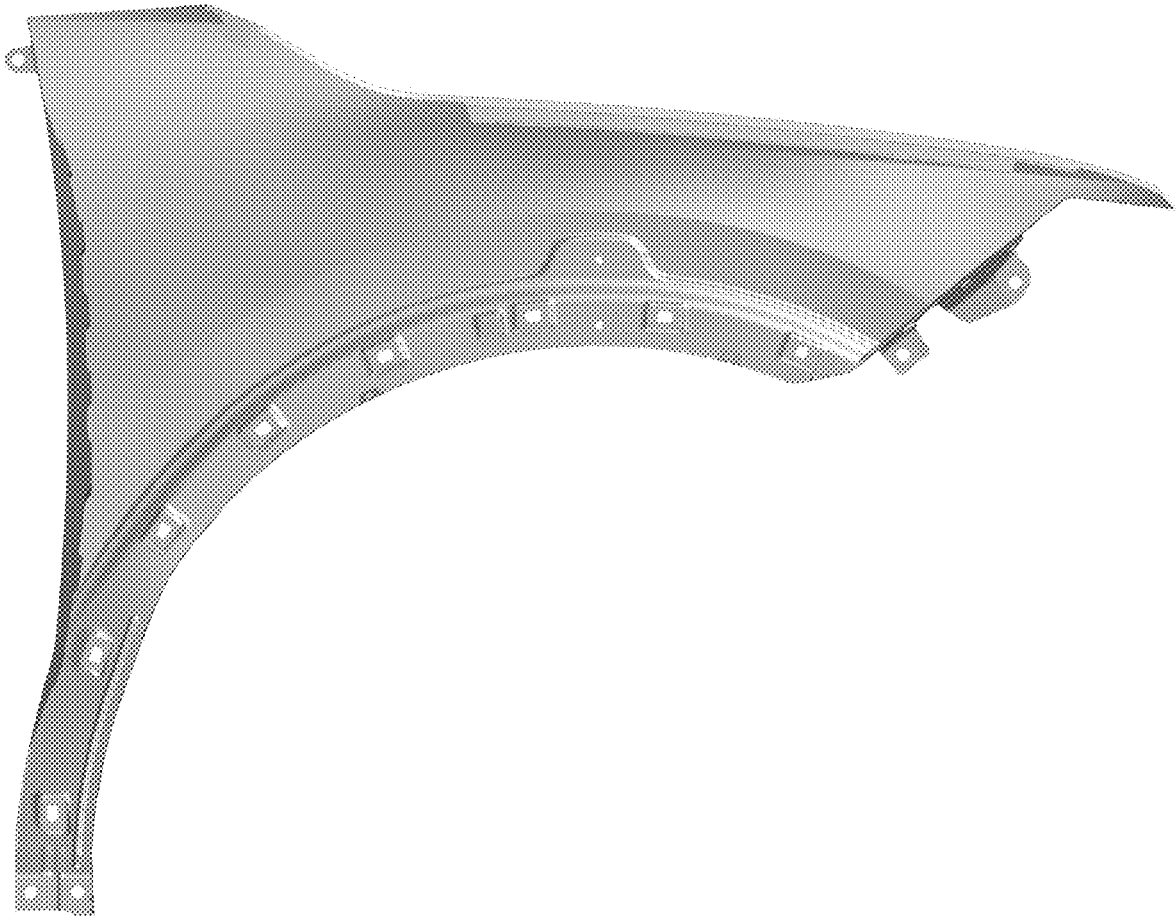


FIG. 4

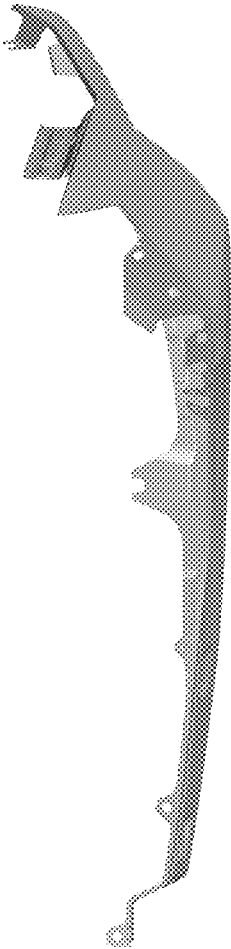


FIG. 5

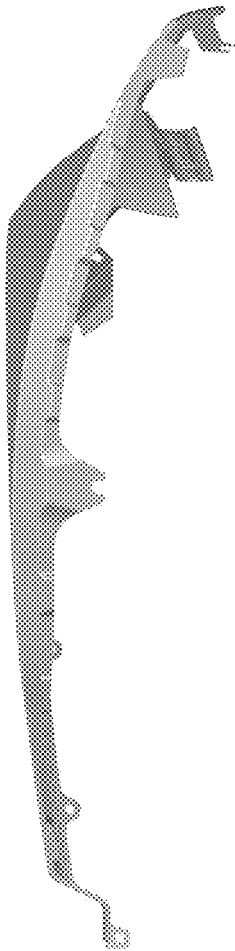


FIG. 6

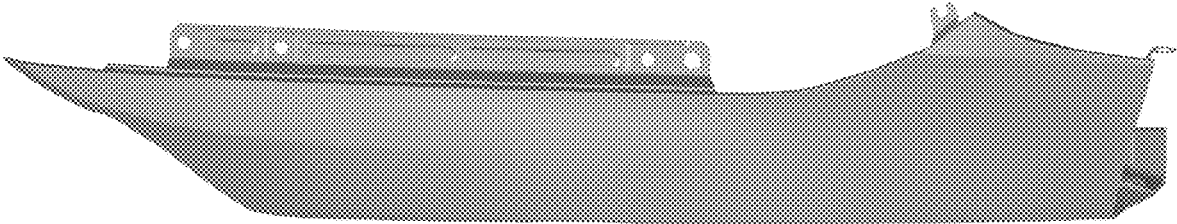


FIG. 7

