



US00D842525S

(12) **United States Design Patent**  
**Yifan et al.**

(10) **Patent No.:** **US D842,525 S**

(45) **Date of Patent:** **\*\* Mar. 5, 2019**

- (54) **LIGHT FIXTURE**
- (71) Applicant: **ABL IP Holding LLC**, Decatur, GA (US)
- (72) Inventors: **Zhou Yifan**, Shanghai (CN); **Philip Sieczkowski**, Lawrenceville, GA (US)
- (73) Assignee: **ABL IP Holding LLC**, Atlanta, GA (US)
- (\*\*) Term: **15 Years**
- (21) Appl. No.: **29/594,907**
- (22) Filed: **Feb. 23, 2017**
- (51) **LOC (11) Cl.** ..... **26-04**
- (52) **U.S. Cl.**  
USPC ..... **D26/76**
- (58) **Field of Classification Search**  
USPC ... D26/3, 37, 67, 71, 72, 75, 78, 79, 80, 81, D26/82, 83, 85, 86, 88, 90, 113, 118  
CPC ..... F21S 8/06; F21S 8/031; F21S 4/00; F21Y 2101/00  
See application file for complete search history.

- 2011/0310604 A1\* 12/2011 Shimizu ..... F21V 3/0445  
362/235
- 2013/0155670 A1\* 6/2013 Handsaker ..... F21V 13/02  
362/223
- 2013/0279182 A1\* 10/2013 Ivo ..... F21K 9/00  
362/382

\* cited by examiner

*Primary Examiner* — John Windmuller  
*Assistant Examiner* — Benjamin M Weeks  
(74) *Attorney, Agent, or Firm* — Kilpatrick Townsend & Stockton LLP

(57) **CLAIM**

The ornamental design for a light fixture, as shown and described.

**DESCRIPTION**

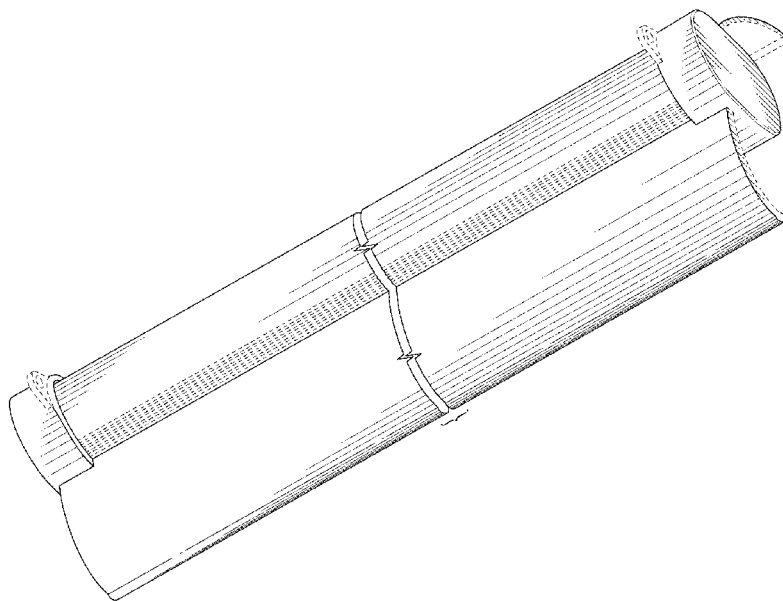
FIG. 1 is a top perspective view of the light fixture.  
 FIG. 2 is a bottom perspective view of the light fixture of FIG. 1.  
 FIG. 3 is a top plan view of the light fixture of FIG. 1.  
 FIG. 4 is a bottom plan view of the light fixture of FIG. 1.  
 FIG. 5 is right side elevation view of the light fixture of FIG. 1.  
 FIG. 6 is a left side elevation view of the light fixture of FIG. 1.  
 FIG. 7 is a front end elevation view of the light fixture of FIG. 1; and,  
 FIG. 8 is a back end elevation view of the light fixture of FIG. 1.  
 The broken lines in the drawings, including the evenly dotted broken lines representing the underside surface of the wings, illustrate unclaimed features of the light fixture and form no part of the claimed design. The appearance of any portion of the light fixture between the break forms no part of the claimed design.

(56) **References Cited**

U.S. PATENT DOCUMENTS

D110,198 S *	6/1938	Stewart	.....	D26/76
D569,026 S *	5/2008	Silver	.....	D26/76
D604,447 S *	11/2009	Klaus	.....	D26/76
D616,138 S *	5/2010	Lasthein	.....	D26/76
D621,086 S *	8/2010	Purcell	.....	D26/76
D632,823 S *	2/2011	Kong	.....	D26/76
D645,194 S *	9/2011	Budike, Jr.	.....	D26/76
D696,810 S *	12/2013	Ni	.....	D26/76
D757,324 S *	5/2016	Rodgers	.....	D26/76
D805,234 S *	12/2017	Ross	.....	D26/76

**1 Claim, 4 Drawing Sheets**



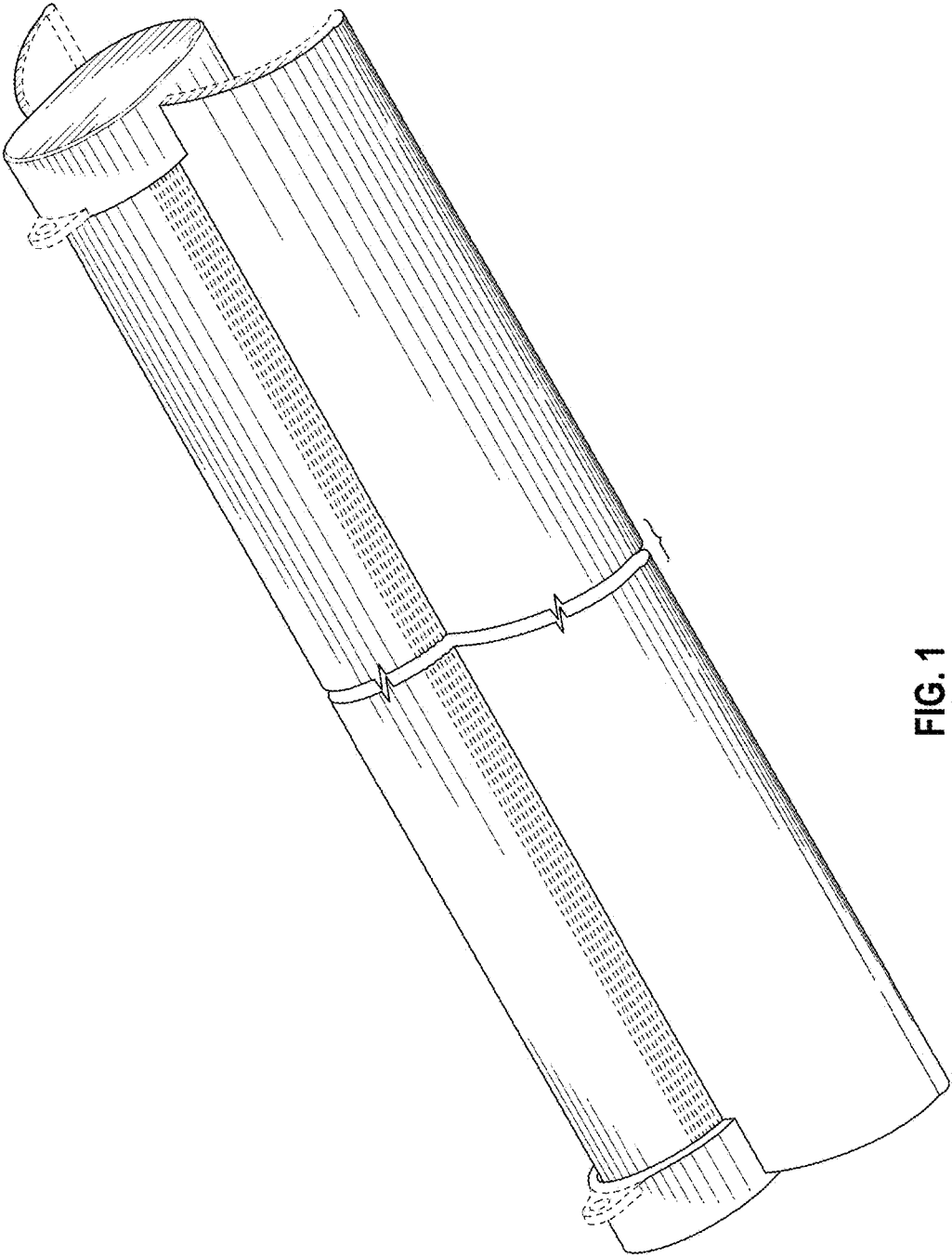


FIG. 1

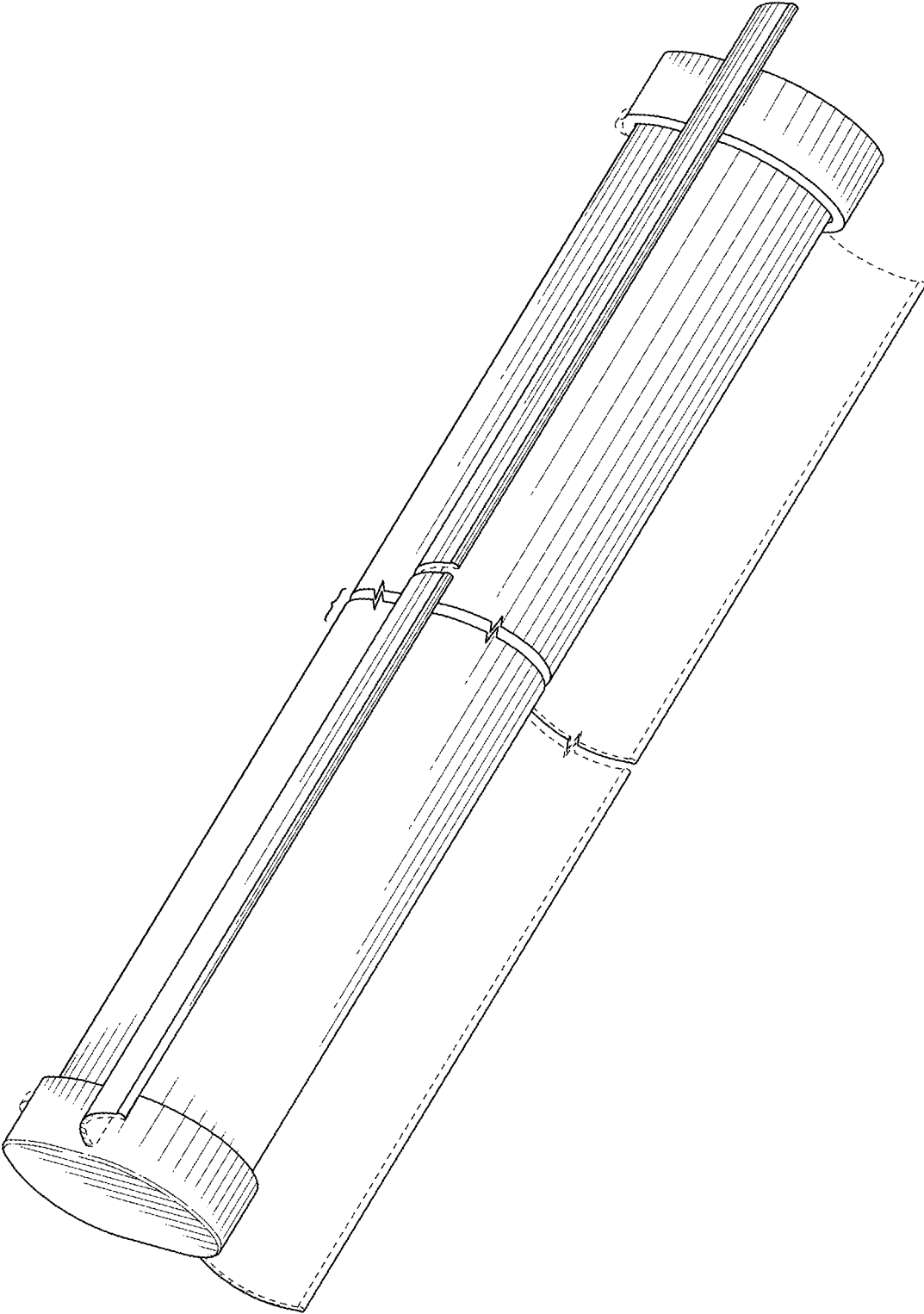


FIG. 2

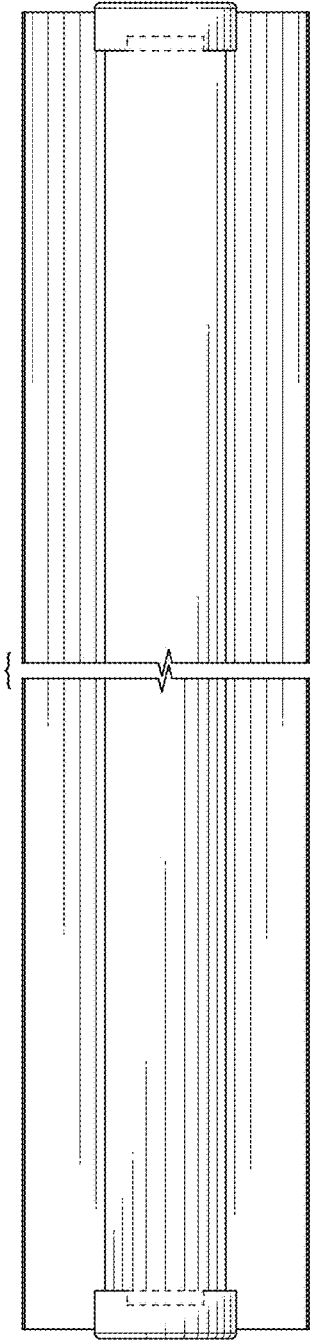


FIG. 3

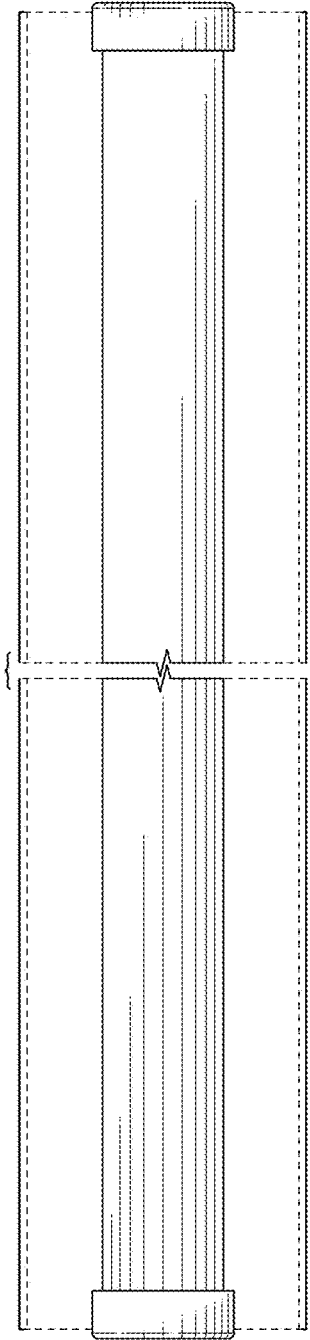


FIG. 4

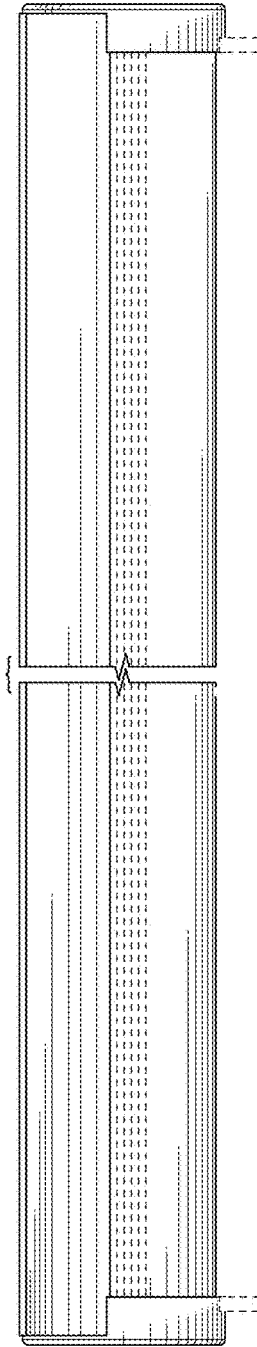


FIG. 5

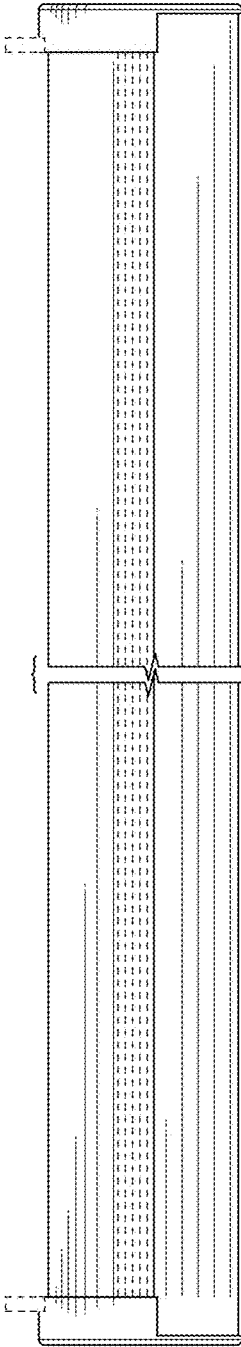


FIG. 6

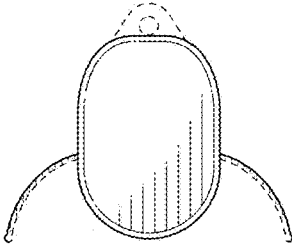


FIG. 7

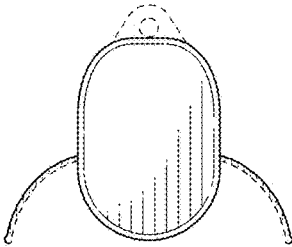


FIG. 8