

(19) World Intellectual Property
Organization
International Bureau



(43) International Publication Date
16 December 2004 (16.12.2004)

PCT

(10) International Publication Number
WO 2004/108474 A3

(51) International Patent Classification⁷: B60P 1/28,
B62B 3/08

(21) International Application Number:
PCT/GB2004/002402

(22) International Filing Date: 4 June 2004 (04.06.2004)

(25) Filing Language: English

(26) Publication Language: English

(30) Priority Data:
0313118.2 6 June 2003 (06.06.2003) GB

(71) Applicant and

(72) Inventor: HESKIN, Keith, Clifford [GB/GB]; Andover House, Fairmile, Henley-on-Thames Oxfordshire RG9 2LA (GB).

(74) Agents: MCLEISH, Nicholas, Alistair, Maxwell et al.; Boulton Watt Tennant, Verulam Gardens, 70 Gray's Inn Road, LONDON WC1X 8BT (GB).

(81) Designated States (unless otherwise indicated, for every kind of national protection available): AE, AG, AL, AM, AT, AU, AZ, BA, BB, BG, BR, BW, BY, BZ, CA, CH, CN,

CO, CR, CU, CZ, DE, DK, DM, DZ, EC, EE, EG, ES, FI, GB, GD, GE, GH, GM, HR, HU, ID, IL, IN, IS, JP, KE, KG, KP, KR, KZ, LC, LK, LR, LS, LT, LU, LV, MA, MD, MG, MK, MN, MW, MX, MZ, NA, NI, NO, NZ, OM, PG, PH, PL, PT, RO, RU, SC, SD, SE, SG, SK, SL, SY, TJ, TM, TN, TR, TT, TZ, UA, UG, US, UZ, VC, VN, YU, ZA, ZM, ZW.

(84) Designated States (unless otherwise indicated, for every kind of regional protection available): ARIPO (BW, GH, GM, KE, LS, MW, MZ, NA, SD, SL, SZ, TZ, UG, ZM, ZW), Eurasian (AM, AZ, BY, KG, KZ, MD, RU, TJ, TM), European (AT, BE, BG, CH, CY, CZ, DE, DK, EE, ES, FI, FR, GB, GR, HU, IE, IT, LU, MC, NL, PL, PT, RO, SE, SI, SK, TR), OAPI (BF, BJ, CF, CG, CI, CM, GA, GN, GQ, GW, ML, MR, NE, SN, TD, TG).

Declaration under Rule 4.17:

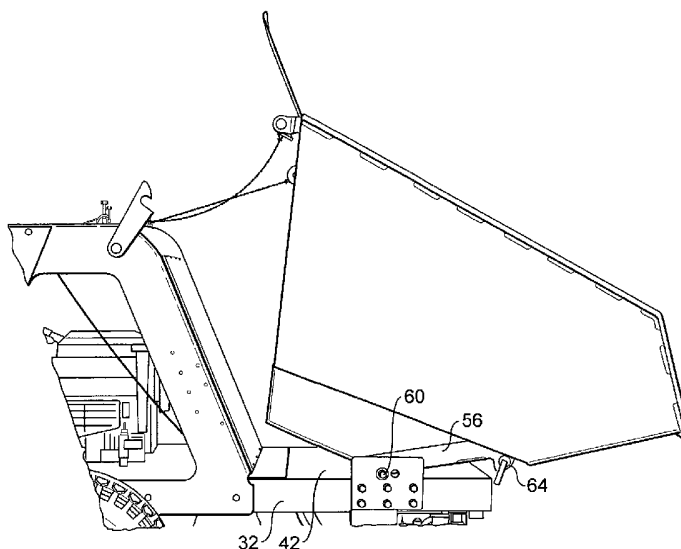
— of inventorship (Rule 4.17(iv)) for US only

Published:

— with international search report
— before the expiration of the time limit for amending the claims and to be republished in the event of receipt of amendments

[Continued on next page]

(54) Title: TIPPING MECHANISM



(57) Abstract: A tipping mechanism for a skip (40), especially the skip of a power barrow (30), is disclosed. A pivoting member (56) is pivotally attached a) to a barrow frame (32) about a first axis (60), and b) to the skip (40) about a second axis (64), the second axis extending parallel to and spaced from the first axis. The skip (40) is pivotable about the first axis (60) between a first position, in which its centre of gravity (c.o.g.) is above and at/near the first axis (60), and a second position, in which the c.o.g. is above and at/near the second axis (64). The skip (40) is also pivotable about the second axis (64) between the second position and a third position, in which the c.o.g. is forward of the second axis (64). The skip (40) may pivot from the first to third positions automatically, or by manual initiation, for some or all of the positions, to discharge the skip contents.

WO 2004/108474 A3



(88) Date of publication of the international search report:
24 March 2005

For two-letter codes and other abbreviations, refer to the "Guidance Notes on Codes and Abbreviations" appearing at the beginning of each regular issue of the PCT Gazette.

INTERNATIONAL SEARCH REPORT

International Application No
PCT/GB2004/002402

A. CLASSIFICATION OF SUBJECT MATTER
IPC 7 B60P1/28 B62B3/08

According to International Patent Classification (IPC) or to both national classification and IPC

B. FIELDS SEARCHED

Minimum documentation searched (classification system followed by classification symbols)
IPC 7 B60P B62B

Documentation searched other than minimum documentation to the extent that such documents are included in the fields searched

Electronic data base consulted during the international search (name of data base and, where practical, search terms used)

EPO-Internal, WPI Data, PAJ

C. DOCUMENTS CONSIDERED TO BE RELEVANT

Category °	Citation of document, with indication, where appropriate, of the relevant passages	Relevant to claim No.
A	DE 15 05 291 A1 (AKTIEBOLAGET MALMOE SMIDES & KASSASKAPSFABRIK) 10 July 1969 (1969-07-10) page 7, line 25 - page 9, line 8 figures 2,4	1,2,6, 9-12,14, 16-18, 20,21, 25,27
A	US 3 200 973 A (GALBRAITH DONALD D) 17 August 1965 (1965-08-17) column 1, line 48 - column 3, line 20 figures 1-3	1,3-5,7, 9-11,20, 21,25,27
A	FR 2 632 256 A3 (TOLERIE INDLE CHAUDRONNERIE) 8 December 1989 (1989-12-08) abstract; figures 1,2	1,25,27
	-/--	

Further documents are listed in the continuation of box C.

Patent family members are listed in annex.

° Special categories of cited documents :

- *A* document defining the general state of the art which is not considered to be of particular relevance
- *E* earlier document but published on or after the international filing date
- *L* document which may throw doubts on priority claim(s) or which is cited to establish the publication date of another citation or other special reason (as specified)
- *O* document referring to an oral disclosure, use, exhibition or other means
- *P* document published prior to the international filing date but later than the priority date claimed

- *T* later document published after the international filing date or priority date and not in conflict with the application but cited to understand the principle or theory underlying the invention
- *X* document of particular relevance; the claimed invention cannot be considered novel or cannot be considered to involve an inventive step when the document is taken alone
- *Y* document of particular relevance; the claimed invention cannot be considered to involve an inventive step when the document is combined with one or more other such documents, such combination being obvious to a person skilled in the art.
- *&* document member of the same patent family

Date of the actual completion of the international search

Date of mailing of the international search report

26 January 2005

03/02/2005

Name and mailing address of the ISA
European Patent Office, P.B. 5818 Patentlaan 2
NL - 2280 HV Rijswijk
Tel. (+31-70) 340-2040, Tx. 31 651 epo nl,
Fax: (+31-70) 340-3016

Authorized officer

Christensen, J

INTERNATIONAL SEARCH REPORT

Int. Application No.
PCT/GB2004/002402

C.(Continuation) DOCUMENTS CONSIDERED TO BE RELEVANT		
Category *	Citation of document, with indication, where appropriate, of the relevant passages	Relevant to claim No.
A	US 4 811 988 A (IMMEL ET AL) 14 March 1989 (1989-03-14) column 3, line 20 - column 4, line 43 figures 1,2 <p style="text-align: center;">-----</p>	1, 14, 20, 25, 27

INTERNATIONAL SEARCH REPORT

Information on patent family members

International Application No
PCT/GB2004/002402

Patent document cited in search report		Publication date	Patent family member(s)	Publication date
DE 1505291	A1	10-07-1969	NONE	
US 3200973	A	17-08-1965	NONE	
FR 2632256	A3	08-12-1989	NONE	
US 4811988	A	14-03-1989	NONE	