



US00D715587S

(12) **United States Design Patent**
Knöll

(10) **Patent No.:** **US D715,587 S**

(45) **Date of Patent:** **** Oct. 21, 2014**

(54) **COOKTOP**

99/342; 432/176

See application file for complete search history.

(71) Applicant: **BSH Bosch und Siemens Hausgeräte GmbH**, Munich (DE)

(56) **References Cited**

(72) Inventor: **Sebastian Knöll**, Hamburg (DE)

U.S. PATENT DOCUMENTS

(73) Assignee: **BSH Bosch und Siemens Hausgeraete GmbH**, Munich (DE)

D210,336	S	*	2/1968	Jenn et al.	D7/346
4,264,805	A	*	4/1981	Traut	219/452.12
D276,492	S	*	11/1984	Sasaki	D7/346
D277,449	S	*	2/1985	Vetter et al.	D7/346
D342,641	S	*	12/1993	Falk	D7/407
5,400,765	A	*	3/1995	Goldstein et al.	126/39 J
6,050,176	A	*	4/2000	Schultheis et al.	99/339
D451,332	S	*	12/2001	Busalt	D7/346
D506,637	S	*	6/2005	Tanaka	D7/346
D509,095	S	*	9/2005	Grutzke et al.	D7/346
7,041,945	B2	*	5/2006	Aihara et al.	219/622

(**) Term: **14 Years**

(21) Appl. No.: **29/488,747**

(22) Filed: **Apr. 23, 2014**

(Continued)

Related U.S. Application Data

(62) Division of application No. 29/475,657, filed on Dec. 5, 2013, which is a division of application No. 29/431,754, filed on Sep. 11, 2012, now Pat. No. Des. 697,749.

Primary Examiner — Martie K Holtje

(74) *Attorney, Agent, or Firm* — James E. Howard; Andre Pallapies

(30) **Foreign Application Priority Data**

Mar. 12, 2012 (EM) 001319693

(57) **CLAIM**

The ornamental design for a cooktop, as shown and described.

(51) **LOC (10) Cl.** **07-02**

(52) **U.S. Cl.**
USPC **D7/346**

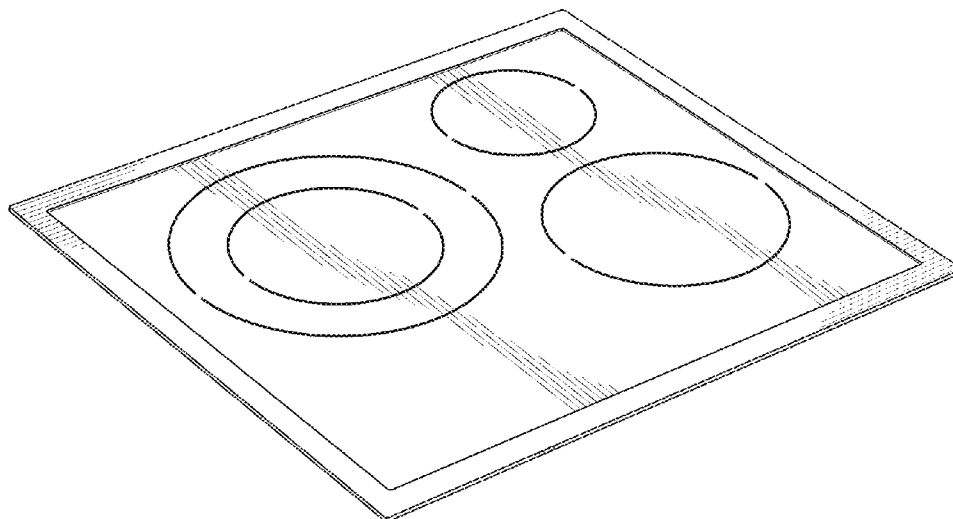
DESCRIPTION

(58) **Field of Classification Search**

CPC F24C 15/10; F24C 15/102; H05B 3/74; H05B 6/10; H05B 6/12; H05B 6/1209; H05B 6/1263
USPC D7/323, 336, 337, 339, 340, 346, 347, D7/348, 402-409, 387; D14/126, 335, D14/336, 371; 126/39 A, 39 R, 39 J, 211, 126/214 A, 214 C, 215-218, 152 R; 219/460.1-464.1, 506, 621-624, 627, 219/480, 483, 445.1, 660, 665, 448.1, 219/452.12; 431/10; 307/104; 99/339, 340,

FIG. 1 is a front perspective view of a cooktop according to a first embodiment showing my new ornamental design; FIG. 2 is a top view thereof; FIG. 3 is a front perspective view of a cooktop according to a second embodiment showing my new ornamental design; FIG. 4 is a front view of FIG. 3; FIG. 5 is a rear view of FIG. 3; FIG. 6 is a top view of FIG. 3; FIG. 7 is a bottom view of FIG. 3; FIG. 8 is a left side view of FIG. 3; and, FIG. 9 is a right side view of FIG. 3.

1 Claim, 4 Drawing Sheets



US D715,587 S

Page 2

(56)

References Cited

U.S. PATENT DOCUMENTS

7,049,552 B2 *	5/2006	Arntz et al.	219/452.12	D641,584 S *	7/2011	Sadtler	D7/346
D553,901 S *	10/2007	Grey et al.	D7/346	D643,674 S *	8/2011	Lee et al.	D7/363
D641,583 S *	7/2011	Sadtler	D7/346	D651,447 S *	1/2012	Sadtler	D7/346
				D655,565 S *	3/2012	Goss et al.	D7/346
				2009/0194527 A1 *	8/2009	Okada	219/624

* cited by examiner

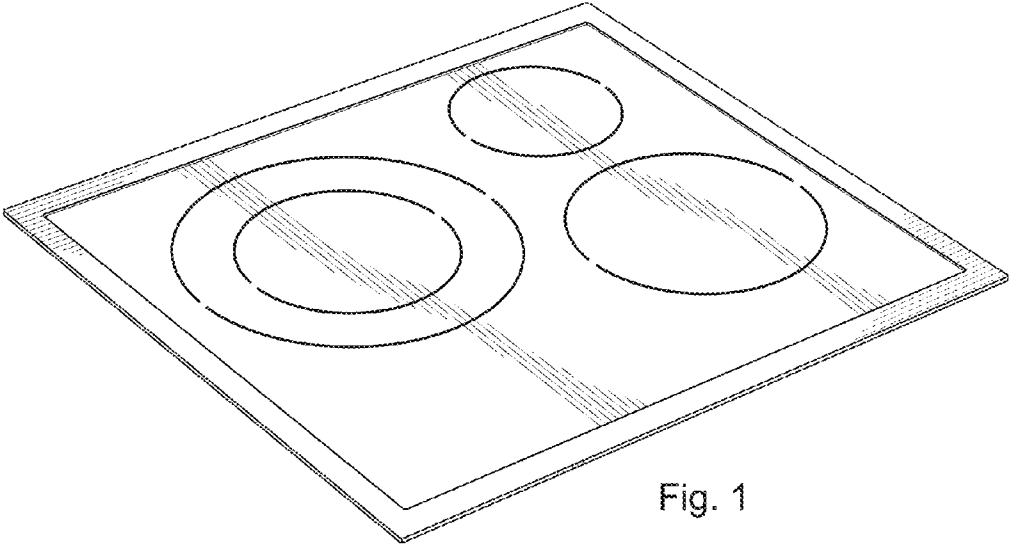


Fig. 1

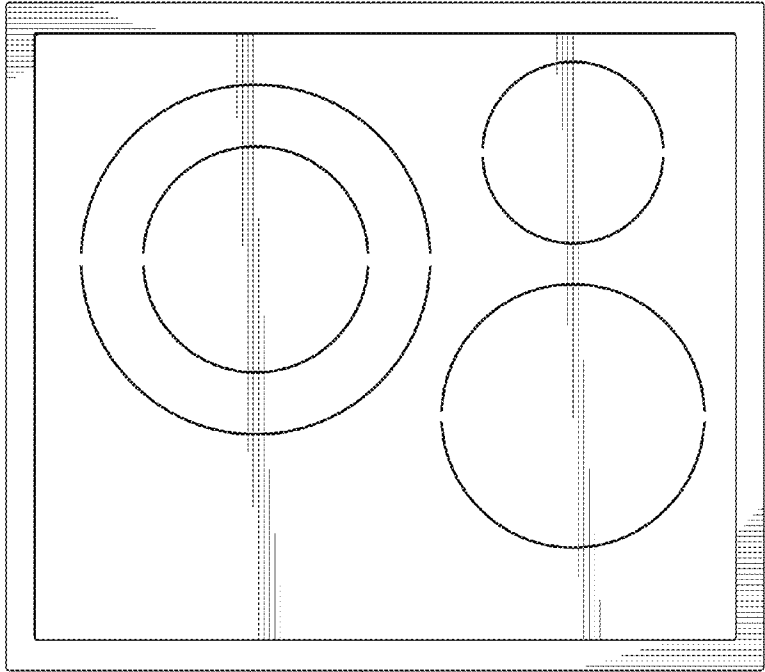


Fig. 2

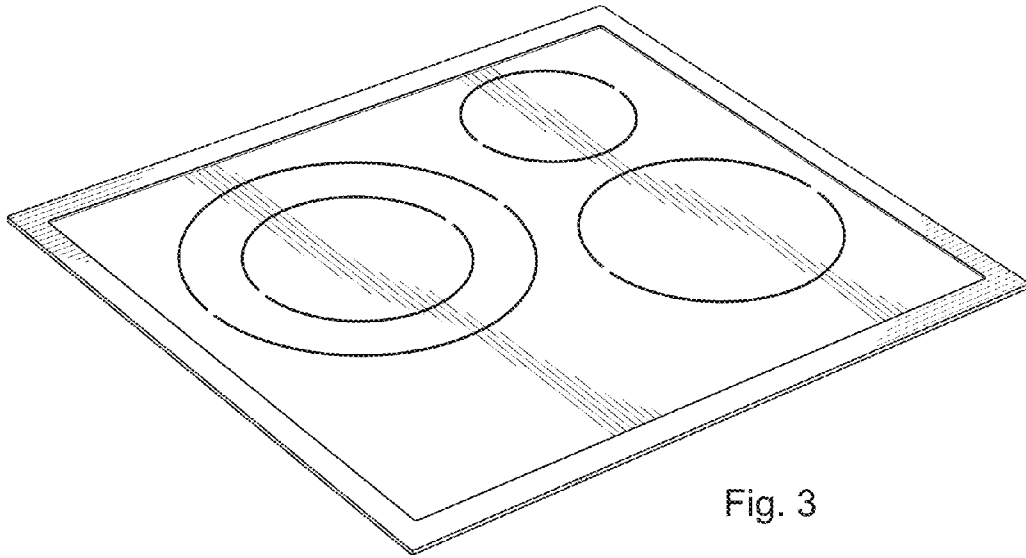


Fig. 3



Fig. 4



Fig. 5

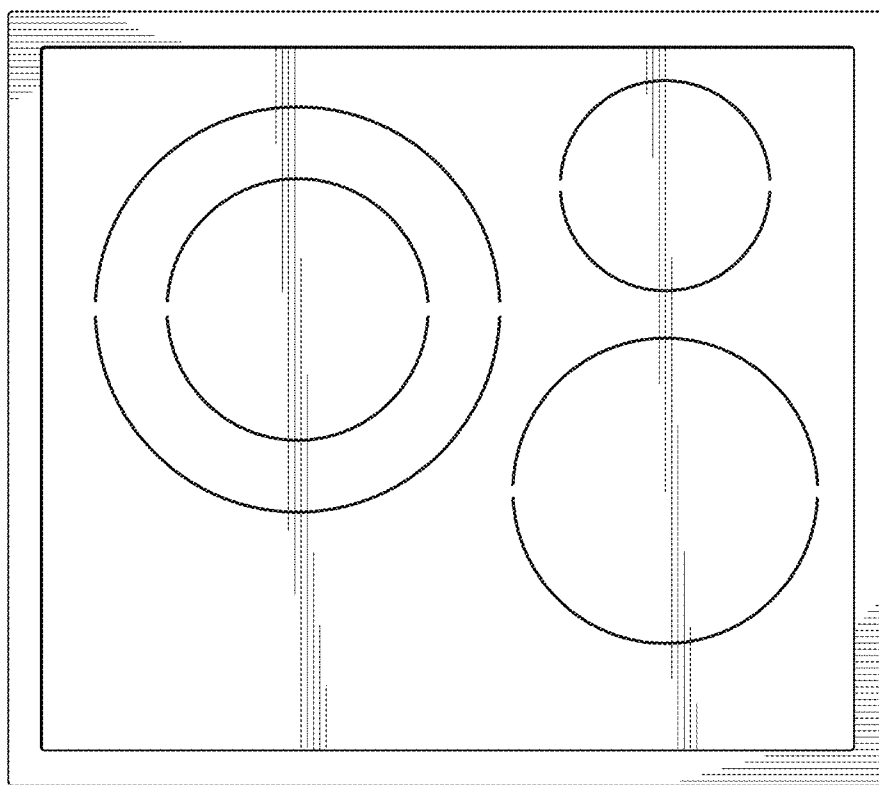


Fig. 6

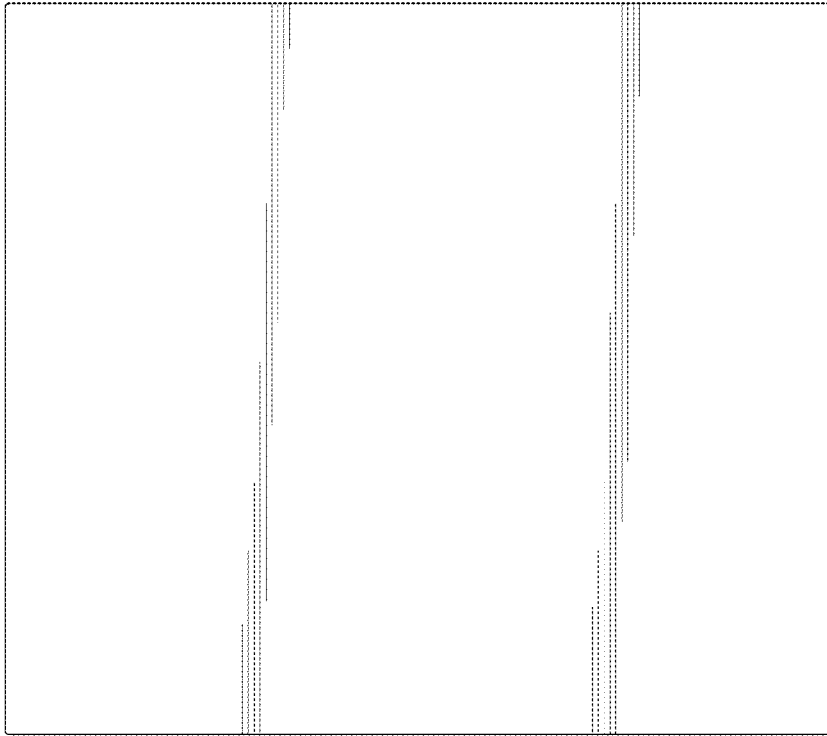


Fig. 7



Fig. 8



Fig. 9