

[54] FAUCET HANDLE AND THE LIKE
 [75] Inventor: John P. Ronvik, Palos Heights, Ill.
 [73] Assignee: Sears, Roebuck and Co., Chicago, Ill.
 [**] Term: 14 Years
 [21] Appl. No.: 157,122
 [22] Filed: Jun. 6, 1980
 [51] Int. Cl. D23-01
 [52] U.S. Cl. D23/28; D8/310
 [58] Field of Search D23/23-32;
 D8/308, 310, 321; 16/121

[56] **References Cited**
 U.S. PATENT DOCUMENTS

D. 207,898	6/1967	Doman	D23/28
D. 207,986	6/1967	Smalley	D23/28
D. 223,155	3/1972	Owings	D23/28
D. 223,913	6/1972	Niemann	D23/29
D. 227,251	6/1973	Botefur et al.	D23/28
D. 238,948	2/1976	Landell	D23/28
D. 241,843	10/1976	Shames et al.	D23/28

403,774	6/1890	Hamilton	.
600,849	3/1898	Brown	.
1,803,375	5/1931	Adams	.
1,848,526	3/1932	Heerwagen	.
1,958,165	5/1934	Le Compte	.
1,993,938	3/1935	McDonald 16/121
2,007,476	7/1935	Miller	.
2,919,947	1/1960	Scott	.
3,313,057	4/1967	Leddy	.
3,430,377	3/1969	Ellison	.
3,487,496	1/1970	Guyton 16/121

Primary Examiner—James R. Largen
 Attorney, Agent, or Firm—Arnstein, Gluck & Lehr

[57] **CLAIM**

The ornamental design for a faucet handle and the like, as shown and described.

DESCRIPTION

FIG. 1 is a top perspective view for a faucet handle and the like showing my new design;
 FIG. 2 is a side elevational view thereof; and
 FIG. 3 is a cross sectional view taken on line 3—3 of FIG. 2.

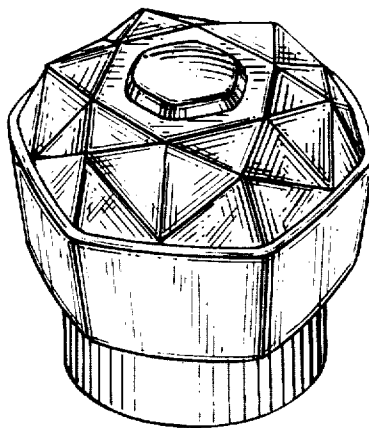


Fig. 1.

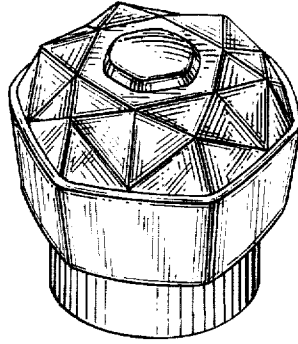


Fig. 2.

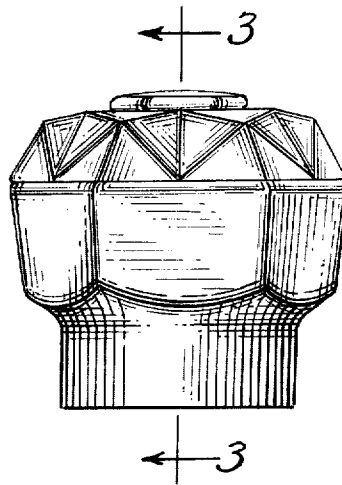


Fig. 3.

