



US00D714262S

(12) **United States Design Patent**  
**Lin**

(10) **Patent No.:** **US D714,262 S**

(45) **Date of Patent:** **\*\* Sep. 30, 2014**

(54) **EARPHONE JACK FOR TELEPHONE BASE**

(71) Applicant: **Pi-Fen Lin**, Taipei (TW)

(72) Inventor: **Pi-Fen Lin**, Taipei (TW)

(\*\*) Term: **14 Years**

(21) Appl. No.: **29/449,397**

(22) Filed: **Mar. 15, 2013**

(51) **LOC (10) Cl.** ..... **14-01**

(52) **U.S. Cl.**  
USPC ..... **D14/224; D14/142**

(58) **Field of Classification Search**  
USPC ..... D14/140, 149, 150, 151, 163, 206, 208,  
D14/209.1, 240, 249, 251-253; 455/41.2,  
455/569.1; 379/419, 420, 420.04, 428  
See application file for complete search history.

(56) **References Cited**

**U.S. PATENT DOCUMENTS**

3,020,333	A	*	2/1962	Bangert et al.	.....	174/94	R
D294,352	S	*	2/1988	Read	.....	D14/149	
4,796,150	A	*	1/1989	Dickey et al.	.....	361/119	
5,102,129	A	*	4/1992	Roberts	.....	473/414	
D352,711	S	*	11/1994	Solomita et al.	.....	D14/149	
6,356,053	B1	*	3/2002	Sandoz et al.	.....	320/115	
D480,393	S	*	10/2003	Toor et al.	.....	D14/253	
6,652,292	B2	*	11/2003	Pratt et al.	.....	439/76.1	
D544,476	S	*	6/2007	Wilson et al.	.....	D14/251	

D560,714	S	*	1/2008	Hattori et al.	.....	D18/50	
7,331,801	B1	*	2/2008	Eichorn	.....	439/79	
D581,917	S	*	12/2008	Lin	.....	D14/240	
7,588,466	B2	*	9/2009	Blasko et al.	.....	439/620.09	

\* cited by examiner

*Primary Examiner* — Thomas Johannes

*Assistant Examiner* — Holly E Thurman

(74) *Attorney, Agent, or Firm* — Li & Cai Intellectual Property (USA) Office

(57) **CLAIM**

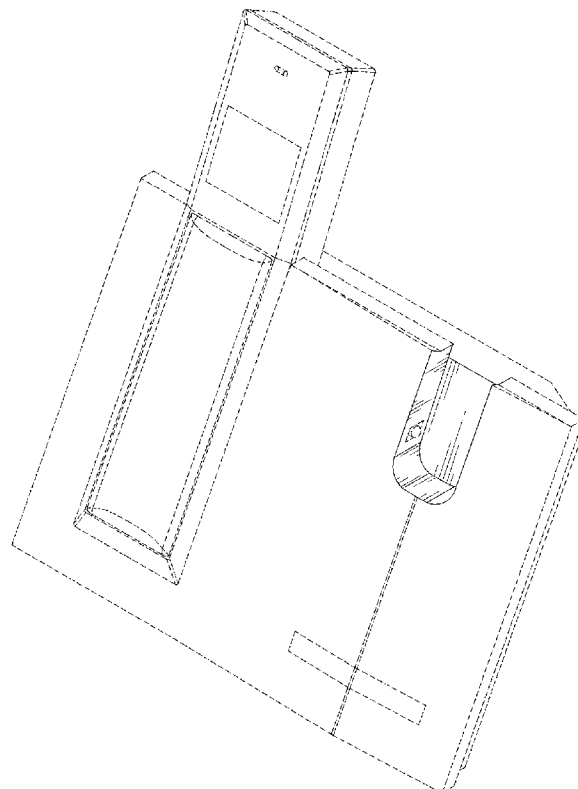
The ornamental design for an “earphone jack for telephone base,” as shown and described.

**DESCRIPTION**

FIG. 1 is a perspective view of an earphone jack for telephone base showing my new design;  
FIG. 2 is a front view thereof;  
FIG. 3 is a rear view thereof;  
FIG. 4 is a left side view thereof;  
FIG. 5 is a right side view thereof;  
FIG. 6 is a top view thereof;  
FIG. 7 is a bottom view thereof; and,  
FIG. 8 is a perspective view showing the practical usage thereof.

The broken lines depict unclaimed portions of the earphone jack for telephone base only, which form no part of the claimed design.

**1 Claim, 8 Drawing Sheets**



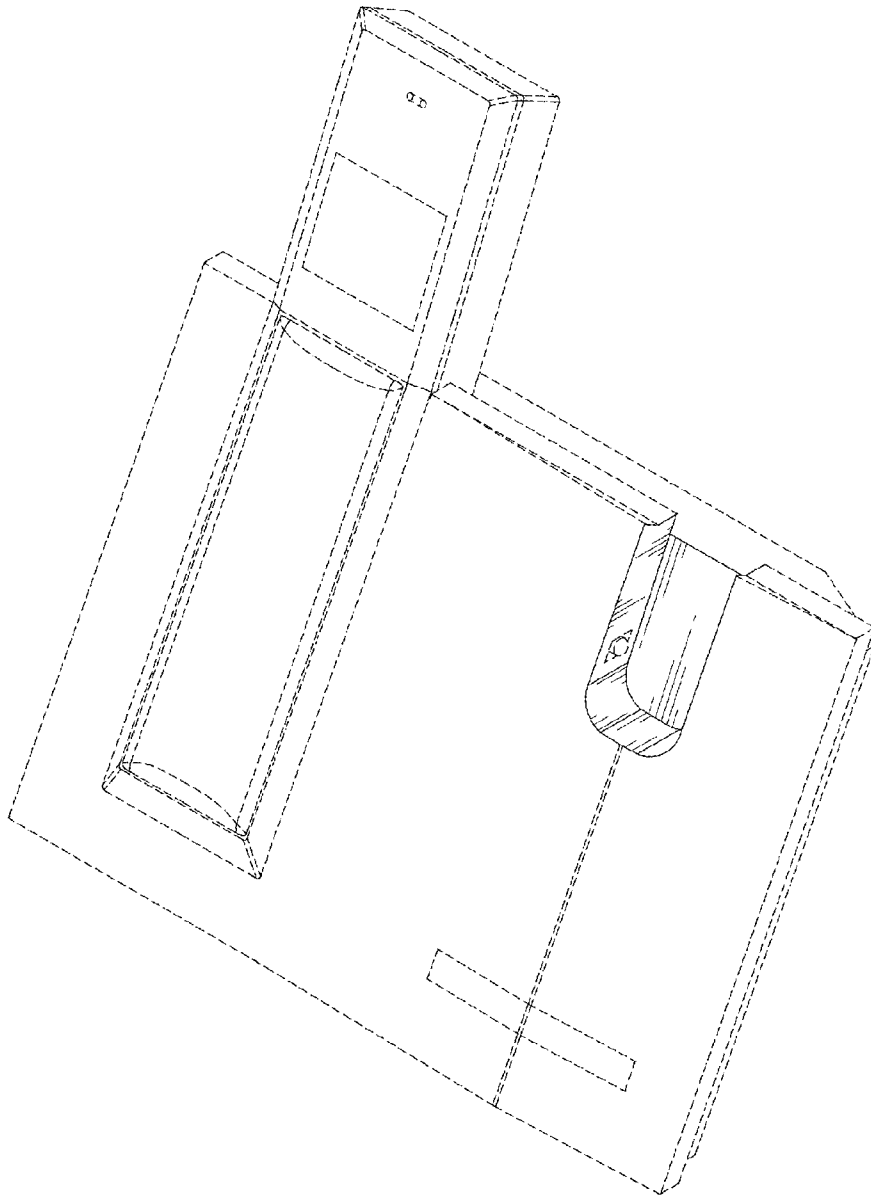


FIG.1

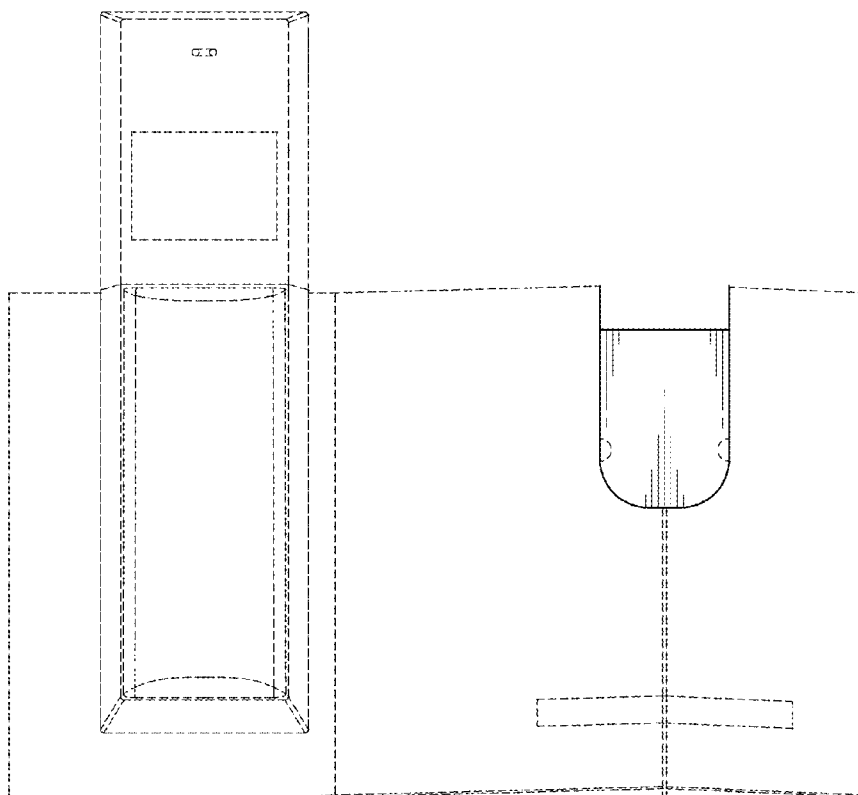


FIG.2

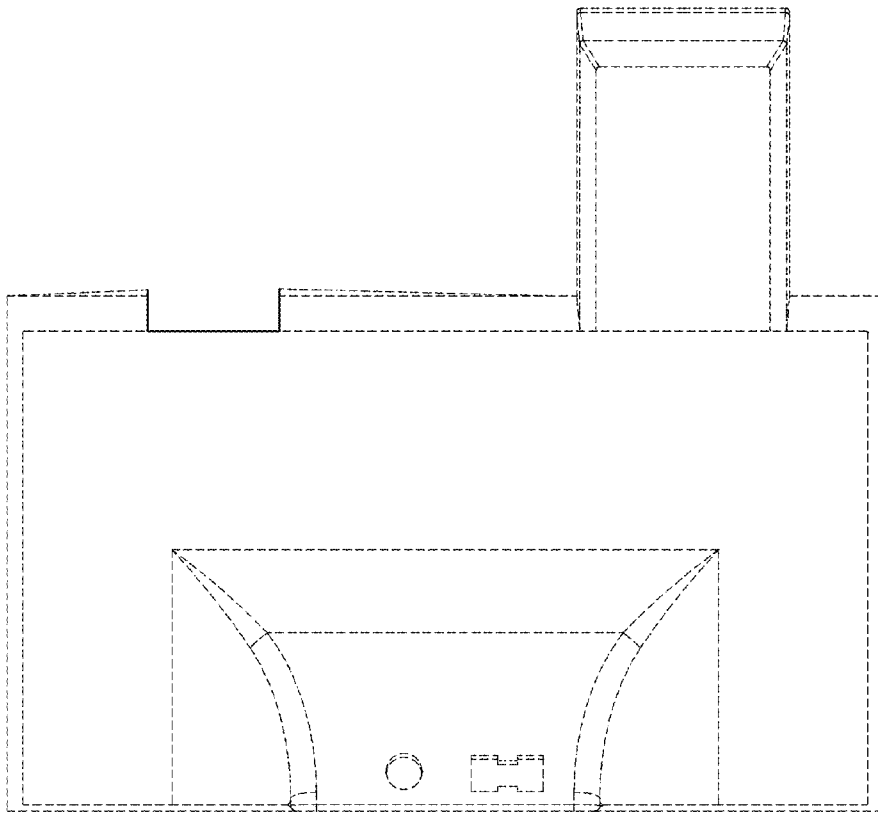


FIG.3

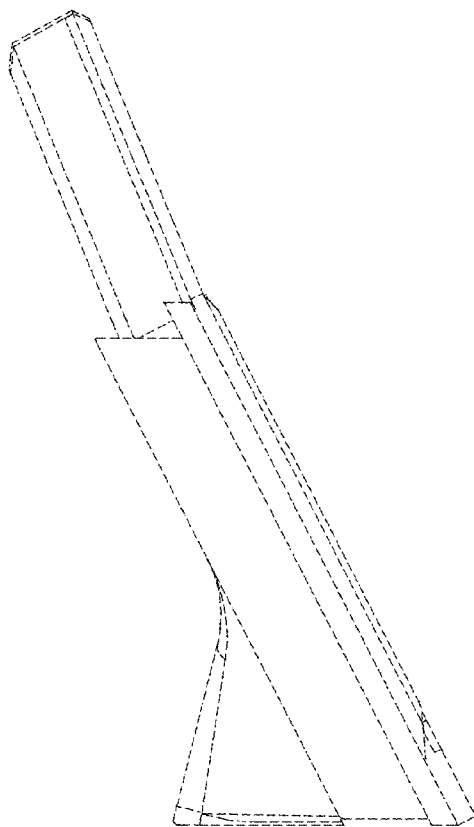


FIG.4

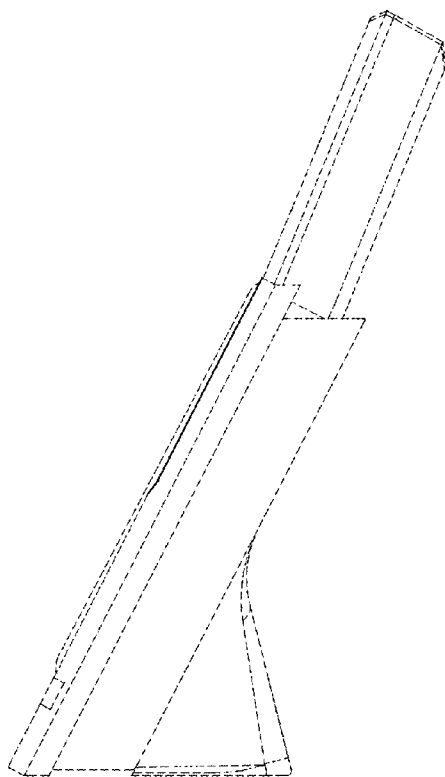


FIG.5

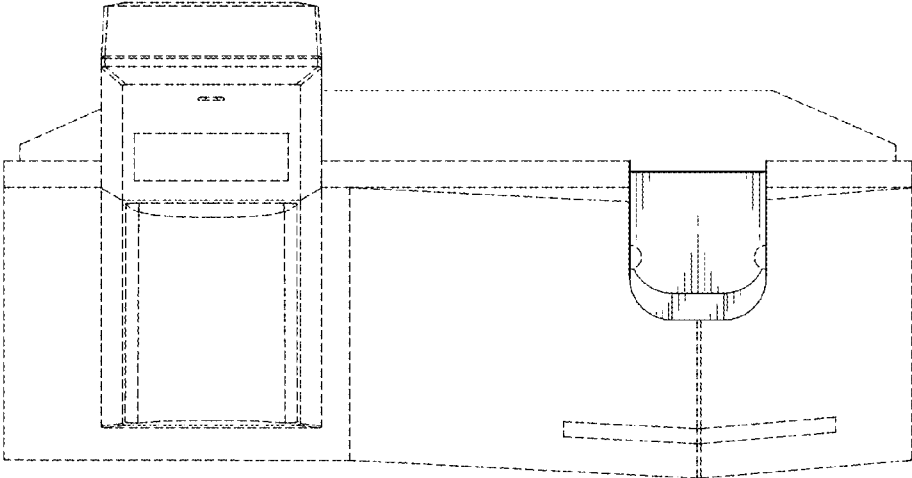


FIG.6

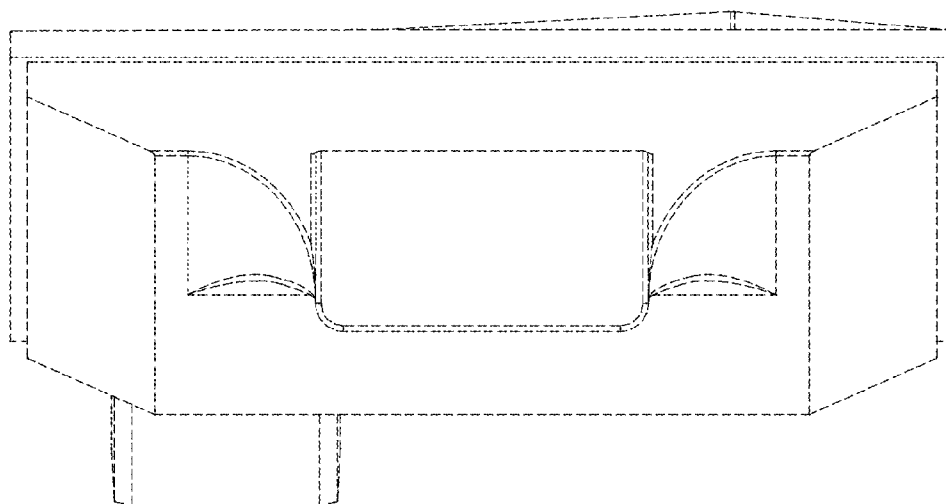


FIG.7

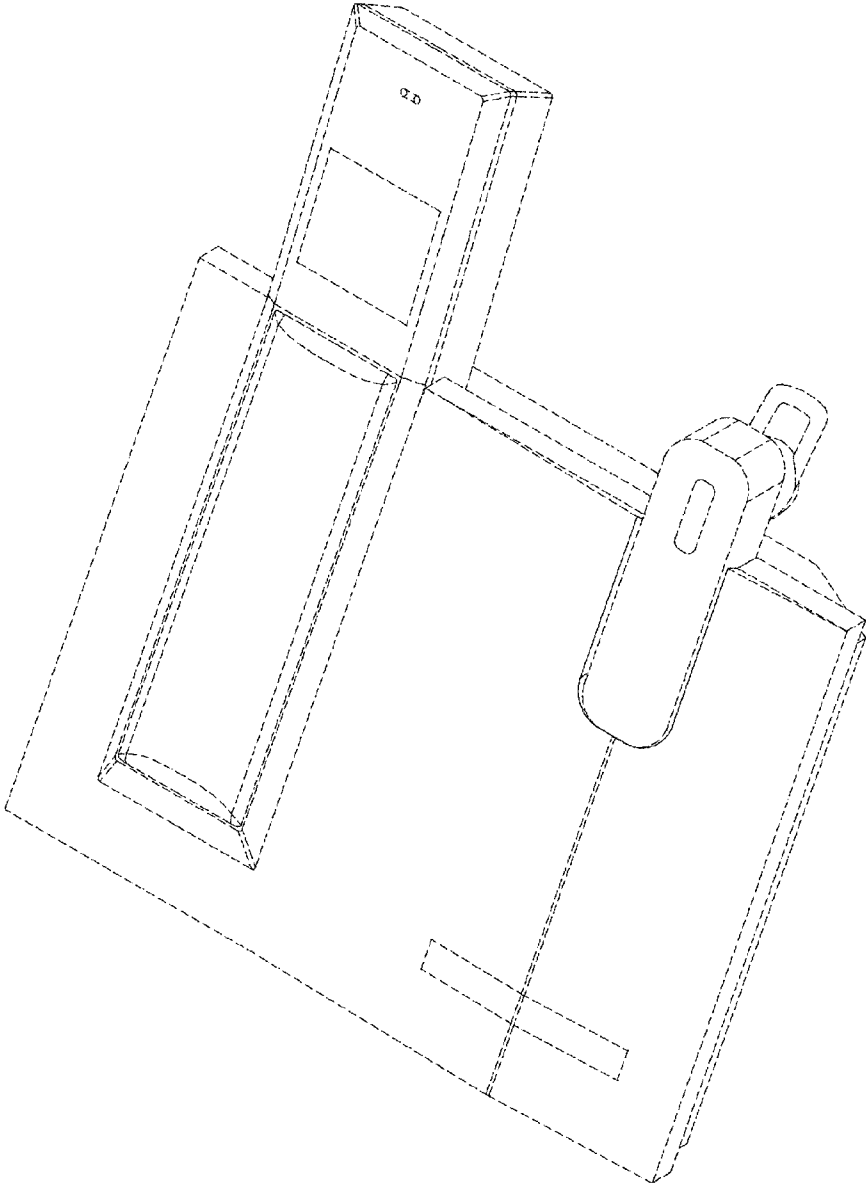


FIG.8