

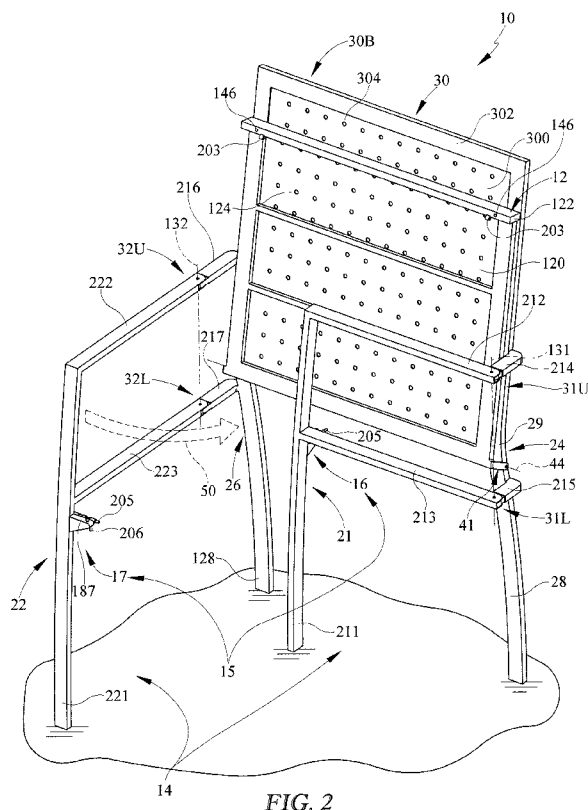


- (51) International Patent Classification:
A47C 4/04 (2006.01) A47C 4/10 (2006.01)
- (21) International Application Number:
PCT/US2012/035016
- (22) International Filing Date:
25 April 2012 (25.04.2012)
- (25) Filing Language: English
- (26) Publication Language: English
- (30) Priority Data:
61/478,770 25 April 2011 (25.04.2011) US
- (71) Applicant (for all designated States except US): COSCO MANAGEMENT, INC. [US/US]; 300 Delaware Avenue, Suite 1285, Wilmington, DE 19801 (US).
- (72) Inventor; and
- (75) Inventor/Applicant (for US only): VORIS, Larry [US/US]; 428 Town Hill Road, Nashville, IN 47448 (US).

- (74) Agent: REZEK, Richard, A.; Barnes & Thornburg LLP, 11 South Meridian Street, Indianapolis, IN 46204 (US).
- (81) Designated States (unless otherwise indicated, for every kind of national protection available): AE, AG, AL, AM, AO, AT, AU, AZ, BA, BB, BG, BH, BR, BW, BY, BZ, CA, CH, CL, CN, CO, CR, CU, CZ, DE, DK, DM, DO, DZ, EC, EE, EG, ES, FI, GB, GD, GE, GH, GM, GT, HN, HR, HU, ID, IL, IN, IS, JP, KE, KG, KM, KN, KP, KR, KZ, LA, LC, LK, LR, LS, LT, LU, LY, MA, MD, ME, MG, MK, MN, MW, MX, MY, MZ, NA, NG, NI, NO, NZ, OM, PE, PG, PH, PL, PT, QA, RO, RS, RU, RW, SC, SD, SE, SG, SK, SL, SM, ST, SV, SY, TH, TJ, TM, TN, TR, TT, TZ, UA, UG, US, UZ, VC, VN, ZA, ZM, ZW.
- (84) Designated States (unless otherwise indicated, for every kind of regional protection available): ARIPO (BW, GH, GM, KE, LR, LS, MW, MZ, NA, RW, SD, SL, SZ, TZ, UG, ZM, ZW), Eurasian (AM, AZ, BY, KG, KZ, MD, RU, TJ, TM), European (AL, AT, BE, BG, CH, CY, CZ, DE, DK, EE, ES, FI, FR, GB, GR, HR, HU, IE, IS, IT, LT, LU, LV, MC, MK, MT, NL, NO, PL, PT, RO, RS, SE, SI, SK,

[Continued on next page]

(54) Title: FOLDING FURNITURE



(57) Abstract: A folding chair includes a frame, a seat bottom coupled to the frame, and legs for supporting the seat bottom in a horizontal position relative to the frame. The frame is formed to include a seat back.

WO 2012/149032 A3



SM, TR), OAPI (BF, BJ, CF, CG, CI, CM, GA, GN, GQ, GW, ML, MR, NE, SN, TD, TG).

Published:

- *with international search report (Art. 21(3))*
- *before the expiration of the time limit for amending the claims and to be republished in the event of receipt of amendments (Rule 48.2(h))*

Declarations under Rule 4.17:

- *as to applicant's entitlement to apply for and be granted a patent (Rule 4.17(ii))*
- *as to the applicant's entitlement to claim the priority of the earlier application (Rule 4.17(iii))*

(88) Date of publication of the international search report:

17 January 2013

A. CLASSIFICATION OF SUBJECT MATTER*A47C 4/04(2006.01)i, A47C 4/10(2006.01)i*

According to International Patent Classification (IPC) or to both national classification and IPC

B. FIELDS SEARCHED

Minimum documentation searched (classification system followed by classification symbols)

A47C 4/04; A47C 4/28; A47C 4/10; A47C 3/04; A47C 5/10; B62B 7/06

Documentation searched other than minimum documentation to the extent that such documents are included in the fields searched

Korean utility models and applications for utility models

Japanese utility models and applications for utility models

Electronic data base consulted during the international search (name of data base and, where practicable, search terms used)

eKOMPASS(KIPO internal) & Keywords: 'foldable chair', 'folding chair'

C. DOCUMENTS CONSIDERED TO BE RELEVANT

Category*	Citation of document, with indication, where appropriate, of the relevant passages	Relevant to claim No.
A	US 04052087 A (JOSEPH A. GAGLIARDI) 04 October 1977 See claims 1-10, figures 1-6 and abstract.	1-8
A	JP 2002-165666 A (HIDA SANGYO KK) 11 June 2002 See claim 1, figures 1-3 and abstract.	1-8
A	KR 10-2006-0114946 A (DAE SUNG CO., LTD.) 08 November 2006 See claims 1-4, figures 3-10 and abstract.	1-8
A	KR 10-2010-0111412 A (JUNG, SAE-IL) 15 October 2010 See claims 1-7, figures 1-5b and abstract.	1-8

 Further documents are listed in the continuation of Box C. See patent family annex.

* Special categories of cited documents:

"A" document defining the general state of the art which is not considered to be of particular relevance

"E" earlier application or patent but published on or after the international filing date

"L" document which may throw doubts on priority claim(s) or which is cited to establish the publication date of citation or other special reason (as specified)

"O" document referring to an oral disclosure, use, exhibition or other means

"P" document published prior to the international filing date but later than the priority date claimed

"T" later document published after the international filing date or priority date and not in conflict with the application but cited to understand the principle or theory underlying the invention

"X" document of particular relevance; the claimed invention cannot be considered novel or cannot be considered to involve an inventive step when the document is taken alone

"Y" document of particular relevance; the claimed invention cannot be considered to involve an inventive step when the document is combined with one or more other such documents, such combination being obvious to a person skilled in the art

"&" document member of the same patent family

Date of the actual completion of the international search

28 NOVEMBER 2012 (28.11.2012)

Date of mailing of the international search report

28 NOVEMBER 2012 (28.11.2012)

Name and mailing address of the ISA/KR

Korean Intellectual Property Office
189 Cheongsu-ro, Seo-gu, Daejeon Metropolitan
City, 302-701, Republic of Korea

Facsimile No. 82-42-472-7140

Authorized officer

PARK Mi Jung

Telephone No. 82-42-481-8447



INTERNATIONAL SEARCH REPORT

Information on patent family members

International application No.

PCT/US2012/035016

Patent document cited in search report	Publication date	Patent family member(s)	Publication date
US 04052087 A	04.10.1977	None	
JP 2002-165666 A	11.06.2002	None	
KR 10-2006-0114946 A	08.11.2006	KR 20-0392995 Y1	17.08.2005
KR 10-2010-0111412 A	15.10.2010	None	