



US00D711149S

(12) **United States Design Patent**
Christakos

(10) **Patent No.:** **US D711,149 S**

(45) **Date of Patent:** **** Aug. 19, 2014**

(54) **BUNGEE CHAIR**

(71) Applicant: **Blu Dot Design & Manufacturing, Inc.,**
Minneapolis, MN (US)

(72) Inventor: **John N. Christakos,** Minneapolis, MN
(US)

(73) Assignee: **Blu Dot Design & Manufacturing, Inc.,**
Minneapolis, MN (US)

(**) Term: **14 Years**

(21) Appl. No.: **29/477,345**

(22) Filed: **Dec. 20, 2013**

(51) **LOC (10) Cl.** **06-01**

(52) **U.S. Cl.**

USPC **D6/368**

(58) **Field of Classification Search**

USPC D6/334-336, 344, 348-349, 363,
D6/366-376, 379, 716, 716.1-716.4;
5/102; 119/28.5; 273/396, 407;
297/16.1, 16.2, 31, 34, 45-47, 50, 56,
297/180.14, 271.6, 314, 411.41, 440.11,
297/440.24, 448.1, 451.11, 451.4, 452.12,
297/452.13; 473/197, 431, 446, 456

See application file for complete search history.

(56)

References Cited

U.S. PATENT DOCUMENTS

D168,212 S	11/1952	Cicchelli	
D171,265 S	1/1954	Phillips	
2,684,709 A *	7/1954	Schawinsky	297/411.41
2,723,712 A	11/1955	Yellen	
D179,376 S *	12/1956	Breed	D6/366
D184,202 S	12/1958	Yuen	
2,916,744 A *	12/1959	May et al.	5/102
2,930,430 A	3/1960	Bloom	
3,180,685 A	4/1965	Rogalski et al.	
3,656,808 A	4/1972	Chang	

3,694,030 A	9/1972	Grosfillex	
D292,048 S	9/1987	Shaffer	
5,338,097 A *	8/1994	Tan	297/451.11
5,695,253 A	12/1997	Jenkins	
D427,797 S *	7/2000	Tseng	D6/376
D429,303 S	8/2000	Peterson, Jr.	
6,332,646 B1	12/2001	Tseng	
6,447,057 B1	9/2002	Chen	
6,554,717 B2 *	4/2003	Cho	473/197
D475,860 S	6/2003	Yang	
6,702,371 B2	3/2004	Zheng	
6,824,207 B1	11/2004	Lin	
D499,258 S *	12/2004	Tseng	D6/368
6,840,573 B1	1/2005	Yao	
6,848,740 B1	2/2005	Reese	
D503,289 S	3/2005	Eyman et al.	

(Continued)

OTHER PUBLICATIONS

Advertisement from Target, "Woven Techniques Hard Goods", Interior Design Capsule, made publicly available by at least Feb. 27, 2012.

Primary Examiner — Ricky Pham

(74) *Attorney, Agent, or Firm* — Fredrikson & Byron, P.A.

(57)

CLAIM

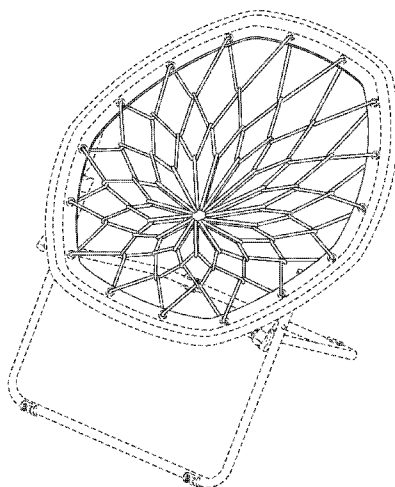
I claim the ornamental design for a bungee chair, as shown and described.

DESCRIPTION

FIG. 1 is a perspective of our new design for a bungee chair; FIG. 2 is front view thereof; FIG. 3 is a rear view thereof; FIG. 4 is a right side view thereof; FIG. 5 is a left side view thereof; FIG. 6 is a top view thereof; and, FIG. 7 is a bottom view thereof.

The broken lines shown in the drawings are for illustrative purposes only and form no part of the claimed design.

1 Claim, 7 Drawing Sheets



(56)

References Cited

U.S. PATENT DOCUMENTS

6,877,814 B2	4/2005	Lin		D637,828 S *	5/2011	Horn et al.	D6/344
6,883,862 B1	4/2005	Yao		7,938,489 B2 *	5/2011	Nazari	297/314
D507,121 S *	7/2005	Eyman et al.	7,967,374 B2	6/2011	Akkad		
D507,616 S	7/2005	Simpson		D649,800 S	12/2011	Lievore et al.		
D507,891 S	8/2005	Eyman et al.		D656,326 S	3/2012	Soewondo		
6,938,951 B1	9/2005	Tseng		8,282,509 B1	10/2012	Michaelson et al.		
6,939,241 B1 *	9/2005	Chang	D677,920 S	3/2013	Christakos		
6,957,852 B1	10/2005	Hsieh		D681,970 S	5/2013	Christakos		
6,971,712 B1	12/2005	Tseng		D683,156 S *	5/2013	Christakos	D6/368
7,000,983 B1	2/2006	Tsai		D688,057 S *	8/2013	Christakos	D6/368
D516,330 S *	3/2006	Ruiter	D691,384 S *	10/2013	Akkad	D6/368
7,011,372 B1	3/2006	Hsieh		D701,703 S *	4/2014	Aiello	D6/363
7,144,078 B2	12/2006	Hsieh		2001/0009871 A1	7/2001	Cho		
7,178,864 B2	2/2007	Hsieh		2002/0183128 A1	12/2002	Cho		
7,264,245 B2 *	9/2007	Cho	2003/0008721 A1	1/2003	Macaluso		
D554,873 S	11/2007	Ma		2003/0060309 A1 *	3/2003	Smith, IV	473/431
D555,378 S	11/2007	Tsai		2003/0078111 A1	4/2003	Wenzler		
7,311,617 B2 *	12/2007	Langhorn	2003/0168900 A1 *	9/2003	Poli	297/452.13
D565,310 S *	4/2008	Marin et al.	2003/0234561 A1	12/2003	Zheng		
D571,572 S	6/2008	Tseng		2004/0245810 A1	12/2004	Tseng		
7,401,785 B1	7/2008	Waite		2005/0088018 A1	4/2005	Yao		
7,404,601 B2	7/2008	Cheng		2006/0232108 A1	10/2006	Hsieh		
7,540,259 B2 *	6/2009	Pape et al.	2006/0249991 A1	11/2006	Hsieh		
D608,104 S *	1/2010	Vonnegut	2007/0052178 A1	3/2007	Cottrell		
7,648,421 B2	1/2010	Yoon		2007/0063550 A1	3/2007	Lin		
7,878,585 B2 *	2/2011	Salisbury	2007/0187897 A1 *	8/2007	Dilling	273/407
				2007/0187998 A1	8/2007	Chen		
				2010/0164256 A1	7/2010	Salisbury		
				2011/0043003 A1 *	2/2011	Akkad	297/16.1

* cited by examiner

Fig. 1

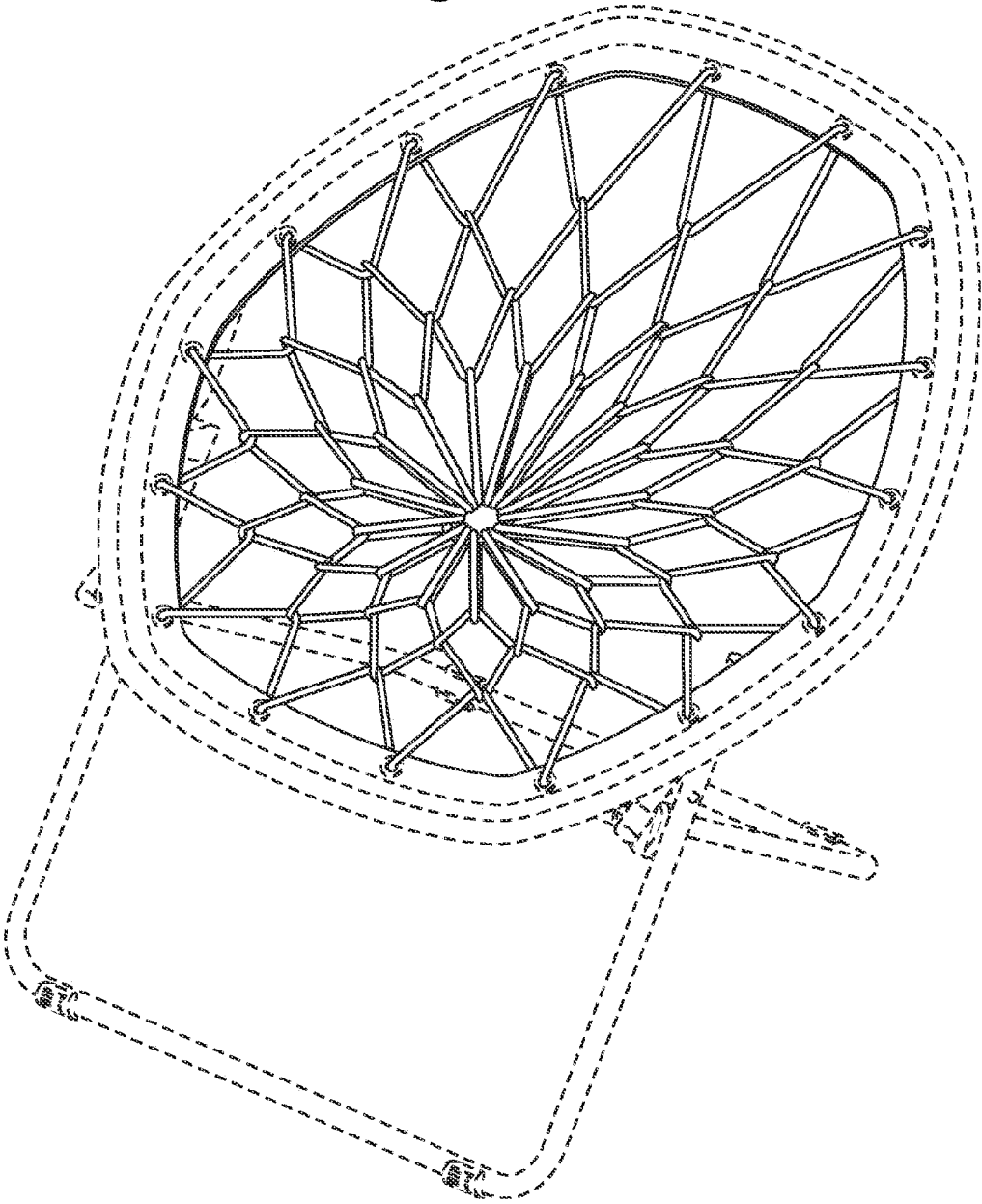


Fig. 2

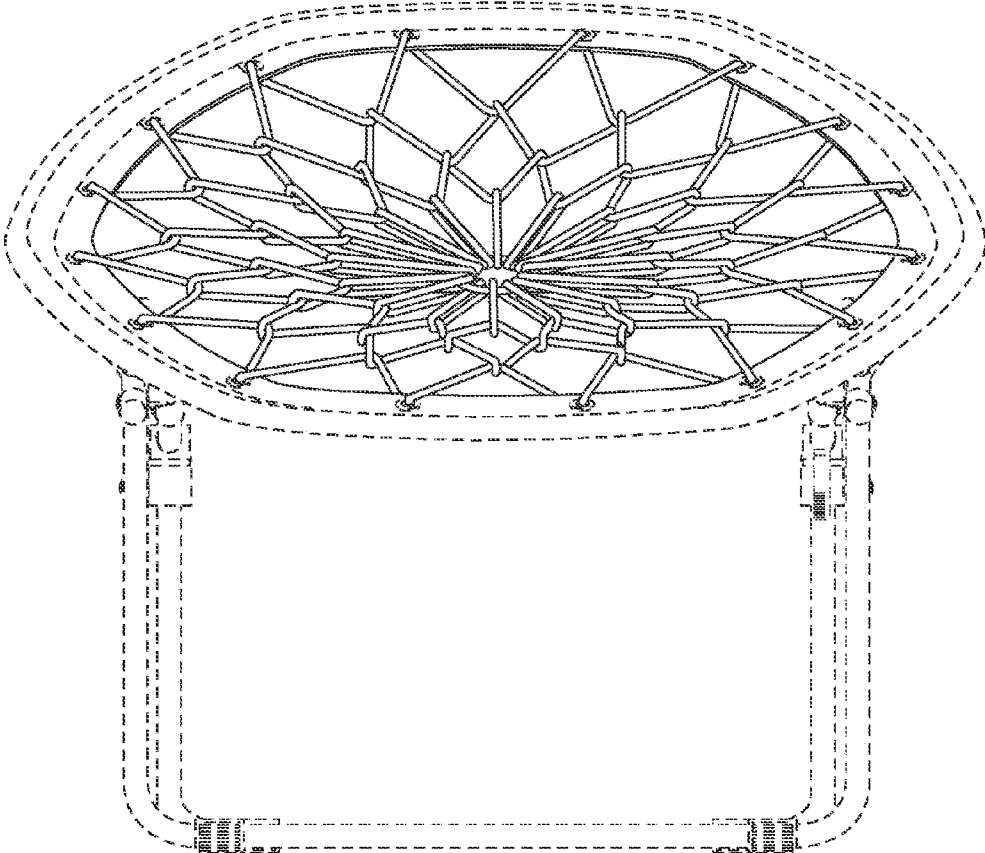


Fig. 3

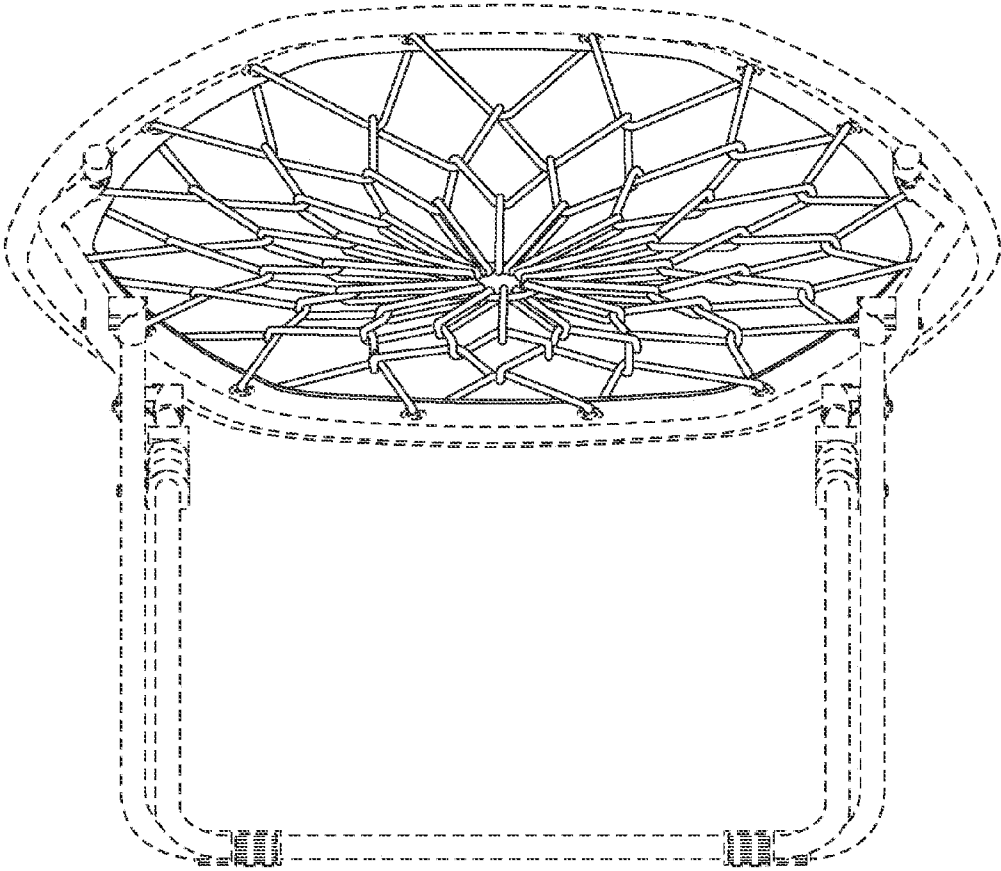


Fig. 4

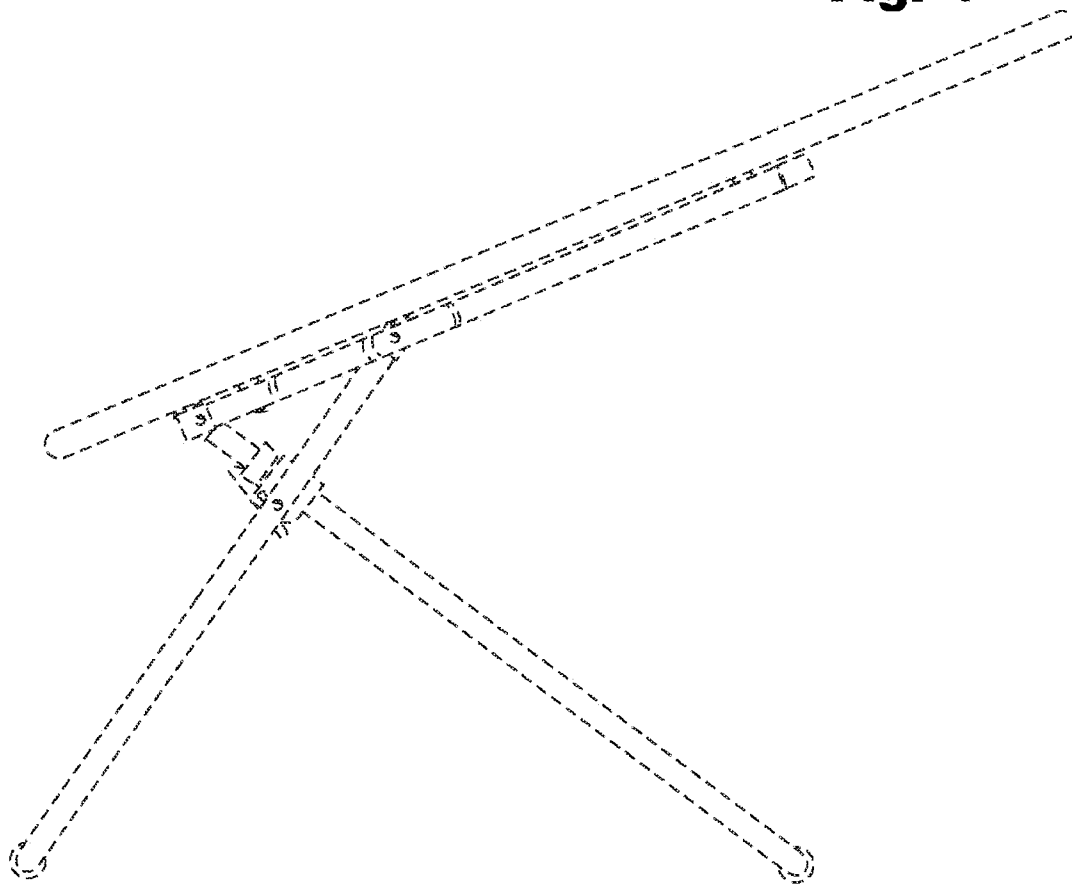


Fig. 5

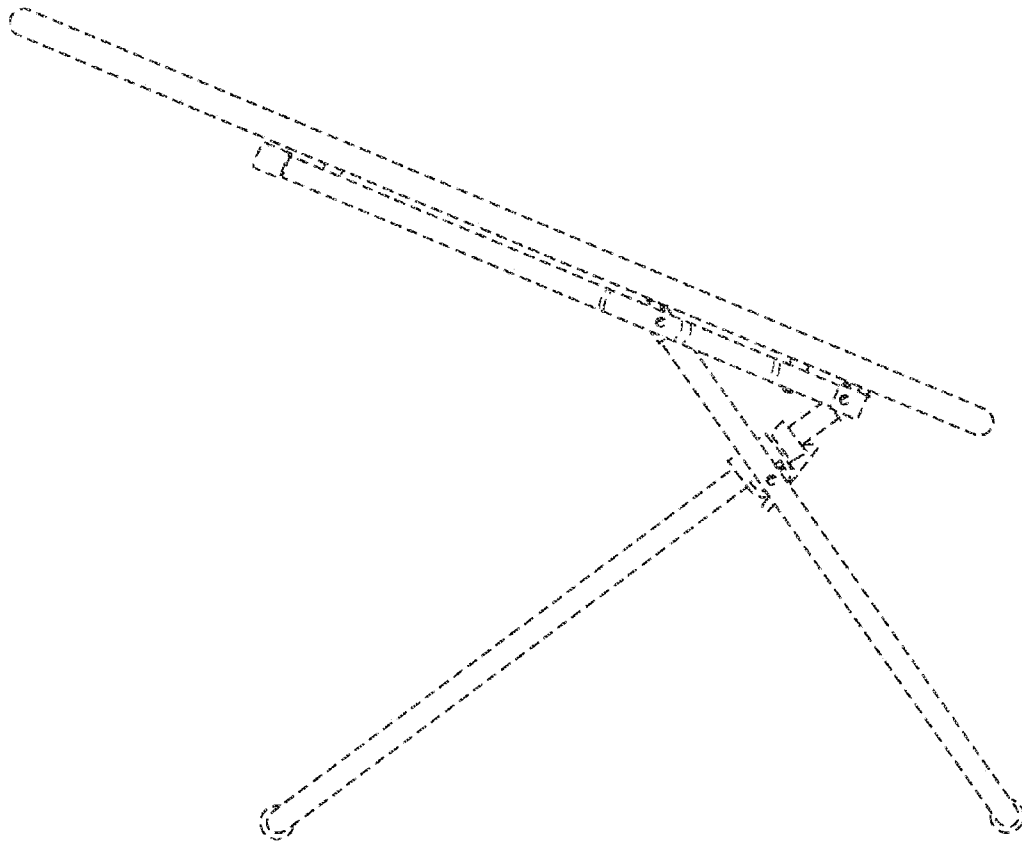


Fig. 6

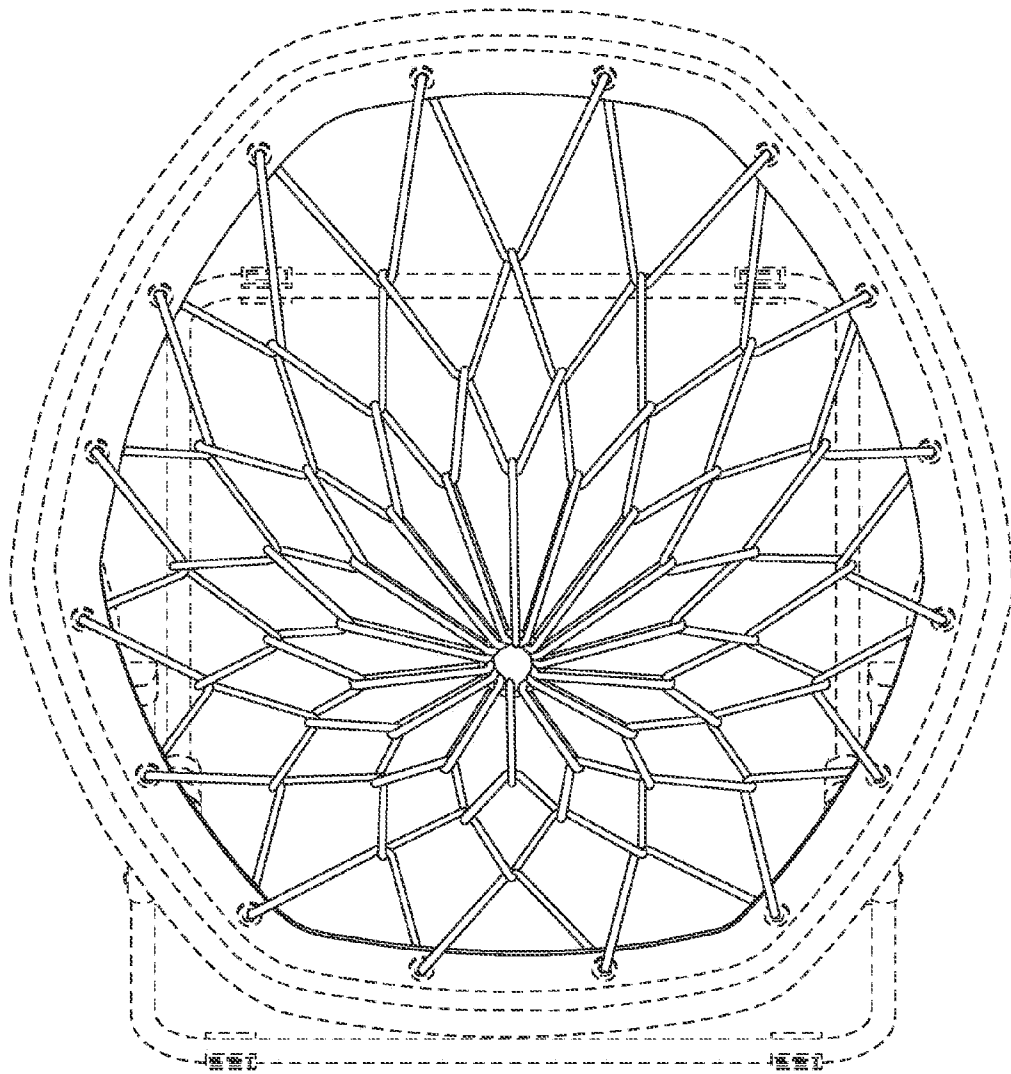


Fig. 7

