



(12) **United States Design Patent**
You

(10) **Patent No.:** **US D948,522 S**
(45) **Date of Patent:** **** Apr. 12, 2022**

- (54) **MONITOR ARM**
- (71) Applicant: **Ningbo Ergovida Health Technology Ltd., Ningbo (CN)**
- (72) Inventor: **Xiaodong You, Ningbo (CN)**
- (73) Assignee: **Ningbo Ergovida Health Technology Ltd., Ningbo (CN)**
- (**) Term: **15 Years**
- (21) Appl. No.: **29/730,398**
- (22) Filed: **Apr. 3, 2020**
- (51) **LOC (13) Cl.** **14-02**
- (52) **U.S. Cl.**
USPC **D14/452; D14/451**
- (58) **Field of Classification Search**
USPC D14/451-452; D8/380, 373, 352, 354,
D8/363, 349; D12/415; D23/304
CPC F16M 11/2085; F16M 11/2092; F16M
11/2007; G06F 1/1616
See application file for complete search history.

D666,207 S *	8/2012	Brandt	D14/452
8,366,060 B2 *	2/2013	Hung	F16M 11/041 248/124.1
D679,282 S *	4/2013	Liu	D14/452
D688,674 S *	8/2013	Lau	D14/452
8,777,172 B2 *	7/2014	Sapper	F16M 11/08 248/274.1
8,931,748 B2 *	1/2015	Bowman	F16M 11/10 248/280.11
D740,830 S *	10/2015	Chu	D14/452
D745,873 S *	12/2015	Xiang	D14/452
D751,566 S *	3/2016	Anderson	D14/452
D762,652 S *	8/2016	Dorre	D14/452
D796,519 S *	9/2017	Hung	D14/452
D805,085 S *	12/2017	Xiang	D14/452

(Continued)

Primary Examiner — Christian P. McLean
Assistant Examiner — Kourosch Taie-Tehrani
(74) *Attorney, Agent, or Firm* — Knobbe Martens Olson & Bear LLP

(57) **CLAIM**

The ornamental design for a monitor arm, as shown and described.

DESCRIPTION

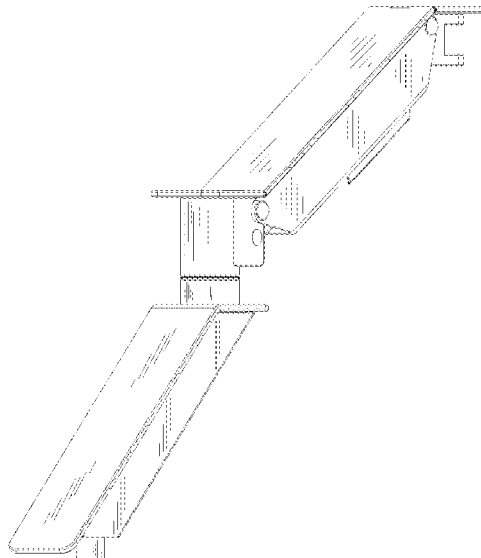
FIG. 1 is a back perspective view of the monitor arm embodying the new design;
FIG. 2 is a front perspective view thereof;
FIG. 3 is a left side view thereof;
FIG. 4 is a right side view thereof;
FIG. 5 is a back view thereof;
FIG. 6 is a front view thereof;
FIG. 7 is a top view thereof; and
FIG. 8 is a bottom view thereof; and,
FIG. 9 is another perspective view thereof, further illustrating monitor and desk attachment mechanisms.
Broken lines are used to illustrate features of the monitor arm that form no part of the claimed design.

1 Claim, 9 Drawing Sheets

(56) **References Cited**

U.S. PATENT DOCUMENTS

6,695,270 B1 *	2/2004	Smed	G06F 1/1601 248/274.1
D555,657 S *	11/2007	Loyd	D14/452
D557,125 S *	12/2007	Worrall	D14/452
7,338,022 B2 *	3/2008	Hung	F16M 11/041 248/278.1
7,389,965 B2 *	6/2008	Oddsens, Jr.	F16M 11/10 248/274.1
D598,917 S *	8/2009	Luber	D14/375
7,694,927 B2 *	4/2010	Chuang	F16M 11/041 248/276.1
D631,052 S *	1/2011	Hung	D14/452
8,070,114 B2 *	12/2011	Chen	F16M 11/14 248/121
D654,503 S *	2/2012	Sapper	D14/452



(56)

References Cited

U.S. PATENT DOCUMENTS

D807,373	S	*	1/2018	Thetard	D14/452
D815,105	S	*	4/2018	Jung	D14/452
D815,643	S	*	4/2018	Bowman	D14/452
D822,671	S	*	7/2018	Chu	D14/452
D830,371	S	*	10/2018	Lau	D14/452
D834,030	S	*	11/2018	Lindo	D14/452
D842,306	S	*	3/2019	Lindo	D14/452
D843,379	S	*	3/2019	Lindo	D14/452
D843,380	S	*	3/2019	Lindo	D14/452
D847,823	S	*	5/2019	Monsalve	D14/452
D848,444	S	*	5/2019	Jung	D14/452
D849,013	S	*	5/2019	Monsalve	D14/452
D877,744	S	*	3/2020	Xiang	D14/452
D896,817	S	*	9/2020	McKay	D14/452
D897,541	S	*	9/2020	Borloz	D24/184
D916,709	S	*	4/2021	Hung	D14/452
D918,218	S	*	5/2021	Lyu	D14/452
D919,631	S	*	5/2021	Shu	D14/452
D920,988	S	*	6/2021	Shu	D14/452
D921,645	S	*	6/2021	Shu	D14/452
D922,364	S	*	6/2021	Shu	D14/239
D922,394	S	*	6/2021	Lu	D14/452
D926,196	S	*	7/2021	Lyu	D14/452
D926,776	S	*	8/2021	You	D14/452
D928,793	S	*	8/2021	Shu	D14/452
2007/0040084	A1	*	2/2007	Sturman	F16M 11/041 248/280.11
2008/0029661	A1	*	2/2008	Chen	F16M 11/105 248/176.1
2011/0303805	A1	*	12/2011	Lau	F16M 11/126 248/125.8
2017/0191607	A1	*	7/2017	Huang	F16M 11/10
2019/0295446	A1	*	9/2019	Hung	F16M 13/02
2020/0063911	A1	*	2/2020	Xiang	F16M 11/10

* cited by examiner

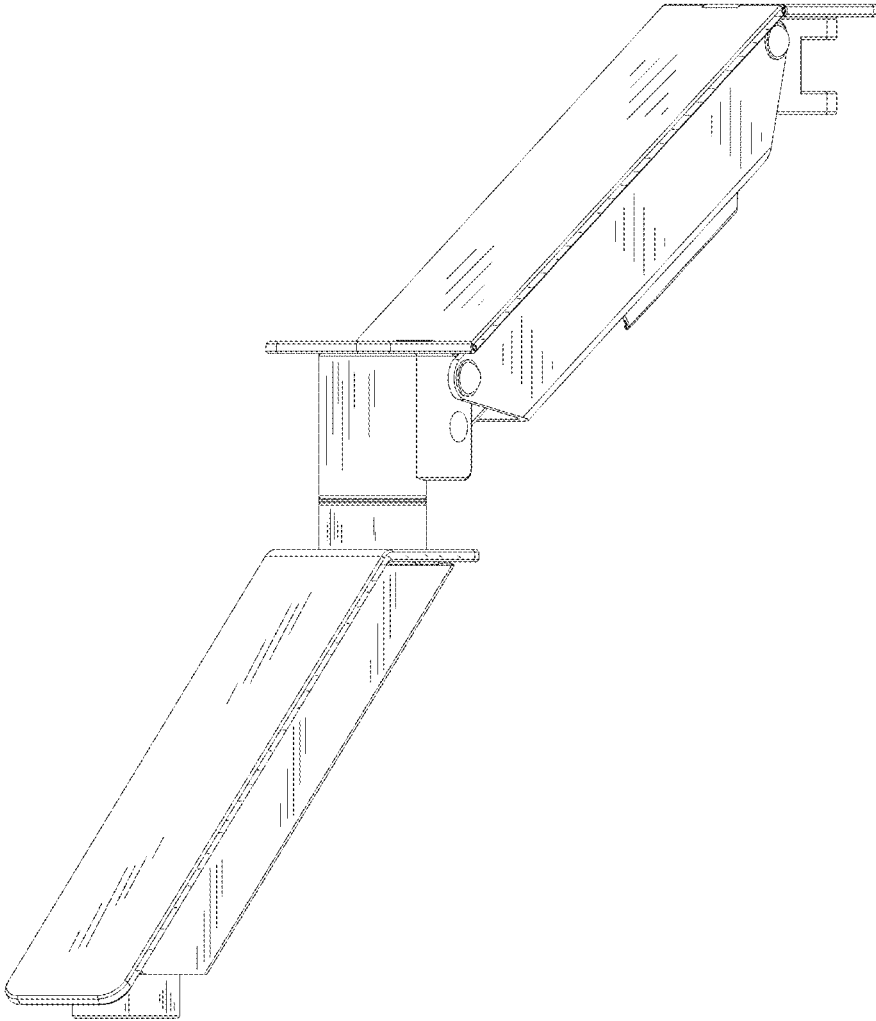


Fig. 1

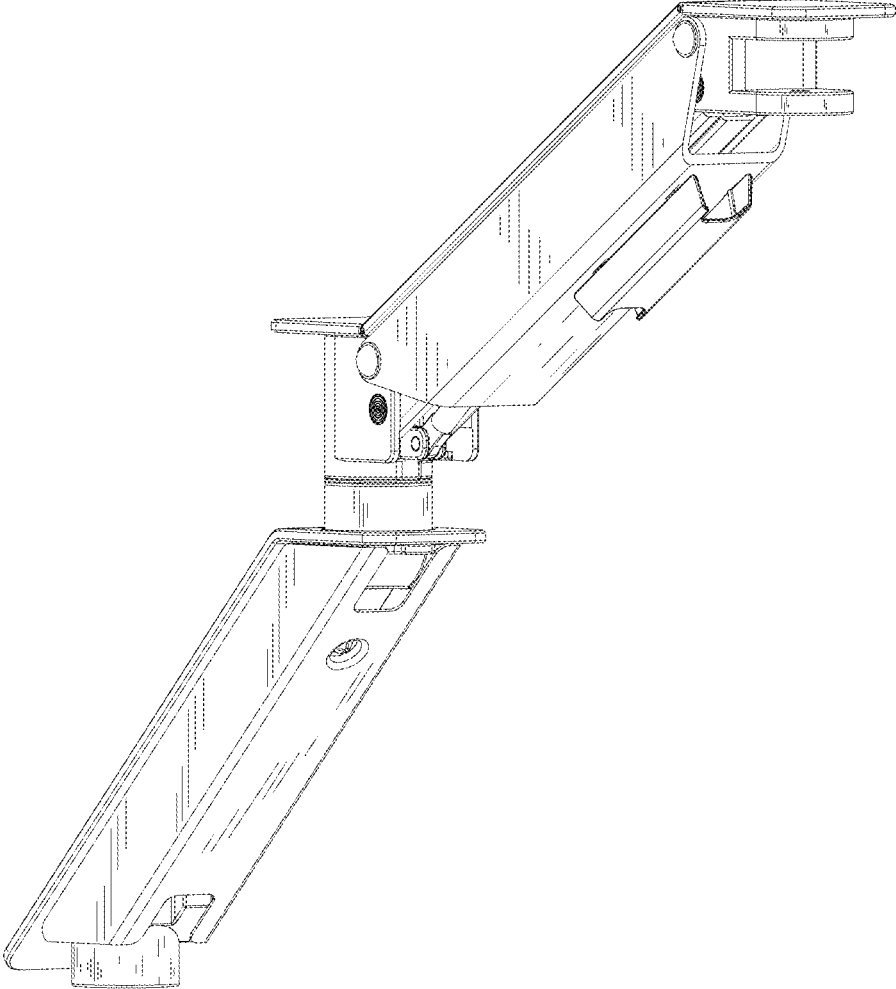


Fig. 2

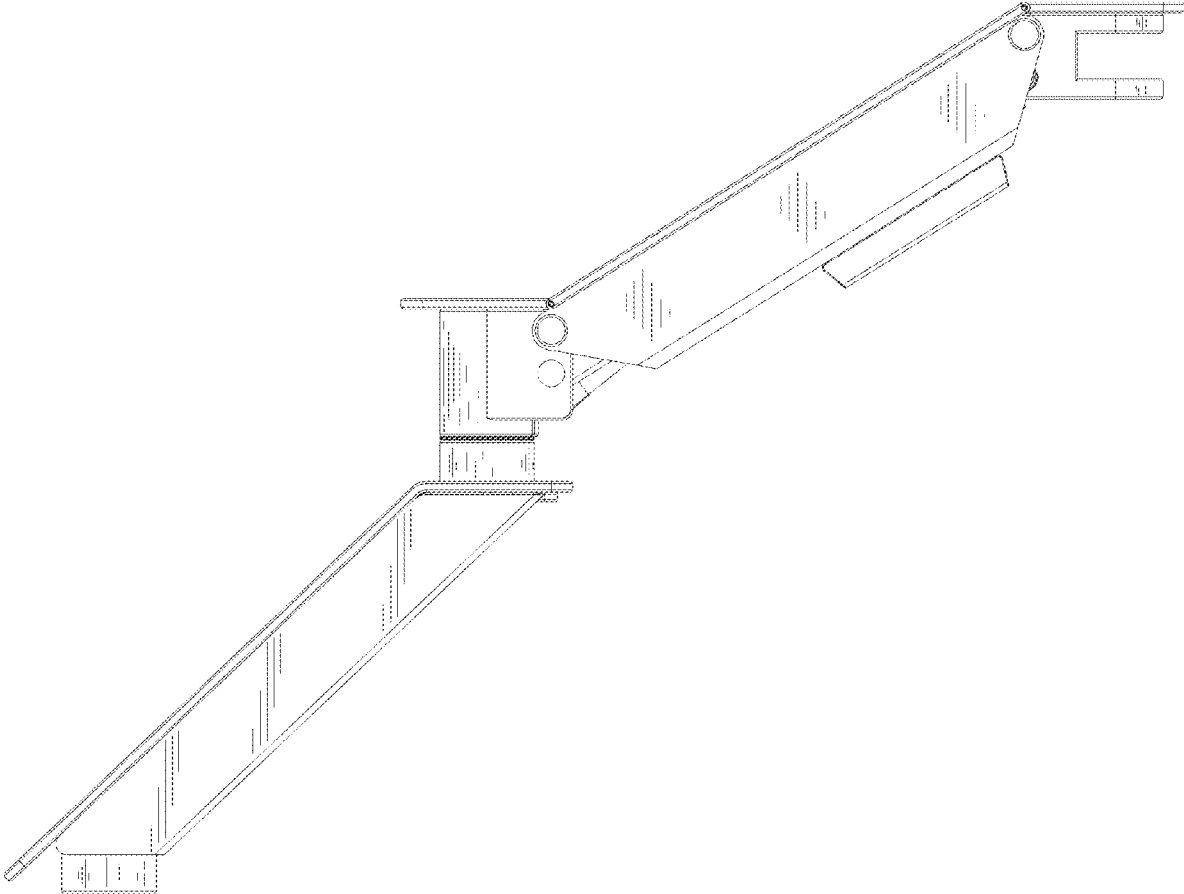


Fig. 3

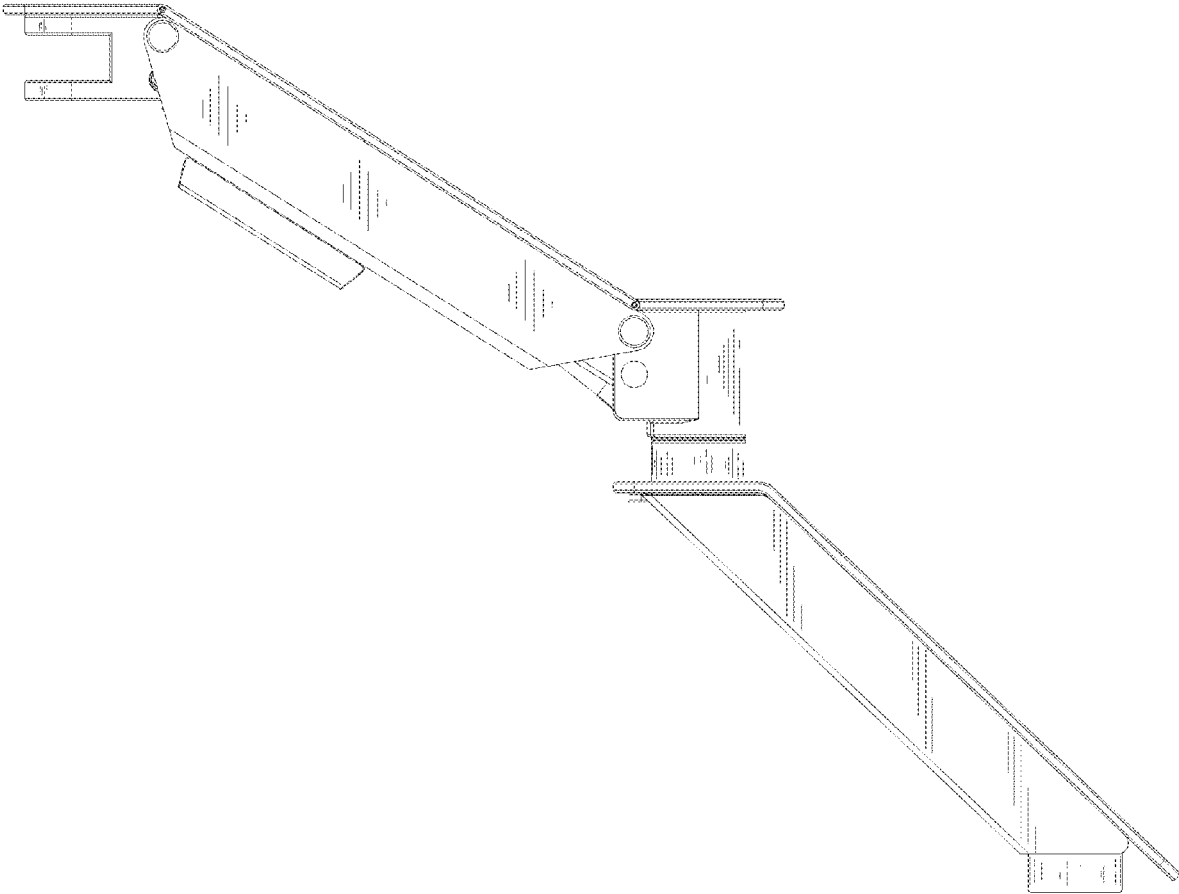


Fig. 4

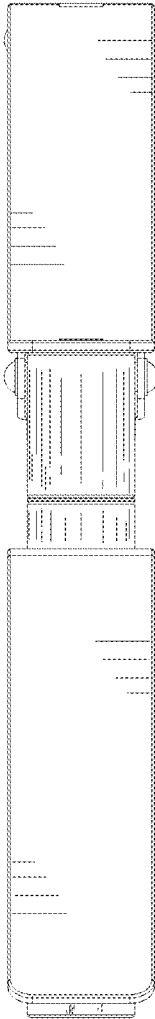


Fig. 5

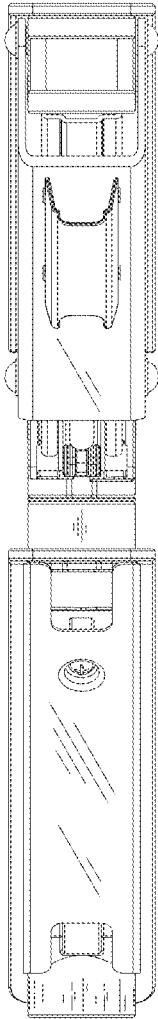


Fig. 6

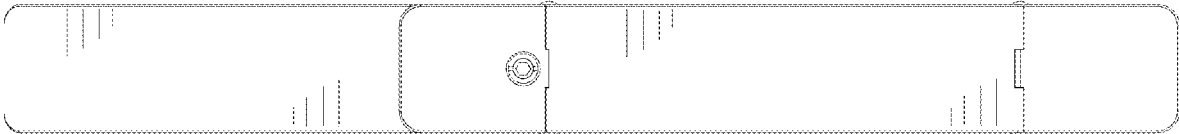


Fig. 7

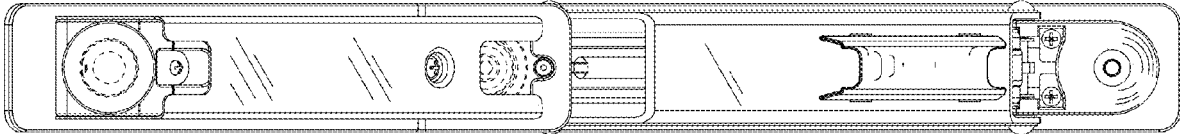


Fig. 8

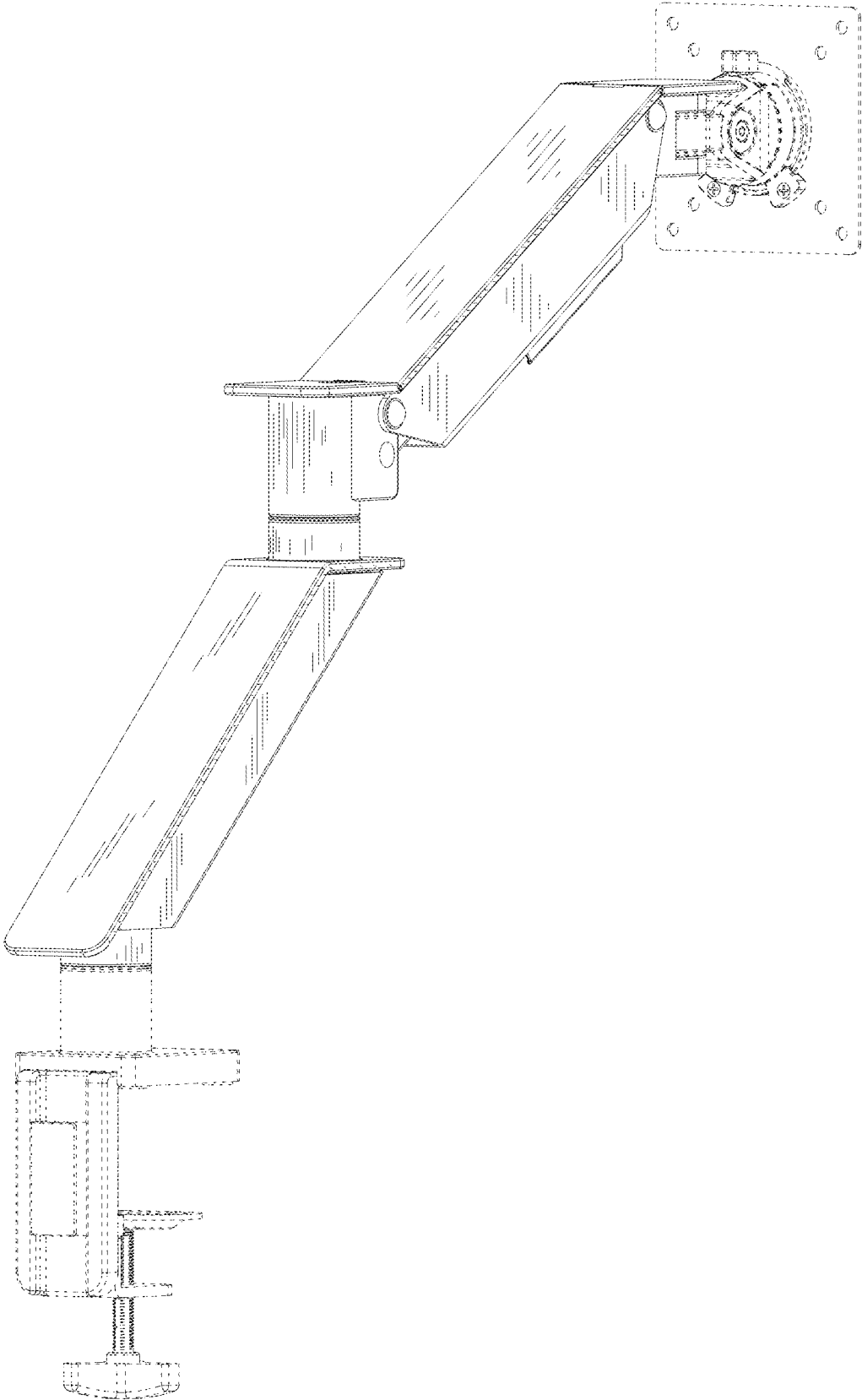


Fig. 9