



US00D886188S

(12) **United States Design Patent** (10) **Patent No.:** **US D886,188 S**
Li et al. (45) **Date of Patent:** **** Jun. 2, 2020**

(54) **PORTABLE PAYMENT MACHINE**
(71) Applicant: **ALIBABA GROUP HOLDING LIMITED**, Grand Cayman (KY)
(72) Inventors: **Xuelong Li**, Hangzhou (CN); **Xinyu Weng**, Hangzhou (CN)
(73) Assignee: **ALIBABA GROUP HOLDING LIMITED**, Georgetown (KY)
(**) Term: **15 Years**

(56) **References Cited**
U.S. PATENT DOCUMENTS
D294,764 S * 3/1988 Fincke D13/164
D321,881 S * 11/1991 Hopewell D14/192
D336,261 S * 6/1993 James D10/106.1
D346,125 S * 4/1994 Cote D10/104.2
D347,584 S * 6/1994 Vogelpohl D10/49
D360,153 S * 7/1995 Chacchia D10/101
D394,405 S * 5/1998 Cummings D10/46
D399,154 S * 10/1998 Proctor D10/104.1
D407,985 S * 4/1999 Pimentel D10/104.2
D416,492 S * 11/1999 Peters D10/126
(Continued)

(21) Appl. No.: **29/677,637**

FOREIGN PATENT DOCUMENTS

(22) Filed: **Jan. 22, 2019**

JP 1583285 S 8/2017
JP 1637694 S 7/2019

(30) **Foreign Application Priority Data**

OTHER PUBLICATIONS

Jul. 25, 2018 (CN) 2018 3 0405026

Office Action for Japanese Application No. 2019-001406 dated Oct. 29, 2019 (1 page).

Primary Examiner — Marie D. Fast Horse

(51) **LOC (12) Cl.** **18-01**

(52) **U.S. Cl.**
USPC **D18/4.4**

(57) **CLAIM**

(58) **Field of Classification Search**

The ornamental design for a portable payment machine, as shown and described.

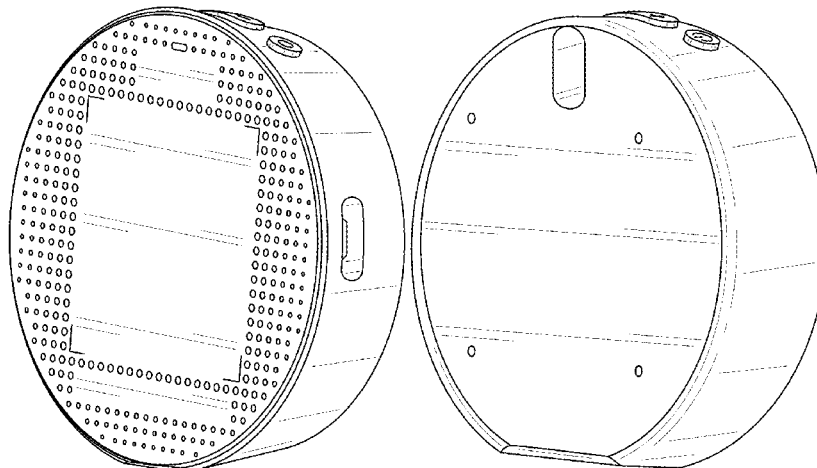
USPC D18/4.4, 4.5, 4.6, 2, 11, 14, 19–21, 50, D18/54, 99, 3.1; D14/307, 336, 371, D14/374, 383, 385, 386, 496, 126, 129, D14/299, 300, 301, 302, 303, 304, 314, D14/338, 339, 356, 357, 388, 421, 133, D14/440, 507, 137, 138 R, 138 AA, D14/138 G, 900, 901, 902; D20/1, 8, 9; D99/34, 43
CPC G06Q 20/00; G06Q 20/08; G06Q 20/20; G06Q 20/40; G06Q 20/204; G06Q 20/341; G07F 7/0873; G07F 7/088; G07G 1/0009; G07G 1/0018; G07G 1/0036; G07G 1/14; G07G 1/00; F16M 11/10; F16M 11/22; H04W 8/22; H04W 52/0225; H04W 52/0254

DESCRIPTION

FIG. 1 is a front view showing a portable payment machine showing my new design;
FIG. 2 is a rear view thereof;
FIG. 3 is a left-side view thereof;
FIG. 4 is a right-side view thereof;
FIG. 5 is a top view thereof;
FIG. 6 is a bottom view thereof;
FIG. 7 is a front-right perspective view thereof; and,
FIG. 8 is a rear-left perspective view thereof.

See application file for complete search history.

(Continued)



The broken lines in FIGS. 1-8 illustrate portions of the portable payment machine that are not part of the claimed design.

1 Claim, 5 Drawing Sheets

(56)

References Cited

U.S. PATENT DOCUMENTS

D417,465 S *	12/1999	Kreitz	D14/192
D428,444 S *	7/2000	McGarrah	D20/8
D431,114 S *	9/2000	Smith	D21/710
D435,547 S *	12/2000	Reed	D14/250
D435,597 S *	12/2000	Febish	D20/10
D437,890 S *	2/2001	McGarrah	D20/8
D438,847 S *	3/2001	Hasegawa	D14/412
D451,417 S *	12/2001	Simu-Brown	D10/106.1
D462,957 S *	9/2002	Ekelund	D14/336
D477,030 S *	7/2003	Kolls	D20/8
D477,321 S *	7/2003	Baughman	D14/385
D477,451 S *	7/2003	Dupe	D99/34
D490,840 S *	6/2004	Arakaki	D18/12
D493,939 S *	8/2004	Baumhogger	D99/34
D496,668 S *	9/2004	Huang	D14/203.6
D504,074 S *	4/2005	Tsujimura	D10/46
D506,404 S *	6/2005	Kaczmarek	D10/104.1
D506,693 S *	6/2005	Kaczmarek	D10/104.1
D507,657 S *	7/2005	Neel	D10/102
D511,116 S *	11/2005	Kelly, Jr.	D10/106.1
D511,985 S *	11/2005	Kelly, Jr.	D10/106.1
D512,406 S *	12/2005	Shimizu	D14/167
D512,898 S *	12/2005	Metivier	D10/106.1
D515,957 S *	2/2006	Dueker	D10/109.1
D528,146 S *	9/2006	Fitch	D14/336
D530,523 S *	10/2006	Pitot	D6/308
D536,368 S *	2/2007	Christian	D18/35
D542,791 S *	5/2007	Fitch	D14/385
D553,669 S *	10/2007	Henry	D18/4.6
D560,219 S *	1/2008	Yamakawa	D14/385
D561,904 S *	2/2008	Neel	D24/216
D564,014 S *	3/2008	Spence	D18/4.6
D569,866 S *	5/2008	Turpault	D14/385
D570,348 S *	6/2008	Turpault	D14/385
D577,357 S *	9/2008	Poandl	D14/216
D586,346 S *	2/2009	Robinson	D14/383
D591,291 S *	4/2009	Robinson	D14/383
D594,851 S *	6/2009	Dai	D14/218
D597,514 S *	8/2009	Gencarella	D14/138 AC
D619,117 S *	7/2010	Unruh	D14/203.6
D624,518 S *	9/2010	Li	D14/138 AB
D630,313 S *	1/2011	Pidgeon	D24/108
D637,189 S *	5/2011	Hemming	D14/385
D671,118 S *	11/2012	Wesolek	D14/385
D675,616 S *	2/2013	Ahmed	D14/385
D688,965 S *	9/2013	Hutchins	D10/104.1
D701,860 S *	4/2014	Daniel	D14/307
D705,103 S *	5/2014	Leasure	D10/101
D708,339 S *	7/2014	McGarry	D24/177
D718,234 S *	11/2014	Rautiainen	D13/108
D720,289 S *	12/2014	Chiang	D13/108
D725,285 S *	3/2015	Wohlstadter	D14/336
D725,524 S *	3/2015	Takach	D10/103
D726,156 S *	4/2015	Gillespie-Brown	D14/216
D726,672 S *	4/2015	Olodort	D14/138 G
D735,131 S *	7/2015	Akana	D13/108
D738,246 S *	9/2015	McDonald	D10/104.1
D738,858 S *	9/2015	Tuhkanen	D14/218
D751,538 S *	3/2016	Koehler	D14/240
D752,588 S *	3/2016	Li	D14/385
D760,221 S *	6/2016	Maruyama	D14/357
D766,844 S *	9/2016	Turksu	D10/104.1
D768,631 S *	10/2016	Epstein	D14/388
D769,143 S *	10/2016	Warren	D10/106.1
D783,422 S *	4/2017	Kashimoto	D10/50
D784,259 S *	4/2017	Huang	D13/108
D785,527 S *	5/2017	Nathan	D12/193
D786,193 S *	5/2017	Akana	D13/108
D786,723 S *	5/2017	Christie	D10/96
D786,724 S *	5/2017	Seagle, Jr.	D10/106.1
D792,220 S *	7/2017	Simons	D7/396.2
D792,468 S *	7/2017	Langhammer	D14/203.3
D794,711 S *	8/2017	Lazar	D20/10
D796,355 S *	9/2017	Cho	D10/70
D796,433 S *	9/2017	Langhammer	D13/108
D804,306 S *	12/2017	Simons	D9/454
D807,867 S *	1/2018	Kato	D14/240
D808,958 S *	1/2018	Ha	D14/341
D815,149 S *	4/2018	Langhammer	D14/496
D820,238 S *	6/2018	Boshernitzan	D14/218
D820,318 S *	6/2018	Mullins	D14/496
D827,456 S *	9/2018	Seum	D10/56
D829,242 S *	9/2018	Laine	D14/496
D829,714 S *	10/2018	Robinson	D14/356
D830,858 S *	10/2018	Rogers	D10/41
D835,070 S *	12/2018	DePasquale	D14/216
D848,398 S *	5/2019	Huang	D14/216
D854,950 S *	7/2019	Seum	D10/53
D865,768 S *	11/2019	Du	D14/434
D865,859 S *	11/2019	Ben Avi	D18/4.4
2003/0132293 A1 *	7/2003	Fitch	G06F 1/18 235/383
2016/0148457 A1 *	5/2016	Carrillo	G07F 7/1033 235/435

* cited by examiner

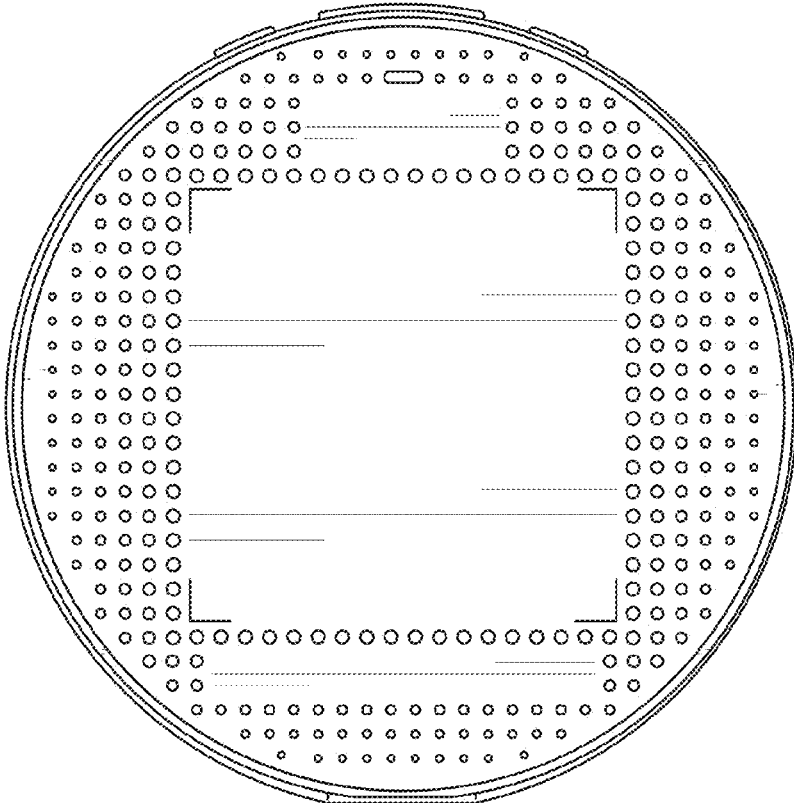


FIG. 1

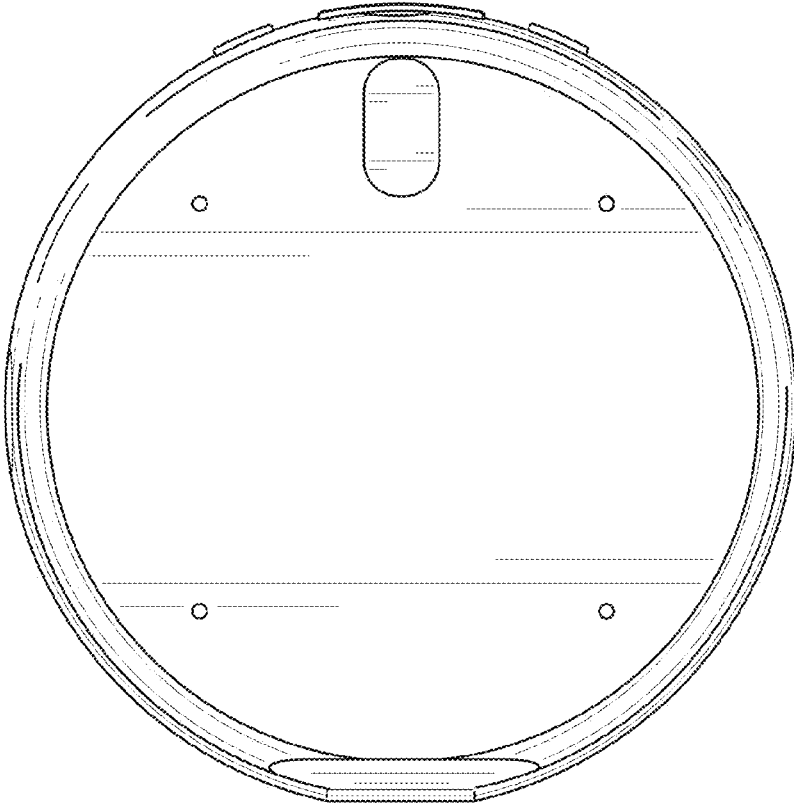


FIG. 2

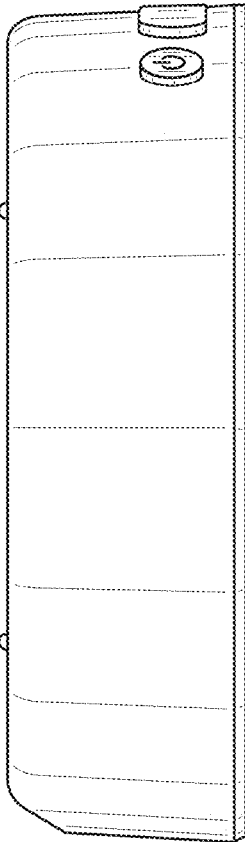


FIG. 3

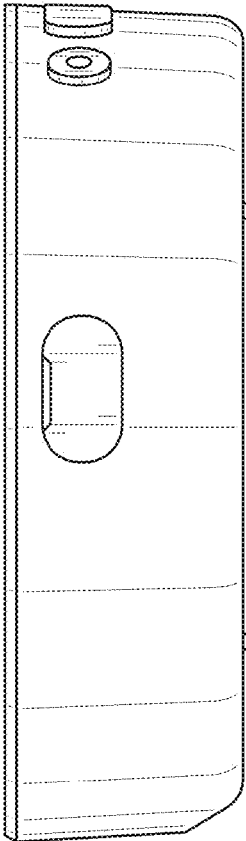


FIG. 4

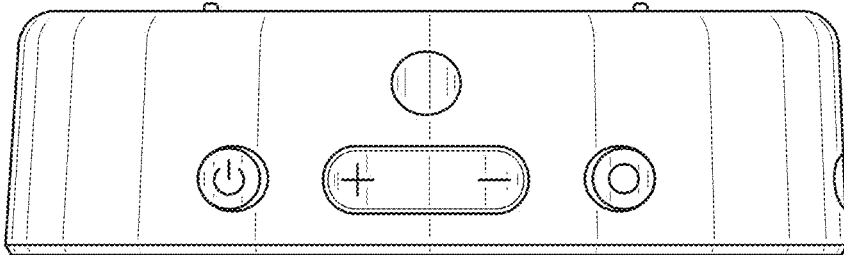


FIG. 5

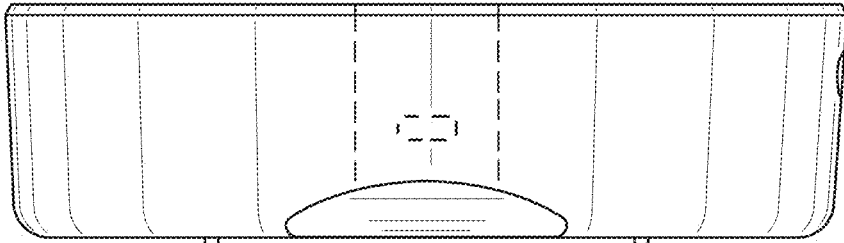


FIG. 6

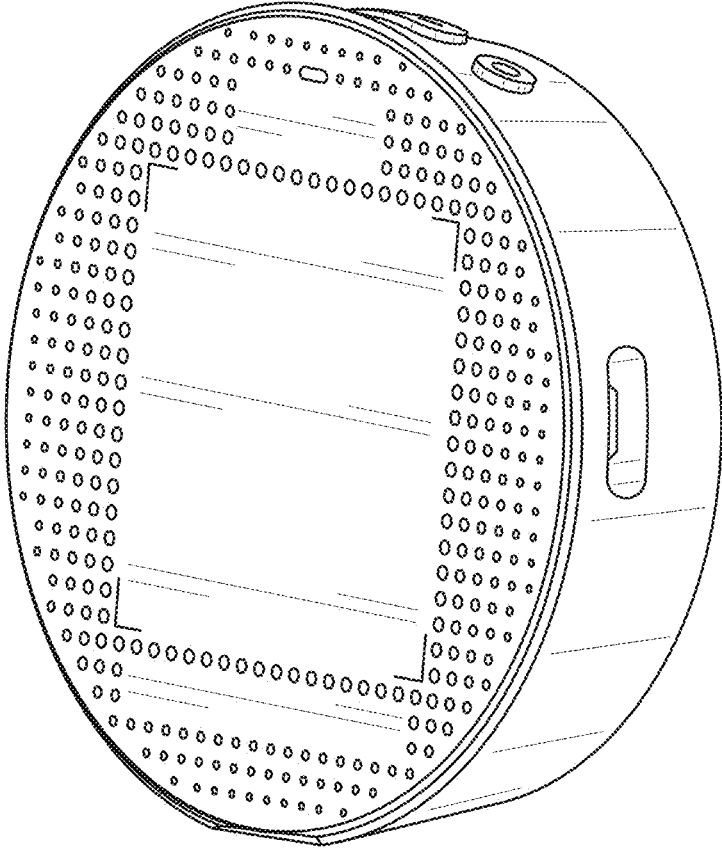


FIG. 7

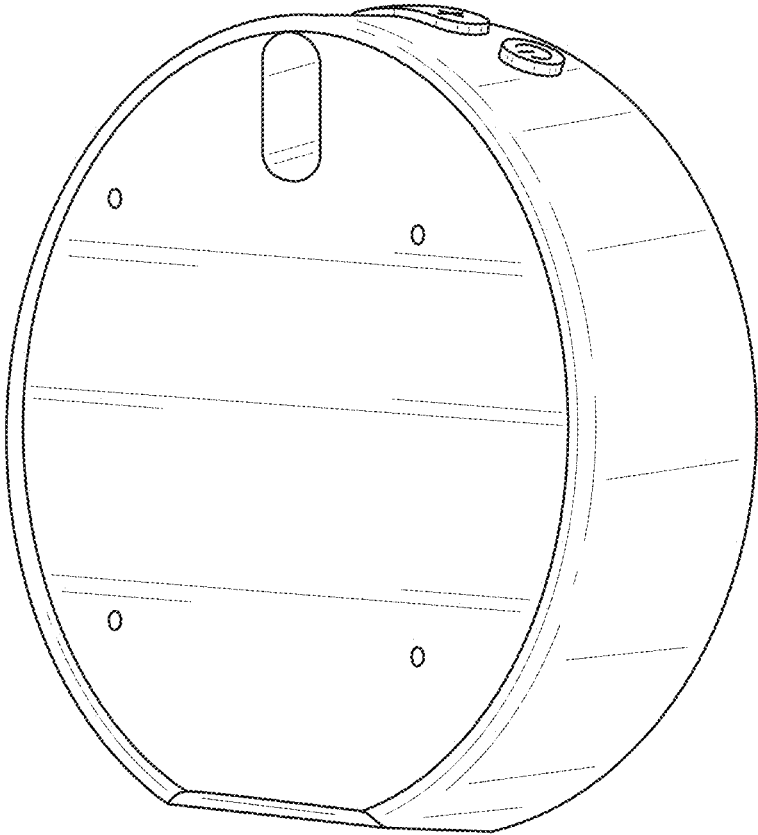


FIG. 8