



US00D426239S

**United States Patent** [19]  
**Adachi**

[11] **Patent Number: Des. 426,239**

[45] **Date of Patent: \*\* Jun. 6, 2000**

[54] **IMAGE SCANNER**

D. 411,833 7/1999 Iwakawa et al. .... D14/107  
5,999,215 12/1999 Tamura .

[75] Inventor: **Tomoyuki Adachi**, Konan, Japan

*Primary Examiner*—M. H. Tung  
*Attorney, Agent, or Firm*—Koda & Androlia

[73] Assignee: **Elmo Co., Ltd.**, Aichi, Japan

[\*\*] Term: **14 Years**

[57] **CLAIM**

[21] Appl. No.: **29/096,967**

The ornamental design for an image scanner, as shown and described.

[22] Filed: **Nov. 24, 1998**

**DESCRIPTION**

[30] **Foreign Application Priority Data**

May 29, 1998 [JP] Japan ..... 10-15458

FIG. 1 is a front elevational view of an image scanner showing my new design;

[51] **LOC (7) Cl.** ..... **14-02**

FIG. 2 is a rear elevational view thereof;

[52] **U.S. Cl.** ..... **D14/420**

FIG. 3 is a top plan view thereof;

[58] **Field of Search** ..... D14/107, 114,  
D14/116; 235/454, 470, 476; 355/81, 64-5;  
358/486; 348/335, 345, 224-5

FIG. 4 is a bottom plan view thereof;

FIG. 5 is a right side elevational view thereof;

FIG. 6 is a left side elevational view thereof; and

FIG. 7 is a perspective view taken from the front, top and right side of the image scanner;

[56] **References Cited**

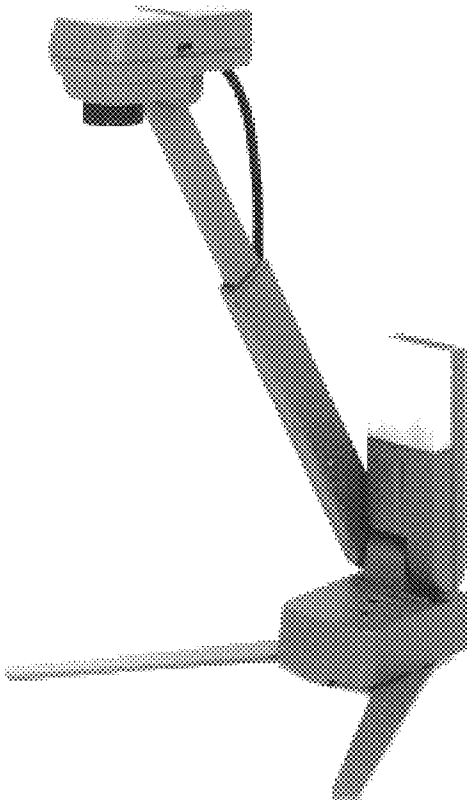
**U.S. PATENT DOCUMENTS**

D. 352,502	11/1994	Hasegawa	.....	D14/107
D. 364,852	12/1995	Park	.....	D14/107
D. 376,139	12/1996	Hasegawa	.....	D14/107
D. 384,653	10/1997	Hasegawa	.....	D14/107
D. 386,157	11/1997	Hasegawa	.....	D14/107
D. 399,192	10/1998	Hasegawa	.....	D14/107

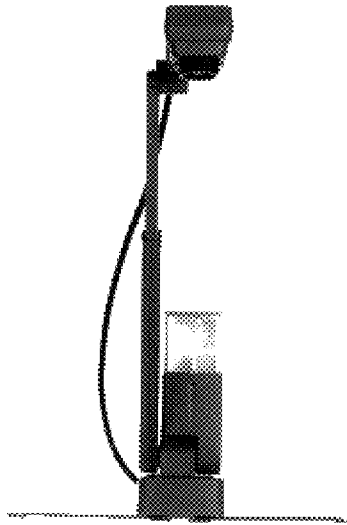
FIG. 8 is a perspective view taken from the front, top, and right side of the image scanner, the supporting arm is shown shortened; and,

FIG. 9 is a perspective view taken from the front, top, and right side of the image scanner, the scanner is shown in the folded position.

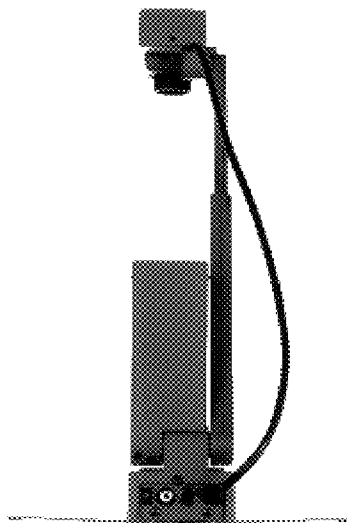
**1 Claim, 5 Drawing Sheets**



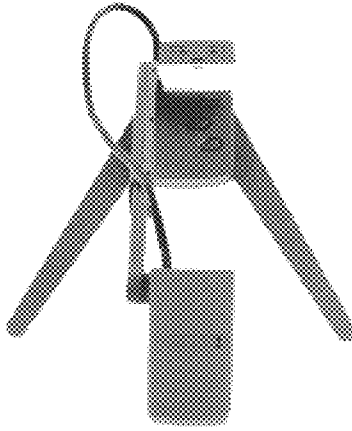
F i g . 1



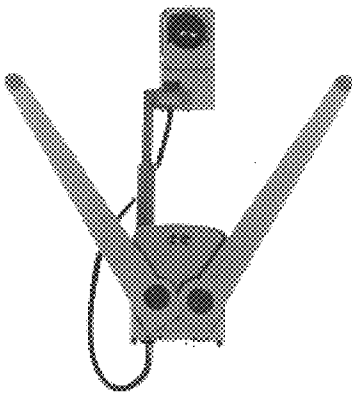
F i g . 2



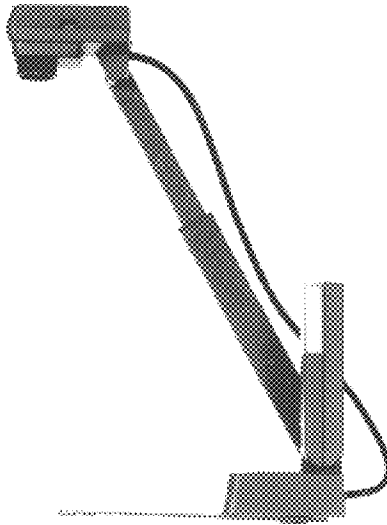
F i g . 3



F i g . 4



F i g . 5



F i g . 6

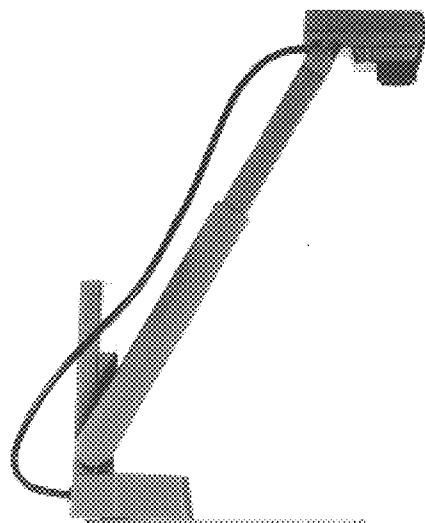


Fig. 7

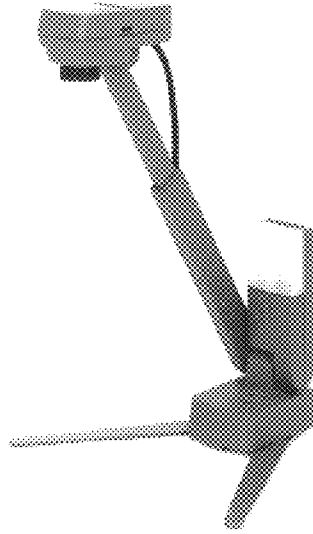
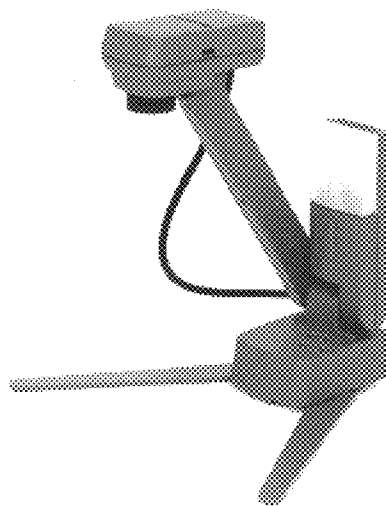


Fig. 8



F i g . 9

