



US00D720483S

(12) **United States Design Patent**
Saddig

(10) **Patent No.:** **US D720,483 S**

(45) **Date of Patent:** **** Dec. 30, 2014**

(54) **AUTOMOBILE LIGHTING UNIT HOUSING**

(71) Applicant: **Lux Design LLC**, North Haven, CT (US)

(72) Inventor: **Marc D. Saddig**, North Haven, CT (US)

(73) Assignee: **Lux Design LLC**, North Haven, CT (US)

(**) Term: **14 Years**

(21) Appl. No.: **29/448,157**

(22) Filed: **Mar. 11, 2013**

(51) **LOC (10) Cl.** **26-06**

(52) **U.S. Cl.**
USPC **D26/28**

(58) **Field of Classification Search**
USPC D26/28-36; 362/459-468, 475-478, 362/485-487

See application file for complete search history.

(56) **References Cited**

U.S. PATENT DOCUMENTS

- D547,889 S * 7/2007 Huang D26/28
- D570,012 S * 5/2008 Huang D26/28
- D578,678 S * 10/2008 Huang D26/28

- D592,778 S * 5/2009 Chang D26/28
- D606,682 S * 12/2009 Chang D26/28
- D645,177 S * 9/2011 Okuda D26/28
- D662,632 S * 6/2012 Wilson D26/28

* cited by examiner

Primary Examiner — Marcus Jackson

(74) *Attorney, Agent, or Firm* — Ware, Fressola, Maguire & Barber

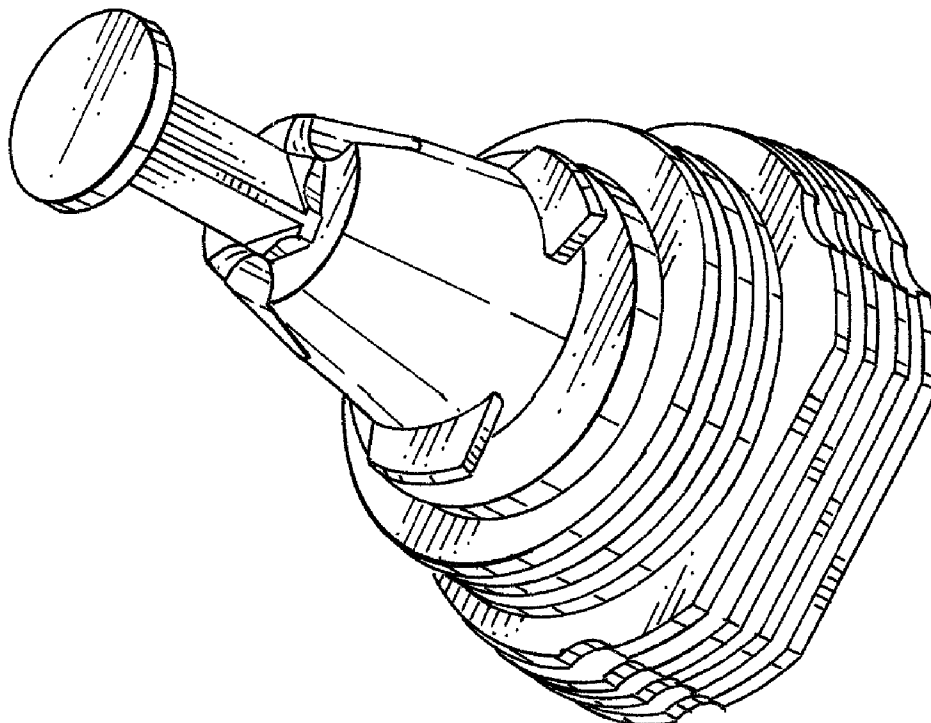
(57) **CLAIM**

The ornamental design for an automobile lighting unit housing, as shown and described.

DESCRIPTION

FIG. 1 is a perspective view of the automobile lighting unit housing;
 FIG. 2 is a front view of the automobile lighting unit housing;
 FIG. 3 is a rear view of the automobile lighting unit housing;
 FIG. 4 is a left side view of the automobile lighting unit housing;
 FIG. 5 is a right side view of the automobile lighting unit housing;
 FIG. 6 is a top view of the automobile lighting unit housing;
 and,
 FIG. 7 is a bottom view of the automobile lighting unit housing.

1 Claim, 4 Drawing Sheets



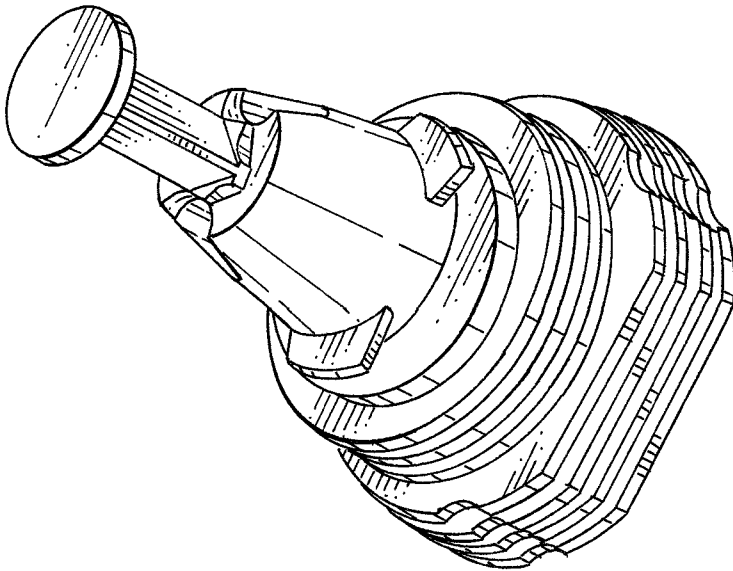


FIG. 1

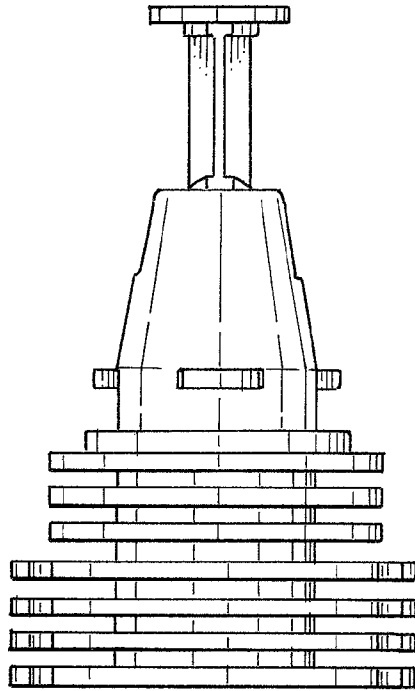


FIG. 2

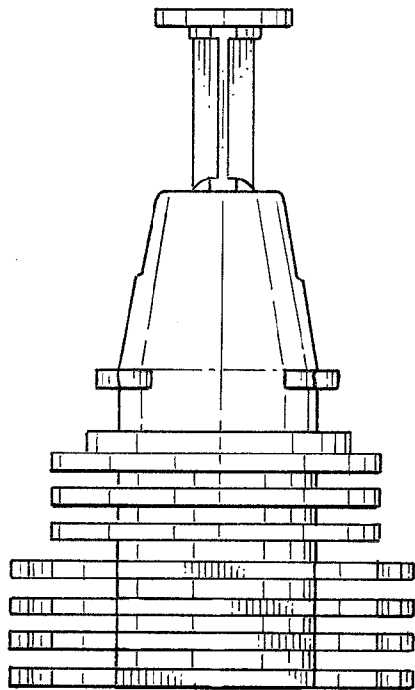


FIG. 3

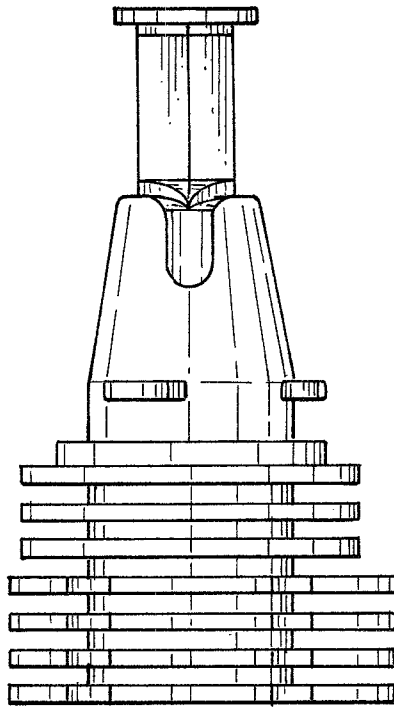


FIG. 4

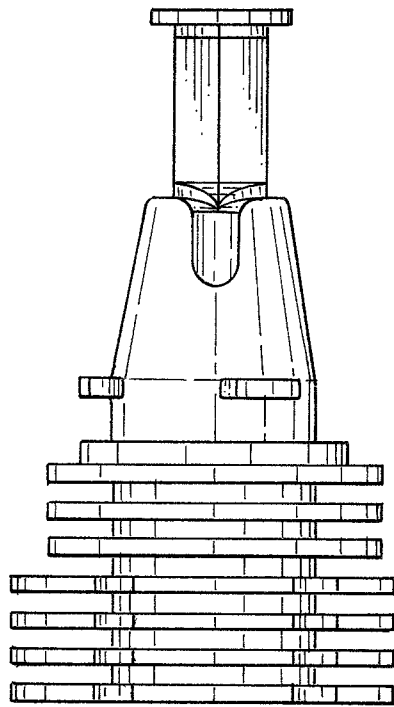


FIG. 5

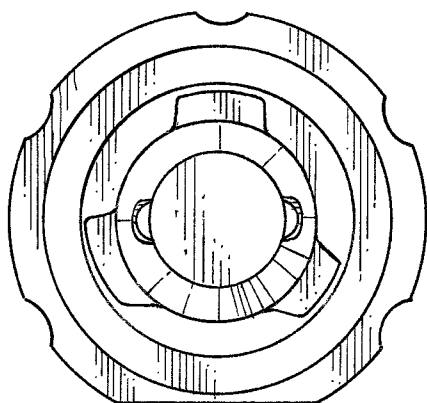


FIG. 6

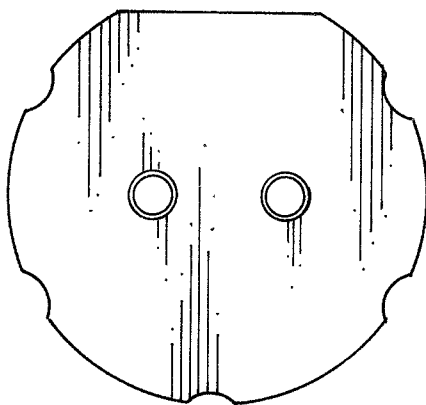


FIG. 7