

(19) World Intellectual Property Organization
International Bureau



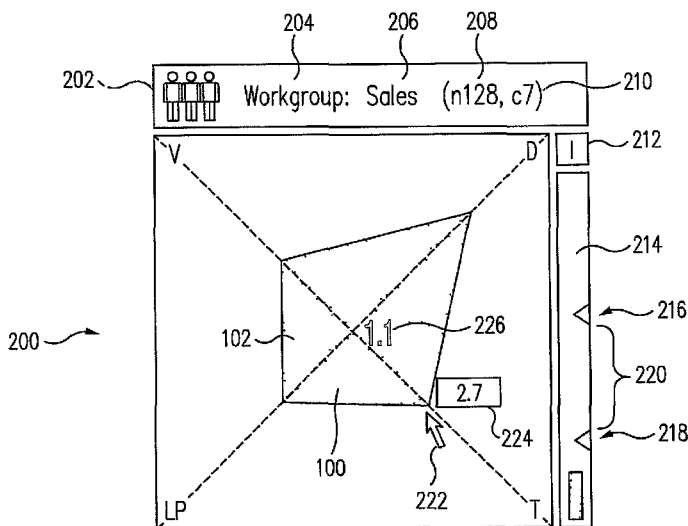
(43) International Publication Date
11 January 2007 (11.01.2007)

PCT

(10) International Publication Number
WO 2007/005638 A3

- (51) **International Patent Classification:**
G06T 15/50 (2006 01)
 - (21) **International Application Number:**
PCT/US2006/025644
 - (22) **International Filing Date:** 30 June 2006 (30 06 2006)
 - (25) **Filing Language:** English
 - (26) **Publication Language:** English
 - (30) **Priority Data:**
60/695,960 1 July 2005 (01 07 2005) US
11/477,270 29 June 2006 (29 06 2006) US
 - (71) **Applicant (for all designated States except US):** eEYE DIGITAL SECURITY [US/US], 1 Columbia, Suite 100, Ahsso Viejo, California 92656 (US)
 - (72) **Inventor; and**
 - (75) **Inventor/Applicant (for US only):** BUSHNAQ, Firas [US/US], 554 Mystic Lane, Laguna Beach, California 92651 (US)
 - (74) **Agent:** COUSINS, Clifford G., MACPHERSON KWOK CHEN & HEID LLP, 2033 Gateway Place, Suite 400, San Jose, California 95110 (US)
 - (81) **Designated States (unless otherwise indicated, for every kind of national protection available):** AE, AG, AL, AM, AT, AU, AZ, BA, BB, BG, BR, BW, BY, BZ, CA, CH, CN, CO, CR, CU, CZ, DE, DK, DM, DZ, EC, EE, EG, ES, FI, GB, GD, GE, GH, GM, HN, HR, HU, ID, IL, IN, IS, JP, KE, KG, KM, KN, KP, KR, KZ, LA, LC, LK, LR, LS, LT, LU, LV, LY, MA, MD, MG, MK, MN, MW, MX, MZ, NA, NG, NI, NO, NZ, OM, PG, PH, PL, PT, RO, RS, RU, SC, SD, SE, SG, SK, SL, SM, SY, TJ, TM, TN, TR, TT, TZ, UA, UG, US, UZ, VC, VN, ZA, ZM, ZW
 - (84) **Designated States (unless otherwise indicated, for every kind of regional protection available):** ARIPO (BW, GH, GM, KE, LS, MW, MZ, NA, SD, SL, SZ, TZ, UG, ZM, ZW), Eurasian (AM, AZ, BY, KG, KZ, MD, RU, TJ, TM), European (AT, BE, BG, CH, CY, CZ, DE, DK, EE, ES, FI, FR, GB, GR, HU, IE, IS, IT, LT, LU, LV, MC, NL, PL, PT, RO, SE, SI, SK, TR), OAPI (BF, BJ, CF, CG, CI, CM, GA, GN, GQ, GW, ML, MR, NE, SN, TD, TG)
- Published:**
— with international search report
- (88) Date of publication of the international search report:**
14 February 2008

(54) **Title:** NETWORK ASSET SECURITY RISK SURFACE ASSESSMENT APPARATUS AND METHOD



(57) **Abstract:** In accordance with at least one embodiment of the present invention, a method of computing a risk surface vector, comprises the operations of gathering raw assessments, forming single assessments, creating asset values, scaling by asset values, calculating higher-level assessment formulas per asset, creating asset-value weighted averages for aggregate groups, and calculating a final high-level risk surface value

WO 2007/005638 A3

INTERNATIONAL SEARCH REPORT

International application No.

PCT/US06/25644

A. CLASSIFICATION OF SUBJECT MATTER

IPC: **G06T 15/50**

USPC: 345/418-428

According to International Patent Classification (IPC) or to both national classification and IPC

B. FIELDS SEARCHED

Minimum documentation searched (classification system followed by classification symbols)
U.S. : 345/418-428

Documentation searched other than minimum documentation to the extent that such documents are included in the fields searched

Electronic data base consulted during the international search (name of data base and, where practicable, search terms used)

C. DOCUMENTS CONSIDERED TO BE RELEVANT

Category *	Citation of document, with indication, where appropriate, of the relevant passages	Relevant to claim No.
X	US 2003/0212909 A1 (CHANDRASHEKHAR et al) 13 November 2003; Figures 1-8; Paragraph 0017-0098.	1-20

 Further documents are listed in the continuation of Box C.**D**

See patent family annex

• Special categories of cited documents

"A"	document defining the general state of the art which is not considered to be of particular relevance	"t"	later document published after the international filing date or priority date and not in conflict with the application but cited to understand the principle or theory underlying the invention
"E"	earlier application or patent published on or after the international filing date	"X"	document of particular relevance, the claimed invention cannot be considered novel or cannot be considered to involve an inventive step when the <i>document</i> is taken alone
"L"	document which may throw doubts on priority claim(s) or which is cited to establish the publication date of another citation or other special reason (as specified)	"Y"	document of particular relevance, the claimed invention cannot be considered to involve an inventive step when the document is combined with one or more other such documents, such-combination being obvious to a person skilled in the art
"O"	document referring to an oral disclosure, use, exhibition or other means	"&"	document member of the same patent family
"P"	document published prior to the international filing date but later than the priority date claimed		

Date of the actual completion of the international search

12 September 2007 (12.09.2007)

Date of mailing of the international search report

Authorized officer

VJAY SHANKAR

Telephone No. 571-272-7682

Name and mailing address of the ISA/US

Mail Stop PCT, Attn ISA/US
Commissioner for Patents
PO Box 1450
Alexandria, Virginia 22313-1450

Facsimile No (571) 273-3201