



US00D361379S

# United States Patent [19]

[11] Patent Number: **Des. 361,379**

Sancoff et al.

[45] Date of Patent: **\*\* Aug. 15, 1995**

- [54] **INFUSION PUMP**
- [75] Inventors: **Gregory E. Sancoff**, Rancho Sante Fe; **Mark C. Doyle**, San Diego; **Frederic P. Field**, Solana Beach, all of Calif.
- [73] Assignee: **River Medical, Inc.**, San Diego, Calif.
- [\*\*] Term: **14 Years**
- [21] Appl. No.: **15,663**
- [22] Filed: **Nov. 23, 1993**

- 4,237,881 12/1980 Beigler et al. .
- 4,379,453 4/1983 Baron .
- 4,507,116 3/1985 Leibinsohn .
- 4,614,515 9/1986 Tripp et al. .
- 4,675,020 6/1987 McPhee .
- 4,784,652 11/1988 Wikstrom .
- 4,898,209 2/1990 Zbed .
- 4,902,278 2/1990 Maget et al. .
- 4,923,095 5/1990 Dorfman et al. .
- 5,080,652 1/1992 Sancoff et al. .
- 5,090,963 2/1992 Gross et al. .... 604/132
- 5,106,374 4/1992 Apperson et al. .
- 5,242,406 9/1993 Gross et al. .... 604/132
- 5,306,257 4/1994 Zoeb ..... 604/131
- 5,328,464 7/1994 Kriesel et al. .... 604/247 X
- 5,354,278 10/1994 Kriesel ..... 604/132

### Related U.S. Application Data

- [63] Continuation-in-part of Ser. No. 105,327, Aug. 6, 1993, Pat. No. 5,398,851, and a continuation-in-part of Ser. No. 105,284, Aug. 6, 1993, Pat. No. 5,397,303.
- [52] U.S. Cl. .... **D24/111**; D24/129; D24/162
- [58] Field of Search ..... D24/111, 108, 115, 121, D24/224, 162; 128/DIG. 13, DIG. 12; 604/140, 141, 142, 143, 153, 151, 150, 23, 83, 131, 82, 123, 132

### References Cited

#### U.S. PATENT DOCUMENTS

- Re. 24,918 1/1961 Mills .
- D. 324,911 3/1992 Sancoff et al. .... D24/111
- D. 339,193 9/1993 Thompson et al. .... D24/111
- 1,731,767 10/1929 Cramer .
- 2,815,152 12/1957 Mills .
- 3,023,750 3/1962 Baron .
- 3,096,000 7/1963 Staley .
- 3,178,075 4/1965 Riedl et al. .
- 3,662,929 5/1972 Sims .
- 3,840,009 10/1974 Michaels et al. .
- 3,894,538 7/1975 Richter .

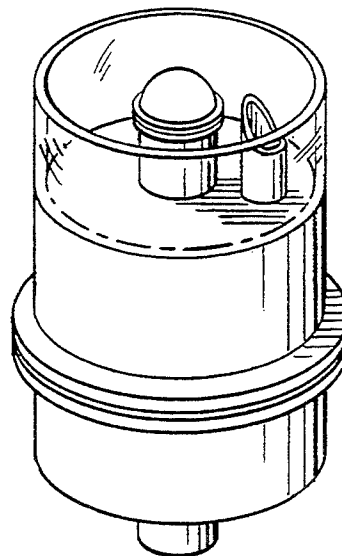
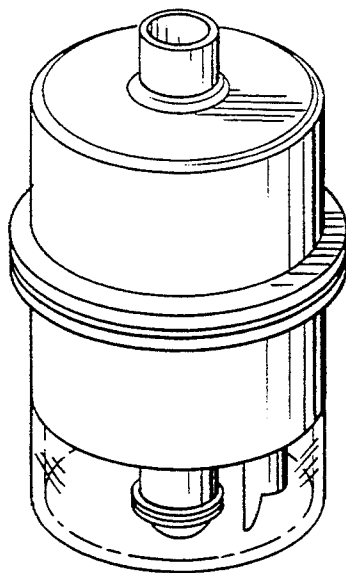
*Primary Examiner*—Louis S. Zarfaz  
*Assistant Examiner*—I. Simmons  
*Attorney, Agent, or Firm*—Knobbe, Martens, Olson & Bear

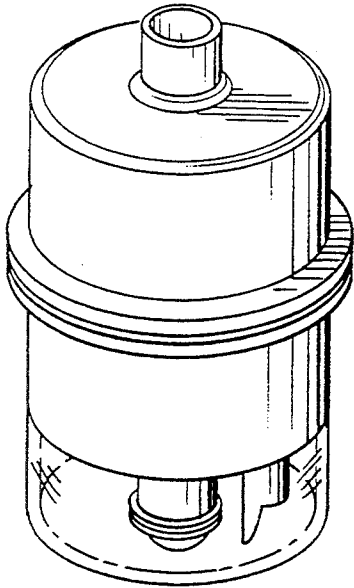
### [57] CLAIM

The ornamental design for an infusion pump, as shown and described.

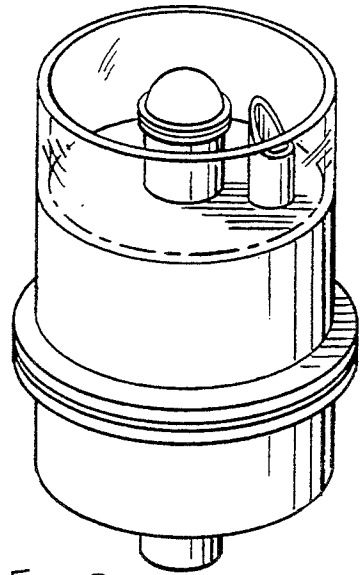
### DESCRIPTION

FIG. 1 is a top perspective view of the infusion pump of the present invention;  
 FIG. 2 is a bottom perspective view of the infusion pump of the present invention;  
 FIG. 3 is a top elevational view of the infusion pump of the present invention;  
 FIG. 4 is a bottom elevational view of the infusion pump of the present invention;  
 FIG. 5 is a side elevational view of the infusion pump of the present invention; and,  
 FIG. 6 is a side elevational view of the infusion pump of the present invention, rotated ninety degrees on its axis relative to FIG. 5.

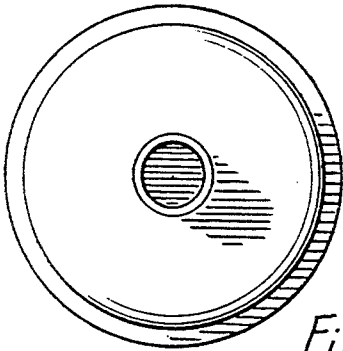




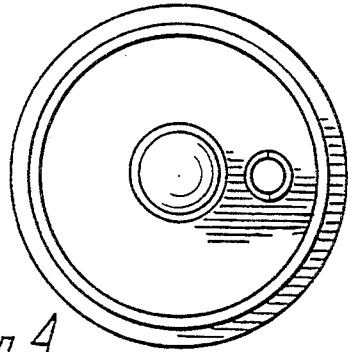
*Fig. 1*



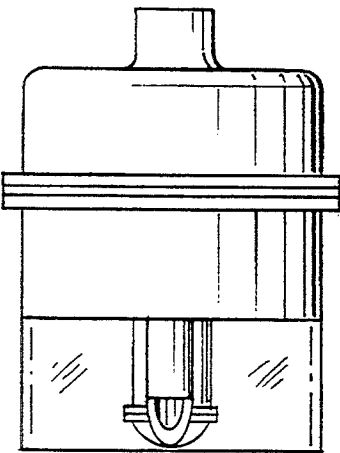
*Fig. 2*



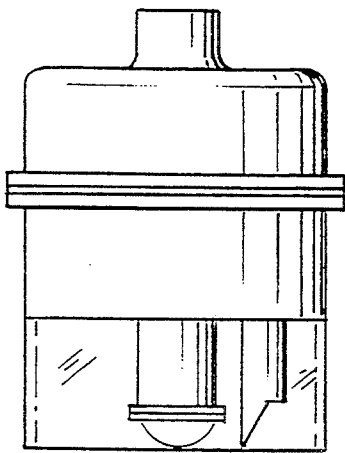
*Fig. 3*



*Fig. 4*



*Fig. 5*



*Fig. 6*