

[54] ADJUSTABLE SUPPORT TABLE FOR A KEYBOARD

[75] Inventor: James O. Kelley, Spring Lake, Mich.

[73] Assignee: Herman Miller, Inc., Zeeland, Mich.

[**] Term: 14 Years

[21] Appl. No.: 862,394

[22] Filed: May 8, 1986

[52] U.S. Cl. D6/420; D6/419; D6/429; D6/486

[58] Field of Search D6/419, 420, 429, 430, D6/480, 486

[56] References Cited

U.S. PATENT DOCUMENTS

- D. 132,166 4/1942 Cloutier D6/420
- D. 184,996 4/1959 Goldstein et al. D6/420 X
- D. 236,045 7/1975 Petrie D6/420
- D. 236,775 9/1975 Cowley D6/420
- 251,069 12/1881 Shaw .
- D. 270,588 9/1983 Kemple D6/486
- D. 280,478 9/1985 Stephens .
- D. 285,507 9/1986 Middlemist D6/419
- D. 288,099 2/1987 Abitz D6/420 X
- 478,590 7/1892 Gould .
- 1,121,698 12/1914 Weiss .

- 3,358,620 12/1967 Parigi .
- 3,543,282 11/1970 Sautereau .
- 3,550,891 12/1970 Scott .
- 3,854,428 12/1974 Fullenkamp .
- 4,313,589 2/1982 Vega 248/558
- 4,350,098 9/1982 Shirono et al. .
- 4,360,180 11/1982 Bruneau .
- 4,365,561 12/1982 Tellier et al. .
- 4,515,086 5/1985 Kwiecinski et al. .

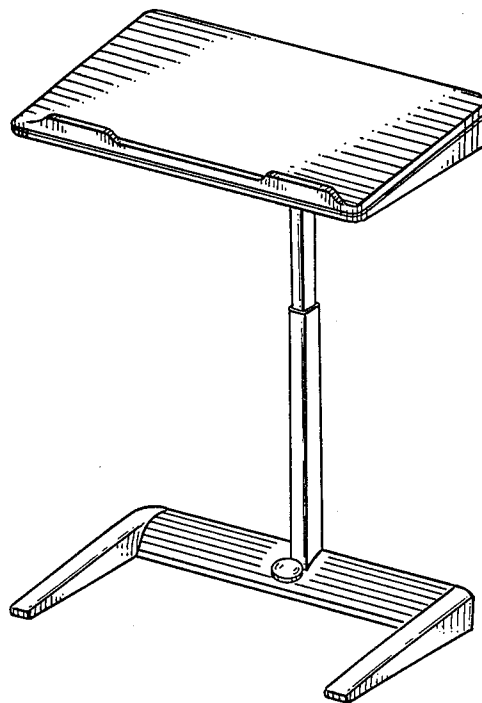
Primary Examiner—Bruce W. Dunkins
Attorney, Agent, or Firm—Varnum, Riddering, Schmidt & Howlett

[57] CLAIM

The ornamental design for an adjustable support table for a keyboard, as shown and described.

DESCRIPTION

FIG. 1 is a perspective view of an adjustable support table for a keyboard showing my design in raised position;
 FIG. 2 is a front elevational view;
 FIG. 3 is a rear elevational view;
 FIG. 4 is a right side elevational view, the left side being a mirror image thereof;
 FIG. 5 is a top plan view;
 FIG. 6 is a bottom plan view; and
 FIG. 7 is a perspective view showing the top in lowered position.



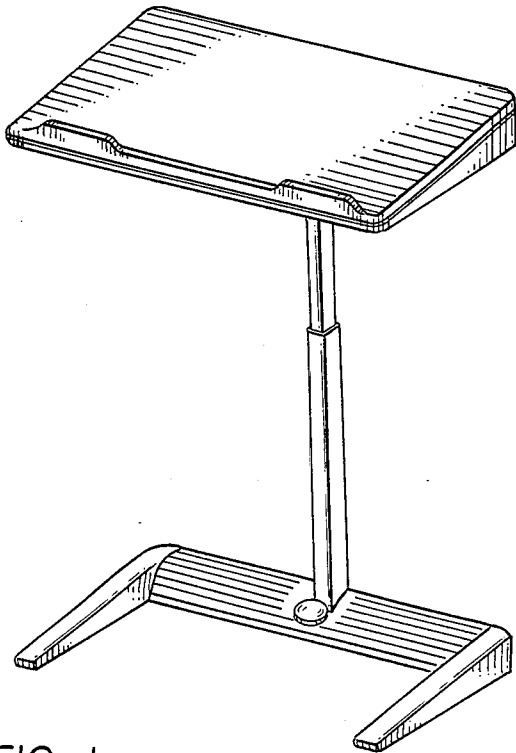


FIG. 1

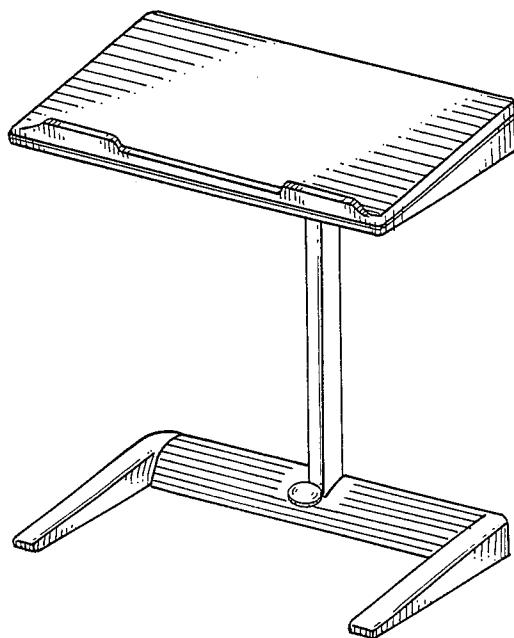


FIG. 7

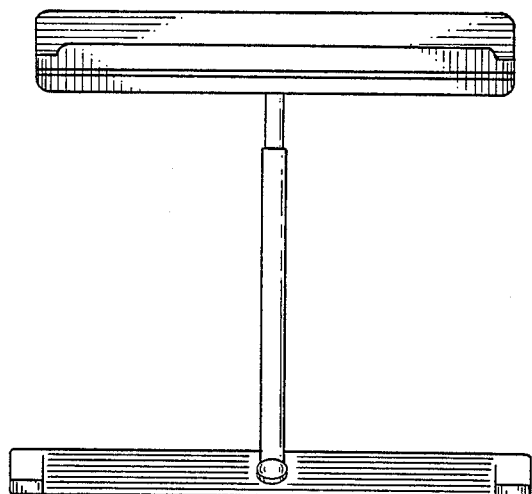


FIG. 2

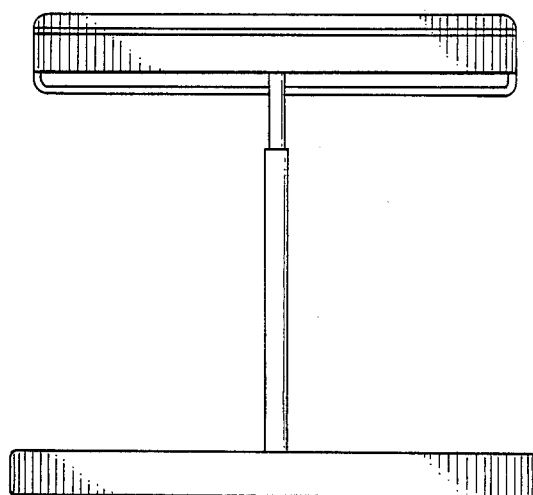


FIG. 3

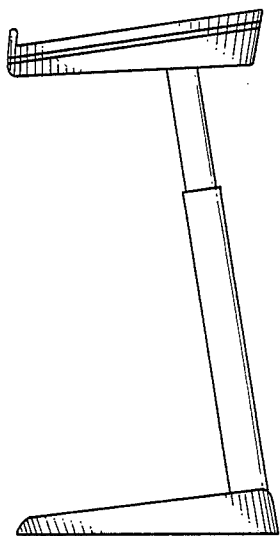


FIG. 4

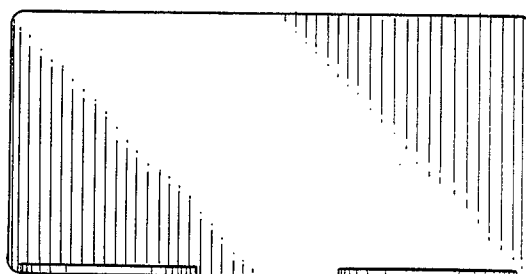


FIG. 5

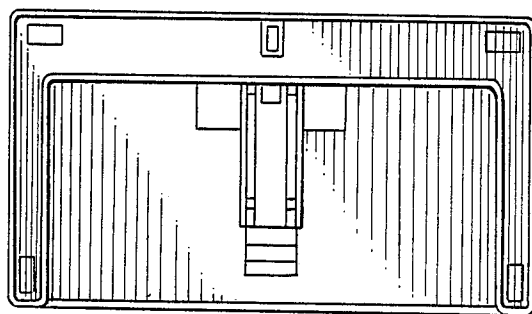


FIG. 6