



US00D998920S

(12) **United States Design Patent** (10) **Patent No.:** **US D998,920 S**  
**Nakamura et al.** (45) **Date of Patent:** **\*\* Sep. 12, 2023**

(54) **DOOR FOR CLOTHING CARE MACHINE**

OTHER PUBLICATIONS

(71) Applicant: **Samsung Electronics Co., Ltd.,**  
Suwon-si (KR)  
(72) Inventors: **Ayumu Nakamura,** Suwon-si (KR);  
**Haruna Tako,** Suwon-si (KR); **Masato**  
**Suzuki,** Suwon-si (KR)  
(73) Assignee: **Samsung Electronics Co., Ltd.,**  
Suwon-si (KR)  
(\*\*) Term: **15 Years**

Steam clothing care system, posted May 26, 2020 [online], [retrieved Apr. 5, 2023]. Retrieved from internet, [https://www.amazon.co.uk/LG-Styler-Connected-Clothing-SystemTM/dp/B09RFWWSMZ/ref=sr\\_1\\_6?crd=2MF5XWMYOVG17&keywords=steamer+closet&qid=1680707330&sprefix=steamer+close%2Caps%2C250&sr=8-6](https://www.amazon.co.uk/LG-Styler-Connected-Clothing-SystemTM/dp/B09RFWWSMZ/ref=sr_1_6?crd=2MF5XWMYOVG17&keywords=steamer+closet&qid=1680707330&sprefix=steamer+close%2Caps%2C250&sr=8-6) (Year: 2020).\*

(Continued)

*Primary Examiner* — Khawaja Anwar  
*Assistant Examiner* — Taylor O Mortorff  
(74) *Attorney, Agent, or Firm* — NSIP Law

(21) Appl. No.: **29/798,875**

(22) Filed: **Jul. 12, 2021**

(57) **CLAIM**

(30) **Foreign Application Priority Data**

We claim the ornamental design for a door for clothing care machine, as shown and described.

Jan. 12, 2021 (KR) ..... 30-2021-0001555

(51) **LOC (14) Cl.** ..... **15-05**

(52) **U.S. Cl.**  
USPC ..... **D32/25**

(58) **Field of Classification Search**  
USPC ..... D3/319; D6/560, 561, 663, 703, 703.2;  
D32/1, 6, 8, 10, 25  
CPC ..... D06F 58/10; D06F 73/02; D06F 2105/44  
See application file for complete search history.

**DESCRIPTION**

FIG. 1 is a front perspective view of a door for clothing care machine showing our new design; FIG. 2 is a front view thereof; FIG. 3 is a rear view thereof; FIG. 4 is a left-side view thereof; FIG. 5 is a right-side view thereof; FIG. 6 is a top view thereof; FIG. 7 is a bottom view thereof; FIG. 8 is an enlarged view of the encircled portion in FIG. 1; and, FIG. 9 is an enlarged view of the encircled portion in FIG. 4.

The broken lines in the figures depict portions of the door for clothing care machine form no part of the claimed design. The dot-dash broken lines in the figures define a boundary of the claimed design and form no part thereof. The dot-dot-dash broken lines encircling portions of the claimed design that are illustrated in enlargements form no part of the claimed design.

(56) **References Cited**

U.S. PATENT DOCUMENTS

D732,770 S \* 6/2015 Choi ..... D6/703  
D732,771 S \* 6/2015 Chung ..... D32/25  
D732,772 S \* 6/2015 Chung ..... D32/25  
D743,128 S \* 11/2015 Chung ..... D6/703  
D743,130 S \* 11/2015 Choi ..... D6/703

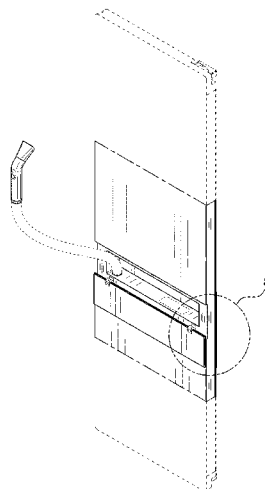
(Continued)

FOREIGN PATENT DOCUMENTS

CN 104805634 A \* 7/2015  
CN 208440876 U \* 1/2019

(Continued)

**1 Claim, 8 Drawing Sheets**



(56)

References Cited

U.S. PATENT DOCUMENTS

D743,652 S \* 11/2015 Chung ..... D6/703  
D743,653 S \* 11/2015 Chung ..... D6/703  
D743,654 S \* 11/2015 Chung ..... D6/703  
D836,271 S \* 12/2018 Chung ..... D32/6  
D839,515 S \* 1/2019 Chung ..... D32/25  
D908,986 S \* 1/2021 Yoon ..... D32/6  
D908,987 S \* 1/2021 Yoon ..... D32/6  
D915,009 S \* 3/2021 Yoon ..... D32/6  
D916,402 S \* 4/2021 Yoon ..... D32/6  
D917,116 S \* 4/2021 Yoon ..... D32/6  
D917,802 S \* 4/2021 Yoon ..... D32/6  
D917,803 S \* 4/2021 Yoon ..... D32/6  
D918,498 S \* 5/2021 Park ..... D32/6  
D948,818 S \* 4/2022 Park ..... D32/6  
11,299,847 B2 \* 4/2022 Chae ..... D06F 73/02  
11,352,737 B2 \* 6/2022 Park ..... D06F 58/10  
11,441,258 B2 \* 9/2022 Seo ..... D06F 58/24

FOREIGN PATENT DOCUMENTS

CN 214300823 U \* 9/2021  
CN 214300926 U \* 9/2021  
CN 214831268 U \* 11/2021

CN 113832676 A \* 12/2021  
CN 215887662 U \* 2/2022  
CN 114233151 A \* 3/2022  
CN 216688751 U \* 6/2022  
CN 216786608 U \* 6/2022  
CN 217266543 U \* 8/2022

OTHER PUBLICATIONS

Steam closet, posted Apr. 21, 2021 [online], [retrieved Apr. 5, 2023].

Retrieved from internet, [https://www.amazon.com/dp/B0932M7GH9?](https://www.amazon.com/dp/B0932M7GH9?pd_rd_i=B0932M7GH9&pf_rd_p=c9fa8100-7286-410a-991c-1fc5f10da1d5&pf_rd_r=6ZD6QMMSPRNH0XWDY0AS&pd_rd_wg=Yqjob&pd_rd_w=YoeT6&pd_rd_r=4f8f8735-d014-40b6-8c4b-df7230ed7dda&th=1)

[pd\\_rd\\_i=B0932M7GH9&pf\\_rd\\_p=c9fa8100-7286-410a-991c-](https://www.amazon.com/dp/B0932M7GH9?pd_rd_i=B0932M7GH9&pf_rd_p=c9fa8100-7286-410a-991c-1fc5f10da1d5&pf_rd_r=6ZD6QMMSPRNH0XWDY0AS&pd_rd_wg=Yqjob&pd_rd_w=YoeT6&pd_rd_r=4f8f8735-d014-40b6-8c4b-df7230ed7dda&th=1)

[1fc5f10da1d5&pf\\_rd\\_r=6ZD6QMMSPRNH0XWDY0AS&pd\\_rd\\_](https://www.amazon.com/dp/B0932M7GH9?pd_rd_i=B0932M7GH9&pf_rd_p=c9fa8100-7286-410a-991c-1fc5f10da1d5&pf_rd_r=6ZD6QMMSPRNH0XWDY0AS&pd_rd_wg=Yqjob&pd_rd_w=YoeT6&pd_rd_r=4f8f8735-d014-40b6-8c4b-df7230ed7dda&th=1)

[wg=Yqjob&pd\\_rd\\_w=YoeT6&pd\\_rd\\_r=4f8f8735-d014-40b6-8c4b-](https://www.amazon.com/dp/B0932M7GH9?pd_rd_i=B0932M7GH9&pf_rd_p=c9fa8100-7286-410a-991c-1fc5f10da1d5&pf_rd_r=6ZD6QMMSPRNH0XWDY0AS&pd_rd_wg=Yqjob&pd_rd_w=YoeT6&pd_rd_r=4f8f8735-d014-40b6-8c4b-df7230ed7dda&th=1)

[df7230ed7dda&th=1](https://www.amazon.com/dp/B0932M7GH9?pd_rd_i=B0932M7GH9&pf_rd_p=c9fa8100-7286-410a-991c-1fc5f10da1d5&pf_rd_r=6ZD6QMMSPRNH0XWDY0AS&pd_rd_wg=Yqjob&pd_rd_w=YoeT6&pd_rd_r=4f8f8735-d014-40b6-8c4b-df7230ed7dda&th=1) (Year: 2021).\*

\* cited by examiner

FIG. 1

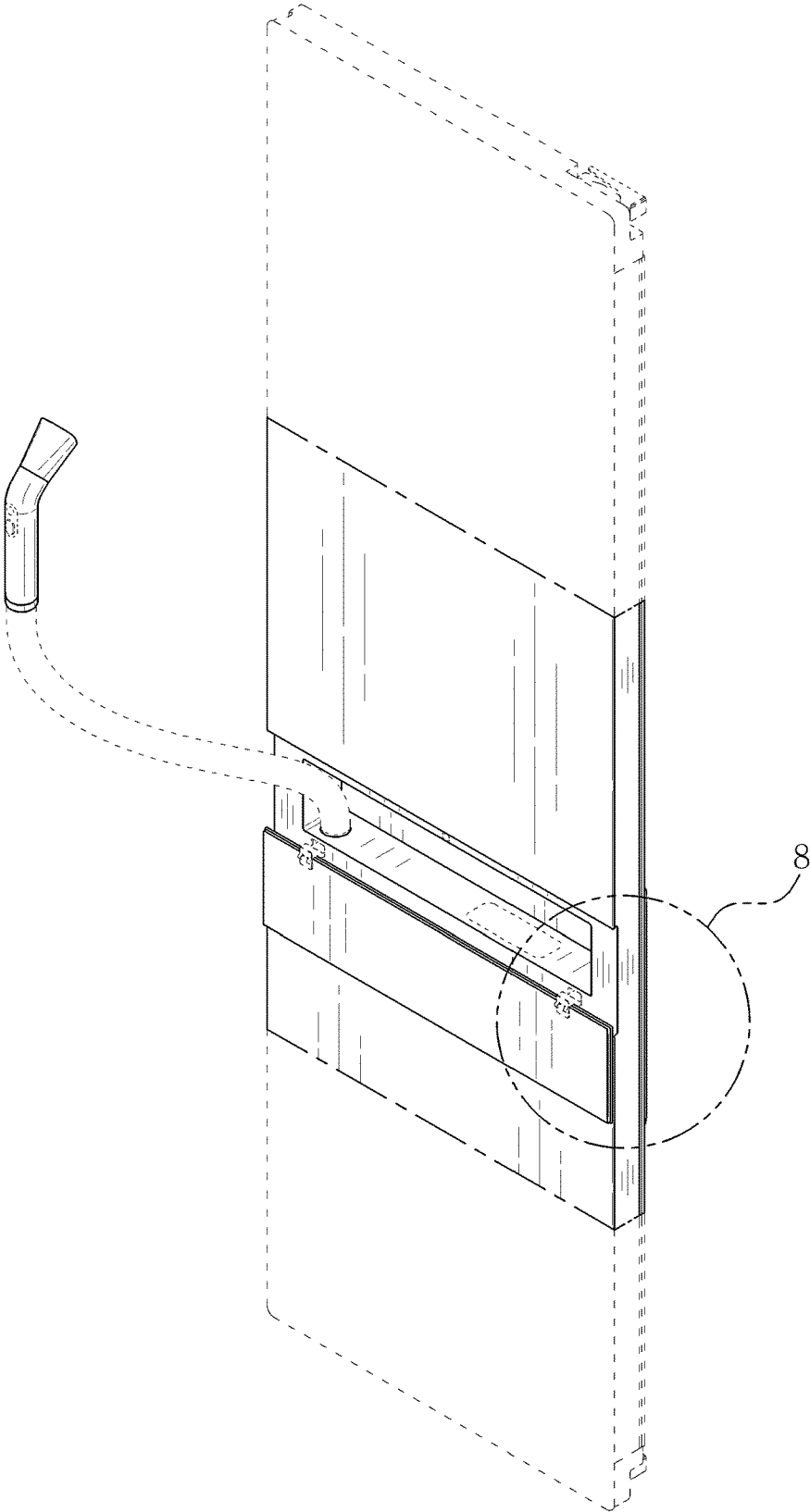


FIG. 2

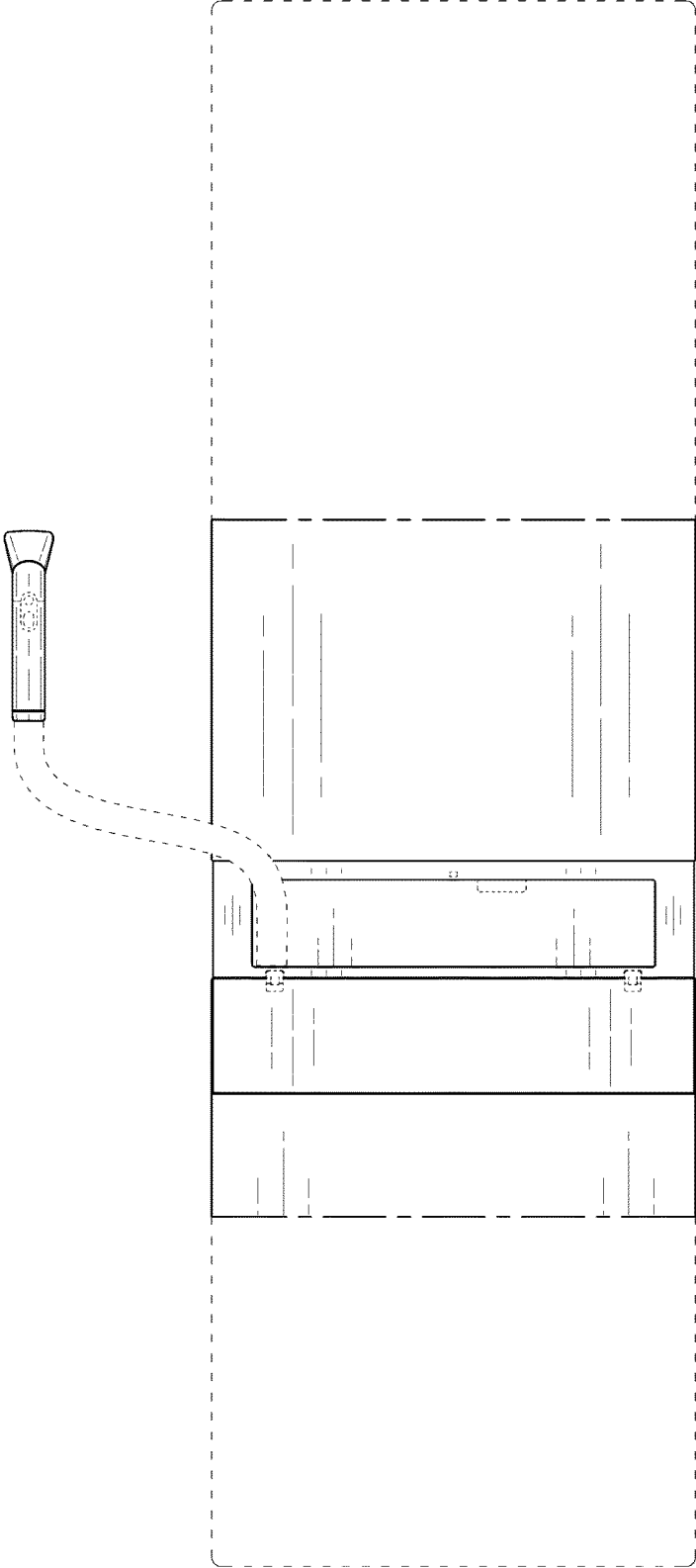


FIG. 3

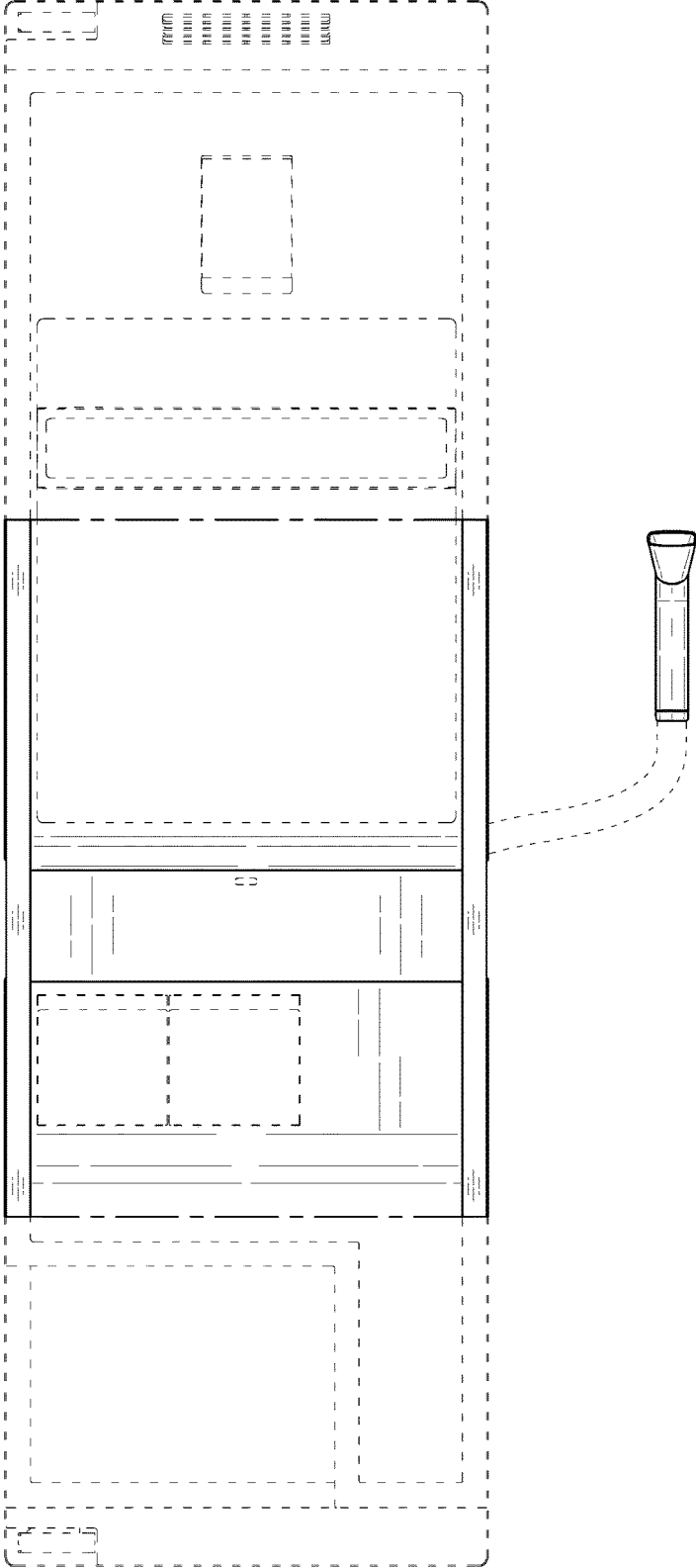


FIG. 4

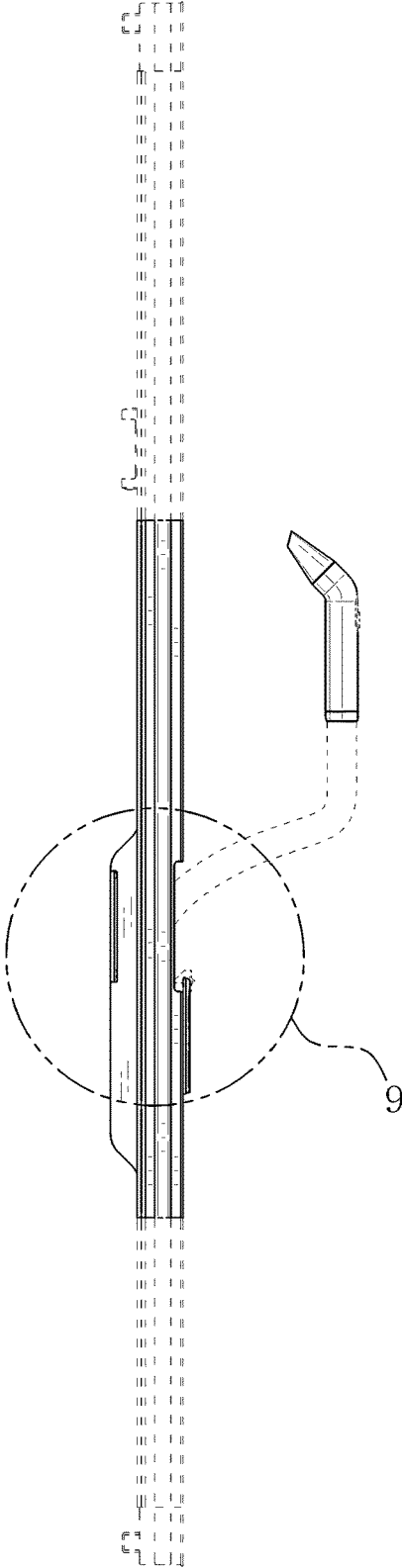


FIG. 5

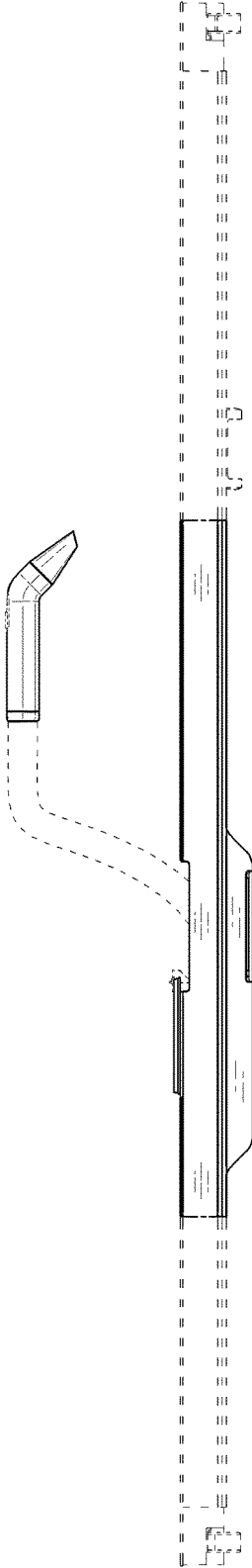


FIG. 6

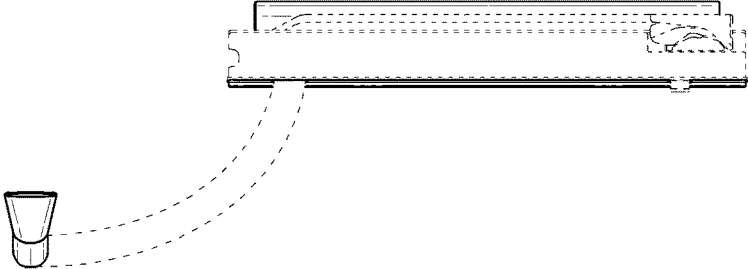


FIG. 7

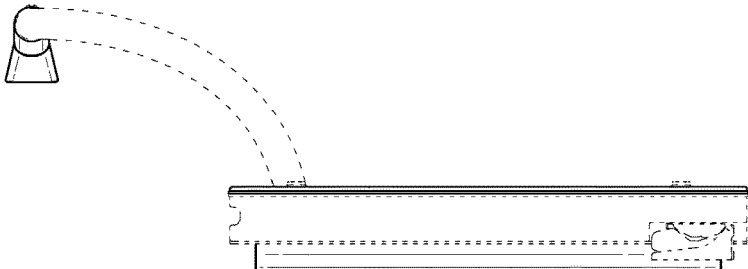


FIG. 8

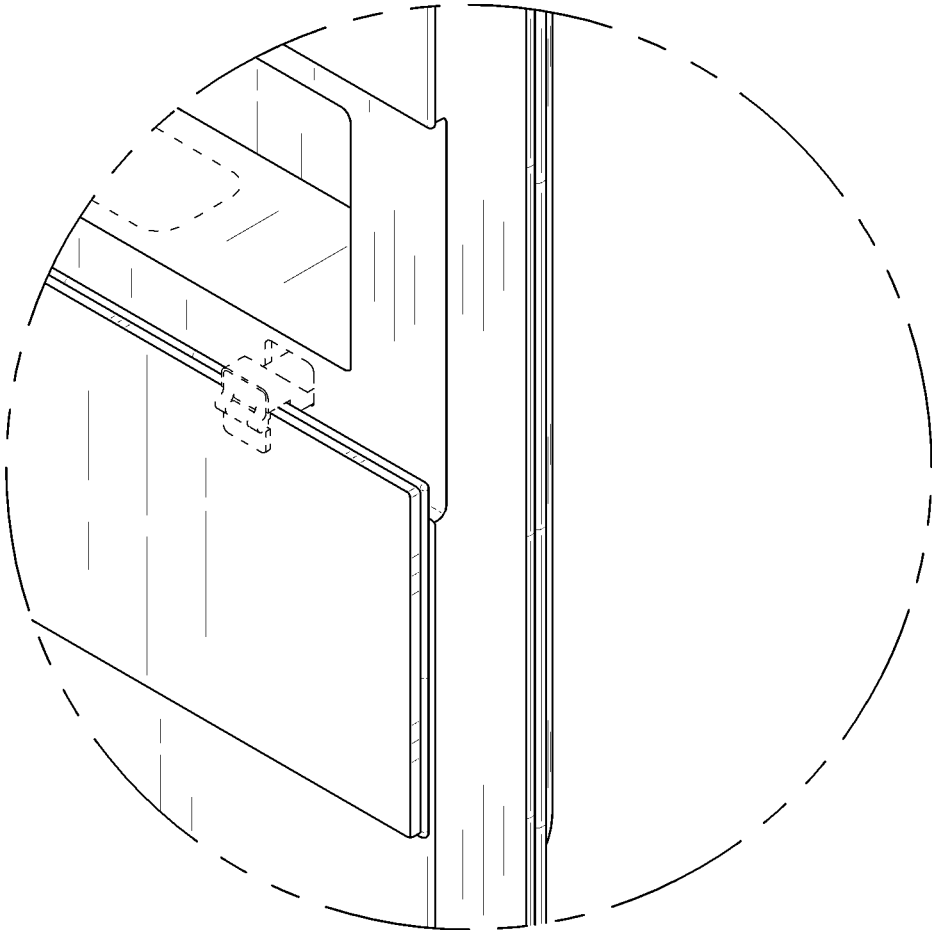


FIG. 9

