

(19) World Intellectual Property Organization
International Bureau



(43) International Publication Date
13 September 2007 (13.09.2007)

PCT

(10) International Publication Number
WO 2007/103106 A3

(51) International Patent Classification:
B21J 15/10 (2006.01) B21J 15/02 (2006.01)
B21J 15/28 (2006.01)

(74) Agent: SATERMO, Eric, K.; The Boeing Company, 2201 Seal Beach Blvd., Mc 1110-SD54, Seal Beach, CA 90740 (US).

(21) International Application Number:
PCT/US2007/005257

(81) Designated States (unless otherwise indicated, for every kind of national protection available): AE, AG, AL, AM, AT, AU, AZ, BA, BB, BG, BR, BW, BY, BZ, CA, CH, CN, CO, CR, CU, CZ, DE, DK, DM, DZ, EC, EE, EG, ES, FI, GB, GD, GE, GH, GM, GT, HN, HR, HU, ID, IL, IN, IS, JP, KE, KG, KM, KN, KP, KR, KZ, LA, LC, LK, LR, LS, LT, LU, LY, MA, MD, MG, MK, MN, MW, MX, MY, MZ, NA, NG, NI, NO, NZ, OM, PG, PH, PL, PT, RO, RS, RU, SC, SD, SE, SG, SK, SL, SM, SV, SY, TJ, TM, TN, TR, TT, TZ, UA, UG, US, UZ, VC, VN, ZA, ZM, ZW.

(22) International Filing Date: 2 March 2007 (02.03.2007)

(25) Filing Language: English

(26) Publication Language: English

(30) Priority Data:
11/366,190 2 March 2006 (02.03.2006) US

(71) Applicant (for all designated States except US): THE BOEING COMPANY [US/US]; 100 North Riverside Plaza, Chicago, IL 60606-2016 (US).

(84) Designated States (unless otherwise indicated, for every kind of regional protection available): ARIPO (BW, GH, GM, KE, LS, MW, MZ, NA, SD, SL, SZ, TZ, UG, ZM, ZW), Eurasian (AM, AZ, BY, KG, KZ, MD, RU, TJ, TM), European (AT, BE, BG, CH, CY, CZ, DE, DK, EE, ES, FI, FR, GB, GR, HU, IE, IS, IT, LT, LU, LV, MC, MT, NL, PL, PT, RO, SE, SI, SK, TR), OAPI (BF, BJ, CF, CG, CI, CM, GA, GN, GQ, GW, ML, MR, NE, SN, TD, TG).

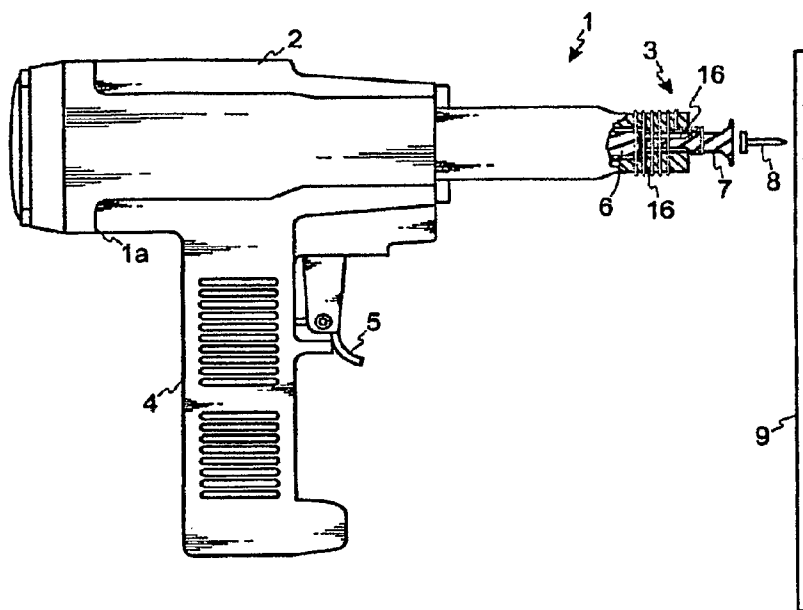
(72) Inventors; and

(75) Inventors/Applicants (for US only): STAVIG, Paul, N. [US/US]; 9934 62nd Avenue Ct. E., Puyallup, WA 98373-4174 (US). MALLY, Sujith, N. [US/US]; 10305 Ne 16th Street Unit I-4, Bellevue, WA 98004 (US). HAMILTON, Jeffrey, W. [US/US]; 415 Renton Avenue S., Renton, WA 98055 (US).

Published:
— with international search report

[Continued on next page]

(54) Title: A DEVICE FOR CONTROLLED DEPTH RIVETING



(57) Abstract: An adjustable depth control device (12) for a fastener driving tool (10) has an attachment member (14) which is used to couple the adjustable depth contro device (12) to the fastener driving tool (10) . An adjustment member (15) is coupled to the attachment member (14) to adjust and control a driving depth o the fastener driving tool (10) . A stopping head (34) is formed on a rivet die (30) of the fastener driving tool for keeping the rivet die (30) in a chamber (32) of the fastener driving tool and for limiting a distance the rivet die (30) will travel.

WO 2007/103106 A3



— *before the expiration of the time limit for amending the claims and to be republished in the event of receipt of amendments*

For two-letter codes and other abbreviations, refer to the "Guidance Notes on Codes and Abbreviations" appearing at the beginning of each regular issue of the PCT Gazette.

(88) Date of publication of the international search report:

8 November 2007

INTERNATIONAL SEARCH REPORT

International application No

PCT/US2007/005257

A. CLASSIFICATION OF SUBJECT MATTER
 INV. B21J15/10 B21J15/28
 ADD. B21J15/02

According to International Patent Classification (IPC) or to both national classification and IPC

B. FIELDS SEARCHED

Minimum documentation searched (classification system followed by classification symbols)
 B21J B25B B25C

Documentation searched other than minimum documentation to the extent that such documents are included in the fields searched

Electronic data base consulted during the international search (name of data base and, where practical, search terms used)

EPO-Internal, WPI Data, PAJ

C. DOCUMENTS CONSIDERED TO BE RELEVANT

Category*	Citation of document, with indication, where appropriate, of the relevant passages	Relevant to claim No.
X	US 5 074 453 A (TACHIYARA SUEJI [JP] ET AL) 24 December 1991 (1991-12-24)	1-7,9
Y	column 4, lines 26-45; figures 1,3,6	10-17,19
Y	DE 913 759 C (LANGENSIEPEN KG M) 18 June 1954 (1954-06-18)	10-17,19
A	page 3, lines 36-54; figures 1-3	2,5
A	US 5 405 071 A (BAUGUS MICHAEL [US]) 11 April 1995 (1995-04-11)	1,3,8, 10,13,18
A	column 7, lines 25-30; figure 1	
A	US 3 606 129 A (RITTER ADOLF) 20 September 1971 (1971-09-20)	8,18
A	column 5, lines 29-38; figure 3	
A	DE 28 50 273 A1 (HILTI AG) 29 May 1980 (1980-05-29)	8,18
	page 7, lines 7-12; figure 1	

 Further documents are listed in the continuation of Box C.

 See patent family annex.

* Special categories of cited documents :

A document defining the general state of the art which is not considered to be of particular relevance
 E earlier document but published on or after the international filing date
 L document which may throw doubts on priority claim(s) or which is cited to establish the publication date of another citation or other special reason (as specified)
 O document referring to an oral disclosure, use, exhibition or other means
 P document published prior to the international filing date but later than the priority date claimed

T later document published after the international filing date or priority date and not in conflict with the application but cited to understand the principle or theory underlying the invention

X document of particular relevance; the claimed invention cannot be considered novel or cannot be considered to involve an inventive step when the document is taken alone

Y document of particular relevance; the claimed invention cannot be considered to involve an inventive step when the document is combined with one or more other such documents, such combination being obvious to a person skilled in the art.

& document member of the same patent family

Date of the actual completion of the international search

21 August 2007

Date of mailing of the international search report

28/08/2007

Name and mailing address of the ISA/

European Patent Office, P.B. 5818 Patentlaan 2
 NL - 2280 HV Rijswijk
 Tel. (+31-70) 340-2040, Tx. 31 651 epo nl,
 Fax: (+31-70) 340-3016

Authorized officer

Augé, Marc

INTERNATIONAL SEARCH REPORT

Information on patent family members

International application No
PCT/US2007/005257

Patent document cited in search report	Publication date	Patent family member(s)	Publication date
US 5074453	A	DE 4011778 A1	21-03-1991
DE 913759	C	NONE	
US 5405071	A	NONE	
US 3606129	A	BE 730352 A	01-09-1969
		CH 480921 A	15-11-1969
		DE 1703117 A1	08-07-1971
		FR 1595996 A	15-06-1970
		GB 1238231 A	07-07-1971
		HU 166707 B	28-05-1975
		IE 32683 B1	31-10-1973
		JP 49023344 B	14-06-1974
		NL 6817836 A	07-10-1969
		NO 121776 B	05-04-1971
		SE 385276 B	21-06-1976
DE 2850273	A1	NONE	