

(19) World Intellectual Property Organization
International Bureau



(10) International Publication Number
WO 2011/159479 A3

(43) International Publication Date
22 December 2011 (22.12.2011)

- (51) **International Patent Classification:**
H04B 1/38 (2006.01) *H04M 1/02* (2006.01)
- (21) **International Application Number:**
PCT/US2011/038836
- (22) **International Filing Date:**
2 June 2011 (02.06.2011)
- (25) **Filing Language:** English
- (26) **Publication Language:** English
- (30) **Priority Data:**
12/818,914 18 June 2010 (18.06.2010) US
- (71) **Applicant (for all designated States except US):** **MOTOROLA SOLUTIONS, INC.** [US/US]; 1303 East Algonquin Road, Schaumburg, Illinois 60196 (US).
- (72) **Inventors; and**
- (75) **Inventors/Applicants (for US only):** **GARCIA, Jorge, L.** [US/US]; 1041 NW 95th Avenue, Plantation, Florida 33322 (US). **KAKIEL, Anthony, M.** [US/US]; 9265 NW 17th Street, Coral Springs, Florida 33071 (US). **RUBIO, Adrian, F.** [US/US]; 2449 Bayview Drive, Fort Lauderdale, Florida 33305 (US).
- (74) **Agents:** **DOUTRE, Barbara, R.** et al.; 1303 East Algonquin Road, Schaumburg, IL 60196 (US).

(81) **Designated States** (unless otherwise indicated, for every kind of national protection available): AE, AG, AL, AM, AO, AT, AU, AZ, BA, BB, BG, BH, BR, BW, BY, BZ, CA, CH, CL, CN, CO, CR, CU, CZ, DE, DK, DM, DO, DZ, EC, EE, EG, ES, FI, GB, GD, GE, GH, GM, GT, HN, HR, HU, ID, IL, IN, IS, JP, KE, KG, KM, KN, KP, KR, KZ, LA, LC, LK, LR, LS, LT, LU, LY, MA, MD, ME, MG, MK, MN, MW, MX, MY, MZ, NA, NG, NI, NO, NZ, OM, PE, PG, PH, PL, PT, RO, RS, RU, SC, SD, SE, SG, SK, SL, SM, ST, SV, SY, TH, TJ, TM, TN, TR, TT, TZ, UA, UG, US, UZ, VC, VN, ZA, ZM, ZW.

(84) **Designated States** (unless otherwise indicated, for every kind of regional protection available): ARIPO (BW, GH, GM, KE, LR, LS, MW, MZ, NA, SD, SL, SZ, TZ, UG, ZM, ZW), Eurasian (AM, AZ, BY, KG, KZ, MD, RU, TJ, TM), European (AL, AT, BE, BG, CH, CY, CZ, DE, DK, EE, ES, FI, FR, GB, GR, HR, HU, IE, IS, IT, LT, LU, LV, MC, MK, MT, NL, NO, PL, PT, RO, RS, SE, SI, SK, SM, TR), OAPI (BF, BJ, CF, CG, CI, CM, GA, GN, GQ, GW, ML, MR, NE, SN, TD, TG).

- Published:**
- with international search report (Art. 21(3))
 - before the expiration of the time limit for amending the claims and to be republished in the event of receipt of amendments (Rule 48.2(h))

[Continued on next page]

(54) **Title:** EMERGENCY BUTTON ASSEMBLY FOR A HANDHELD RADIO

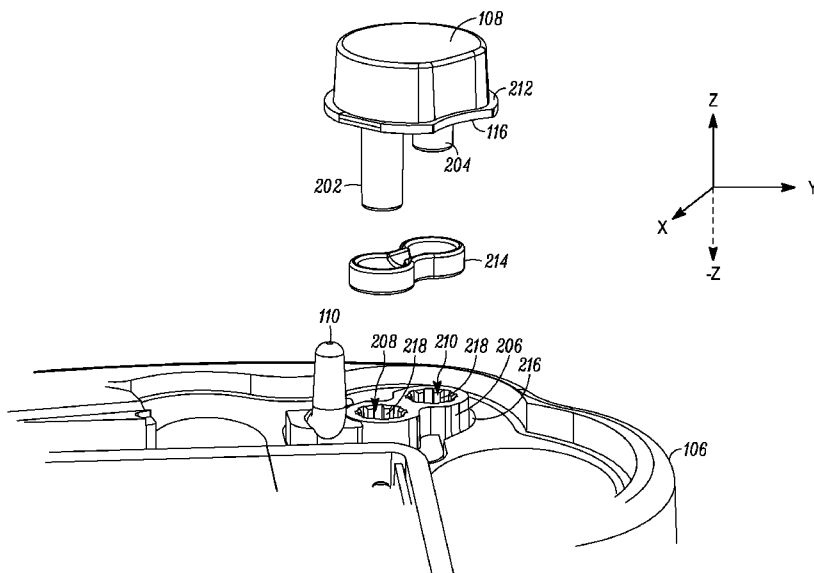
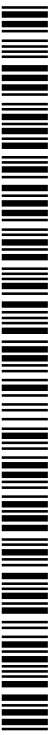


FIG. 2

(57) **Abstract:** A push-button assembly for a handheld radio (100) is provided which permits off-axis actuation by a gloved user amongst a crowded radio control environment. The push-button (108) includes first and second guide posts (202, 204) of different length, one guide post also serving as a switch actuator. An alignment guide (206) receives the two guide posts (202, 204). The alignment guide (206) with the first and second guide posts (202, 204) are coupled within a recessed portion (216) of a housing (102) to provide tactile feedback, even during gloved usage. The alignment guide (206) may further provide a light guide (110) which can operate as a third guide post for the radio (100).



WO 2011/159479 A3

(88) Date of publication of the international search report:
5 April 2012

A. CLASSIFICATION OF SUBJECT MATTER**H04B 1/38(2006.01)i, H04M 1/02(2006.01)i**

According to International Patent Classification (IPC) or to both national classification and IPC

B. FIELDS SEARCHED

Minimum documentation searched (classification system followed by classification symbols)

H04B 1/38; G09G 5/08; G09G 5/00

Documentation searched other than minimum documentation to the extent that such documents are included in the fields searched

Korean utility models and applications for utility models

Japanese utility models and applications for utility models

Electronic data base consulted during the international search (name of data base and, where practicable, search terms used)

eKOMPASS(KIPO internal) & Keywords: push bottom, control knob, handheld

C. DOCUMENTS CONSIDERED TO BE RELEVANT

Category*	Citation of document, with indication, where appropriate, of the relevant passages	Relevant to claim No.
Y	US 2004-0032395 A1 (ALEX S. GOLDENBERG et al.) 19 February 2004	1, 5, 12
A	See figs. 1-2; paragraphs [0033], [0037], [0039]; claims 1-5. See whole document.	2-4, 6-11, 13-16
Y	US 6686911 B1 (LEVIN; MICHAEL D. et al.) 03 February 2004	1, 5, 12
A	See fig. 5; claim 1. See whole document.	2-4, 6-11, 13-16

 Further documents are listed in the continuation of Box C. See patent family annex.

* Special categories of cited documents:

"A" document defining the general state of the art which is not considered to be of particular relevance

"E" earlier application or patent but published on or after the international filing date

"L" document which may throw doubts on priority claim(s) or which is cited to establish the publication date of citation or other special reason (as specified)

"O" document referring to an oral disclosure, use, exhibition or other means

"P" document published prior to the international filing date but later than the priority date claimed

"T" later document published after the international filing date or priority date and not in conflict with the application but cited to understand the principle or theory underlying the invention

"X" document of particular relevance; the claimed invention cannot be considered novel or cannot be considered to involve an inventive step when the document is taken alone

"Y" document of particular relevance; the claimed invention cannot be considered to involve an inventive step when the document is combined with one or more other such documents, such combination being obvious to a person skilled in the art

"&" document member of the same patent family

Date of the actual completion of the international search

20 JANUARY 2012 (20.01.2012)

Date of mailing of the international search report

09 FEBRUARY 2012 (09.02.2012)

Name and mailing address of the ISA/KR

Korean Intellectual Property Office
Government Complex-Daejeon, 189 Cheongsa-ro,
Seo-gu, Daejeon 302-701, Republic of Korea

Facsimile No. 82-42-472-7140

Authorized officer

Lee Seoung Young

Telephone No. 82-42-481-8591



INTERNATIONAL SEARCH REPORT

Information on patent family members

International application No.

PCT/US2011/038836

Patent document cited in search report	Publication date	Patent family member(s)	Publication date
US 2004-0032395 A1	19.02.2004	AU 1997-38895 B2	12.07.2001
		AU 1998-78503 B2	28.06.2001
		AU 1999-13911 A1	07.06.1999
		AU 1999-32042 A1	18.10.1999
		AU 1999-32042 B2	19.06.2003
		AU 1999-47074 A1	10.01.2000
		AU 2000-14637 A1	22.05.2000
		AU 2000-23424 A1	26.04.2000
		AU 2000-38799 A1	04.10.2000
		AU 2000-47010 A1	17.11.2000
		AU 2000-47011 A1	17.11.2000
		AU 2001-19575 A1	18.06.2001
		AU 2001-29543 A1	31.07.2001
		AU 2001-37893 A1	14.05.2001
		AU 2002-247296 A8	24.09.2002
		AU 2002-348399 A1	09.07.2003
		CA 2210725 C	08.05.2001
		CA 2223289 C	25.03.2003
		CA 2228587 A1	20.02.1997
		CA 2228587 C	01.11.2005
		CA 2233206 C	03.04.2001
		CA 2237977 C	26.03.2002
		CA 2254854 A1	27.11.1997
		CA 2254854 C	09.01.2007
		CA 2261893 C	16.04.2002
		CA 2271129 C	12.08.2003
		CA 2272553 A1	04.06.1998
		CA 2272627 A1	18.06.1998
		CA 2272627 C	04.10.2005
		CA 2278726 A1	30.07.1998
		CA 2278726 C	31.08.2004
		CA 2281923 A1	27.08.1998
		CA 2281923 C	21.08.2007
		CA 2287349 A1	05.11.1998
		CA 2287349 C	25.06.2002
		CA 2291226 A1	30.09.1999
		CA 2291226 C	22.10.2002
		CA 2294085 A1	23.12.1998
		CA 2294085 C	15.08.2006
		CA 2294128 A1	23.12.1998
		CA 2297514 A1	02.08.2000
		CA 2300899 A1	29.12.1999
		CN 1496549 A	12.05.2004
		CN 1496549 C0	12.07.2006
		CN 1571989 A	26.01.2005
		CN 1571989 C0	26.01.2005
		CN 1924775 A	07.03.2007
		CN 1924775 C0	15.10.2008
		EP 0804786 A1	05.11.1997

INTERNATIONAL SEARCH REPORT

Information on patent family members

International application No.

PCT/US2011/038836

Patent document cited in search report	Publication date	Patent family member(s)	Publication date
		EP 0804786 A4	01.04.1998
		EP 0804786 B1	31.03.2004
		EP 0836735 A1	22.04.1998
		EP 0836735 A4	14.10.1998
		EP 0836735 B1	24.08.2005
		EP 0843808 A1	17.12.2003
		EP 0843808 B1	17.12.2003
		EP 0852770 A1	15.07.1998
		EP 0852770 A4	16.12.1998
		EP 0852770 B1	15.03.2000
		EP 0852789 A1	15.07.1998
		EP 0852789 A4	09.12.1998
		EP 0852789 B1	15.11.2006
		EP 0864144 A2	16.09.1998
		EP 0864144 A4	30.01.2002
		EP 0864144 B1	08.03.2006
		EP 0870296 A1	14.10.1998
		EP 0870296 A4	17.01.2001
		EP 0870296 B1	04.02.2004
		EP 0941578 A1	15.09.1999
		EP 0943179 A1	04.05.2005
		EP 0943179 B1	07.06.2006
		EP 0951714 A2	27.10.1999
		EP 0951714 A4	09.07.2003
		EP 0958536 A1	24.11.1999
		EP 0974889 A1	26.01.2000
		EP 0974889 B1	26.03.2003
		EP 0979444 A1	16.02.2000
		EP 0979444 A4	22.12.2004
		EP 0979500 A1	16.02.2000
		EP 0995152 A1	26.04.2000
		EP 0995152 B1	10.08.2011
		EP 0995186 A2	26.04.2000
		EP 1005690 A1	07.06.2000
		EP 1012697 A1	28.06.2000
		EP 1036390 A1	20.09.2000
		EP 1036390 A4	25.10.2000
		EP 1036390 B1	03.11.2004
		EP 1046151 A1	25.10.2000
		EP 1046151 A4	25.06.2003
		EP 1066616 A2	10.01.2001
		EP 1066616 A4	02.07.2003
		EP 1066616 B1	22.09.2010
		EP 1157339 A2	28.11.2001
		EP 1157339 A4	12.03.2003
		EP 1374217 A1	02.01.2004
		EP 1424538 A1	02.06.2004
		EP 1424538 B1	07.07.2010
		EP 1440429 A1	28.07.2004
		EP 1640851 A2	29.03.2006

INTERNATIONAL SEARCH REPORT

Information on patent family members

International application No.

PCT/US2011/038836

Patent document cited in search report	Publication date	Patent family member(s)	Publication date
		EP 1988446 A1	05.11.2008
		EP 2246770 A2	03.11.2010
		EP 2246770 A3	14.09.2011
		EP 2273346 A1	12.01.2011
		EP 2309365 A2	13.04.2011
		EP 2309365 A3	20.04.2011
		GB 2343499 A	10.05.2000
		GB 2346455 A	09.08.2000
		GB 2346952 A	23.08.2000
		GB 2347990 A	20.09.2000
		GB 2348352 A	27.09.2000
		GB 2353116 A	14.02.2001
		JP 03-069791 U	05.04.2000
		JP 03-078485 U	11.04.2001
		JP 03-083070 U	24.10.2001
		JP 03-085481 U	13.02.2002
		JP 03-753744 B2	08.03.2006
		JP 03-847782 B2	22.11.2006
		JP 04-394664 B2	23.10.2009
		JP 04-689747 B2	25.02.2011
		JP 10-512983 A	08.12.1998
		JP 11-514469 A	07.12.1999
		JP 2000-515285 A	14.11.2000
		JP 2001-109558 A	20.04.2001
		JP 2004-530200 A	30.09.2004
		JP 2005-514681 A	19.05.2005
		JP 2006-286016 A	19.10.2006
		JP 2010-061667 A	18.03.2010
		JP 2011-065678 A	31.03.2011
		JP 3069791 U	30.06.2000
		JP 3078485 U	10.07.2001
		JP 4394664 B2	06.01.2010
		JP 4689747 B2	25.05.2011
		KR 10-0887778 B1	09.03.2009
		KR 10-0950822 B1	02.04.2010
		KR 10-1035450 B1	18.05.2011
		KR 10-2001-0108361 A	07.12.2001
		KR 10-2004-0045908 A	02.06.2004
		KR 10-2008-0096854 A	03.11.2008
		KR 10-2009-0052401 A	25.05.2009
		KR 10-2009-0082519 A	30.07.2009
		KR 10-2010-0057903 A	01.06.2010
		KR 20-0257172 Y1	29.12.2001
		KR 20-0258353 Y1	29.12.2001
		US 5576727 A	19.11.1996
		US 5701140 A	23.12.1997
		US 5721566 A	24.02.1998
		US 5731804 A	24.03.1998
		US 5734373 A	31.03.1998
		US 5767839 A	16.06.1998

INTERNATIONAL SEARCH REPORT

Information on patent family members

International application No.

PCT/US2011/038836

Patent document cited in search report	Publication date	Patent family member(s)	Publication date
		US 5805140 A	08.09.1998
		US 5880714 A	09.03.1999
		US 5903456 A	11.05.1999
		US 5929846 A	27.07.1999
		US 5956484 A	21.09.1999
		US 5959613 A	28.09.1999
		US 5999168 A	07.12.1999
		US 6028593 A	22.02.2000
		US 6046727 A	04.04.2000
		US 6057828 A	02.05.2000
		US 6061004 A	09.05.2000
		US 6078308 A	20.06.2000
		US 6088019 A	11.07.2000
		US 6100874 A	08.08.2000
		US 6101530 A	08.08.2000
		US 6125337 A	26.09.2000
		US 6125385 A	26.09.2000
		US 6147674 A	14.11.2000
		US 6154198 A	28.11.2000
		US 6154201 A	28.11.2000
		US 6161126 A	12.12.2000
		US 6166723 A	26.12.2000
		US 6169540 B1	02.01.2001
		US 6184868 B1	06.02.2001
		US 6191774 B1	20.02.2001
		US 6201533 B1	13.03.2001
		US 6211861 B1	03.04.2001
		US 6219032 B1	17.04.2001
		US 6219033 B1	17.04.2001
		US 6246390 B1	12.06.2001
		US 6252583 B1	26.06.2001
		US 6259382 B1	10.07.2001
		US 6271828 B1	07.08.2001
		US 6271833 B1	07.08.2001
		US 6278439 B1	21.08.2001
		US 6285351 B1	04.09.2001
		US 6300936 B1	09.10.2001
		US 6342880 B2	29.01.2002
		US 6343349 B1	29.01.2002
		US 6348911 B1	19.02.2002
		US 6353427 B1	05.03.2002
		US 6353850 B1	05.03.2002
		US 6366272 B1	02.04.2002
		US 6366273 B1	02.04.2002
		US 6400352 B1	04.06.2002
		US 6411276 B1	25.06.2002
		US 6424356 B2	23.07.2002
		US 6429846 B2	06.08.2002
		US 6434902 B1	20.08.2002
		US 6437771 B1	20.08.2002

INTERNATIONAL SEARCH REPORT

Information on patent family members

International application No.

PCT/US2011/038836

Patent document cited in search report	Publication date	Patent family member(s)	Publication date
		US 6448977 B1	10.09.2002
		US 6486872 B2	26.11.2002
		US 6580417 B2	17.06.2003
		US 6636161 B2	21.10.2003
		US 6636197 B1	21.10.2003
		US 6639581 B1	28.10.2003
		US 6661403 B1	09.12.2003
		US 6686901 B2	03.02.2004
		US 6686911 B1	03.02.2004
		US 6693626 B1	17.02.2004
		US 6697043 B1	24.02.2004
		US 6697044 B2	24.02.2004
		US 6697048 B2	24.02.2004
		US 6697086 B2	24.02.2004
		US 6697748 B1	24.02.2004
		US 6704001 B1	09.03.2004
		US 6707443 B2	16.03.2004
		US 6715045 B2	30.03.2004
		US 6717573 B1	06.04.2004
		US 6750877 B2	15.06.2004
		US 6774907 B1	10.08.2004
		US 6822635 B2	23.11.2004
		US 6850222 B1	01.02.2005
		US 6859819 B1	22.02.2005
		US 6956558 B1	18.10.2005
		US 6982700 B2	03.01.2006
		US 6987504 B2	17.01.2006
		US 7023423 B2	04.04.2006
		US 7027032 B2	11.04.2006
		US 7038657 B2	02.05.2006
		US 7038667 B1	02.05.2006
		US 7039866 B1	02.05.2006
		US 7054775 B2	30.05.2006
		US 7061467 B2	13.06.2006
		US 7091950 B2	15.08.2006
		US 7102541 B2	05.09.2006
		US 7106305 B2	12.09.2006
		US 7106313 B2	12.09.2006
		US 7136045 B2	14.11.2006
		US 7148875 B2	12.12.2006
		US 7158112 B2	02.01.2007
		US 7168042 B2	23.01.2007
		US 7193607 B2	20.03.2007
		US 7199790 B2	03.04.2007
		US 7209117 B2	24.04.2007
		US 7233313 B2	19.06.2007
		US 7236157 B2	26.06.2007
		US 7253803 B2	07.08.2007
		US 7265750 B2	04.09.2007
		US 7283123 B2	16.10.2007

INTERNATIONAL SEARCH REPORT

Information on patent family members

International application No.

PCT/US2011/038836

Patent document cited in search report	Publication date	Patent family member(s)	Publication date
		US 7299321 B2	20.11.2007
		US 7327348 B2	05.02.2008
		US 7423631 B2	09.09.2008
		US 7432910 B2	07.10.2008
		US 7439951 B2	21.10.2008
US 6686911 B1	03.02.2004	AU 1997-38895 B2	12.07.2001
		AU 1998-78503 B2	28.06.2001
		AU 1999-13911 A1	07.06.1999
		AU 1999-32042 A1	18.10.1999
		AU 1999-32042 B2	19.06.2003
		AU 1999-47074 A1	10.01.2000
		AU 2000-14637 A1	22.05.2000
		AU 2000-23424 A1	26.04.2000
		AU 2000-38799 A1	04.10.2000
		AU 2000-47010 A1	17.11.2000
		AU 2000-47011 A1	17.11.2000
		AU 2001-19575 A1	18.06.2001
		AU 2001-29543 A1	31.07.2001
		AU 2001-37893 A1	14.05.2001
		AU 2002-247296 A8	24.09.2002
		AU 2002-348399 A1	09.07.2003
		CA 2210725 C	08.05.2001
		CA 2223289 C	25.03.2003
		CA 2228587 A1	20.02.1997
		CA 2228587 C	01.11.2005
		CA 2233206 C	03.04.2001
		CA 2237977 C	26.03.2002
		CA 2254854 A1	27.11.1997
		CA 2254854 C	09.01.2007
		CA 2261893 C	16.04.2002
		CA 2271129 C	12.08.2003
		CA 2272553 A1	04.06.1998
		CA 2272627 A1	18.06.1998
		CA 2272627 C	04.10.2005
		CA 2278726 A1	30.07.1998
		CA 2278726 C	31.08.2004
		CA 2281923 A1	27.08.1998
		CA 2281923 C	21.08.2007
		CA 2287349 A1	05.11.1998
		CA 2287349 C	25.06.2002
		CA 2291226 A1	30.09.1999
		CA 2291226 C	22.10.2002
		CA 2294085 A1	23.12.1998
		CA 2294085 C	15.08.2006
		CA 2294128 A1	23.12.1998
		CA 2297514 A1	02.08.2000
		CA 2300899 A1	29.12.1999
		CN 1496549 A	12.05.2004
		CN 1496549 C0	12.07.2006

INTERNATIONAL SEARCH REPORT

Information on patent family members

International application No.

PCT/US2011/038836

Patent document cited in search report	Publication date	Patent family member(s)	Publication date
		CN 1571989 A	26.01.2005
		CN 1571989 C0	26.01.2005
		CN 1924775 A	07.03.2007
		CN 1924775 C0	15.10.2008
		EP 0804786 A1	05.11.1997
		EP 0804786 A4	01.04.1998
		EP 0804786 B1	31.03.2004
		EP 0836735 A1	22.04.1998
		EP 0836735 A4	14.10.1998
		EP 0836735 B1	24.08.2005
		EP 0843808 A1	17.12.2003
		EP 0843808 B1	17.12.2003
		EP 0852770 A1	15.07.1998
		EP 0852770 A4	16.12.1998
		EP 0852770 B1	15.03.2000
		EP 0852789 A1	15.07.1998
		EP 0852789 A4	09.12.1998
		EP 0852789 B1	15.11.2006
		EP 0864144 A2	16.09.1998
		EP 0864144 A4	30.01.2002
		EP 0864144 B1	08.03.2006
		EP 0870296 A1	14.10.1998
		EP 0870296 A4	17.01.2001
		EP 0870296 B1	04.02.2004
		EP 0941578 A1	15.09.1999
		EP 0943179 A1	04.05.2005
		EP 0943179 B1	07.06.2006
		EP 0951714 A2	27.10.1999
		EP 0951714 A4	09.07.2003
		EP 0958536 A1	24.11.1999
		EP 0974889 A1	26.01.2000
		EP 0974889 B1	26.03.2003
		EP 0979444 A1	16.02.2000
		EP 0979444 A4	22.12.2004
		EP 0979500 A1	16.02.2000
		EP 0995152 A1	26.04.2000
		EP 0995152 B1	10.08.2011
		EP 0995186 A2	26.04.2000
		EP 1005690 A1	07.06.2000
		EP 1012697 A1	28.06.2000
		EP 1036390 A1	20.09.2000
		EP 1036390 A4	25.10.2000
		EP 1036390 B1	03.11.2004
		EP 1046151 A1	25.10.2000
		EP 1046151 A4	25.06.2003
		EP 1066616 A2	10.01.2001
		EP 1066616 A4	02.07.2003
		EP 1066616 B1	22.09.2010
		EP 1157339 A2	28.11.2001
		EP 1157339 A4	12.03.2003

INTERNATIONAL SEARCH REPORT

Information on patent family members

International application No.

PCT/US2011/038836

Patent document cited in search report	Publication date	Patent family member(s)	Publication date
		EP 1374217 A1	02.01.2004
		EP 1424538 A1	02.06.2004
		EP 1424538 B1	07.07.2010
		EP 1440429 A1	28.07.2004
		EP 1640851 A2	29.03.2006
		EP 1988446 A1	05.11.2008
		EP 2246770 A2	03.11.2010
		EP 2246770 A3	14.09.2011
		EP 2273346 A1	12.01.2011
		EP 2309365 A2	13.04.2011
		EP 2309365 A3	20.04.2011
		GB 2343499 A	10.05.2000
		GB 2346455 A	09.08.2000
		GB 2346952 A	23.08.2000
		GB 2347990 A	20.09.2000
		GB 2348352 A	27.09.2000
		GB 2353116 A	14.02.2001
		JP 03-069791 U	05.04.2000
		JP 03-078485 U	11.04.2001
		JP 03-083070 U	24.10.2001
		JP 03-085481 U	13.02.2002
		JP 03-753744 B2	08.03.2006
		JP 03-847782 B2	22.11.2006
		JP 04-394664 B2	23.10.2009
		JP 04-689747 B2	25.02.2011
		JP 10-512983 A	08.12.1998
		JP 11-514469 A	07.12.1999
		JP 2000-515285 A	14.11.2000
		JP 2001-109558 A	20.04.2001
		JP 2004-530200 A	30.09.2004
		JP 2005-514681 A	19.05.2005
		JP 2006-286016 A	19.10.2006
		JP 2010-061667 A	18.03.2010
		JP 2011-065678 A	31.03.2011
		JP 3069791 U	30.06.2000
		JP 3078485 U	10.07.2001
		JP 4394664 B2	06.01.2010
		JP 4689747 B2	25.05.2011
		KR 10-0887778 B1	09.03.2009
		KR 10-0950822 B1	02.04.2010
		KR 10-1035450 B1	18.05.2011
		KR 10-2001-0108361 A	07.12.2001
		KR 10-2004-0045908 A	02.06.2004
		KR 10-2008-0096854 A	03.11.2008
		KR 10-2009-0052401 A	25.05.2009
		KR 10-2009-0082519 A	30.07.2009
		KR 10-2010-0057903 A	01.06.2010
		KR 20-0257172 Y1	29.12.2001
		KR 20-0258353 Y1	29.12.2001
		US 5576727 A	19.11.1996

INTERNATIONAL SEARCH REPORT

Information on patent family members

International application No.

PCT/US2011/038836

Patent document cited in search report	Publication date	Patent family member(s)	Publication date
		US 5701140 A	23. 12. 1997
		US 5721566 A	24. 02. 1998
		US 5731804 A	24. 03. 1998
		US 5734373 A	31. 03. 1998
		US 5767839 A	16. 06. 1998
		US 5805140 A	08. 09. 1998
		US 5880714 A	09. 03. 1999
		US 5903456 A	11. 05. 1999
		US 5929846 A	27. 07. 1999
		US 5956484 A	21. 09. 1999
		US 5959613 A	28. 09. 1999
		US 5999168 A	07. 12. 1999
		US 6028593 A	22. 02. 2000
		US 6046727 A	04. 04. 2000
		US 6057828 A	02. 05. 2000
		US 6061004 A	09. 05. 2000
		US 6078308 A	20. 06. 2000
		US 6088019 A	11. 07. 2000
		US 6100874 A	08. 08. 2000
		US 6101530 A	08. 08. 2000
		US 6125337 A	26. 09. 2000
		US 6125385 A	26. 09. 2000
		US 6147674 A	14. 11. 2000
		US 6154198 A	28. 11. 2000
		US 6154201 A	28. 11. 2000
		US 6161126 A	12. 12. 2000
		US 6166723 A	26. 12. 2000
		US 6169540 B1	02. 01. 2001
		US 6184868 B1	06. 02. 2001
		US 6191774 B1	20. 02. 2001
		US 6201533 B1	13. 03. 2001
		US 6211861 B1	03. 04. 2001
		US 6219032 B1	17. 04. 2001
		US 6219033 B1	17. 04. 2001
		US 6246390 B1	12. 06. 2001
		US 6252583 B1	26. 06. 2001
		US 6259382 B1	10. 07. 2001
		US 6271828 B1	07. 08. 2001
		US 6271833 B1	07. 08. 2001
		US 6278439 B1	21. 08. 2001
		US 6285351 B1	04. 09. 2001
		US 6300936 B1	09. 10. 2001
		US 6342880 B2	29. 01. 2002
		US 6343349 B1	29. 01. 2002
		US 6348911 B1	19. 02. 2002
		US 6353427 B1	05. 03. 2002
		US 6353850 B1	05. 03. 2002
		US 6366272 B1	02. 04. 2002
		US 6366273 B1	02. 04. 2002
		US 6400352 B1	04. 06. 2002

INTERNATIONAL SEARCH REPORT

Information on patent family members

International application No.

PCT/US2011/038836

Patent document cited in search report	Publication date	Patent family member(s)	Publication date
		US 6411276 B1	25.06.2002
		US 6424356 B2	23.07.2002
		US 6429846 B2	06.08.2002
		US 6434902 B1	20.08.2002
		US 6437771 B1	20.08.2002
		US 6448977 B1	10.09.2002
		US 6486872 B2	26.11.2002
		US 6580417 B2	17.06.2003
		US 6636161 B2	21.10.2003
		US 6636197 B1	21.10.2003
		US 6639581 B1	28.10.2003
		US 6661403 B1	09.12.2003
		US 6686901 B2	03.02.2004
		US 6693626 B1	17.02.2004
		US 6697043 B1	24.02.2004
		US 6697044 B2	24.02.2004
		US 6697048 B2	24.02.2004
		US 6697086 B2	24.02.2004
		US 6697748 B1	24.02.2004
		US 6704001 B1	09.03.2004
		US 6707443 B2	16.03.2004
		US 6715045 B2	30.03.2004
		US 6717573 B1	06.04.2004
		US 6750877 B2	15.06.2004
		US 6774907 B1	10.08.2004
		US 6822635 B2	23.11.2004
		US 6850222 B1	01.02.2005
		US 6859819 B1	22.02.2005
		US 6956558 B1	18.10.2005
		US 6982700 B2	03.01.2006
		US 6987504 B2	17.01.2006
		US 7023423 B2	04.04.2006
		US 7027032 B2	11.04.2006
		US 7038657 B2	02.05.2006
		US 7038667 B1	02.05.2006
		US 7039866 B1	02.05.2006
		US 7054775 B2	30.05.2006
		US 7061467 B2	13.06.2006
		US 7091950 B2	15.08.2006
		US 7102541 B2	05.09.2006
		US 7106305 B2	12.09.2006
		US 7106313 B2	12.09.2006
		US 7136045 B2	14.11.2006
		US 7148875 B2	12.12.2006
		US 7158112 B2	02.01.2007
		US 7168042 B2	23.01.2007
		US 7193607 B2	20.03.2007
		US 7199790 B2	03.04.2007
		US 7209117 B2	24.04.2007
		US 7233313 B2	19.06.2007

INTERNATIONAL SEARCH REPORT

Information on patent family members

International application No.

PCT/US2011/038836

Patent document cited in search report	Publication date	Patent family member(s)	Publication date
		US 7236157 B2	26.06.2007
		US 7253803 B2	07.08.2007
		US 7265750 B2	04.09.2007
		US 7283123 B2	16.10.2007
		US 7299321 B2	20.11.2007
		US 7327348 B2	05.02.2008
		US 7423631 B2	09.09.2008
		US 7432910 B2	07.10.2008
		US 7439951 B2	21.10.2008