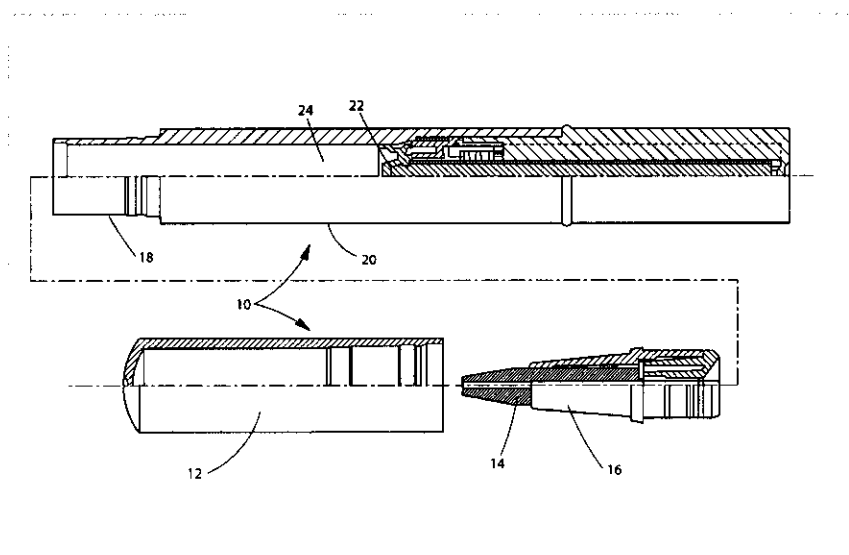
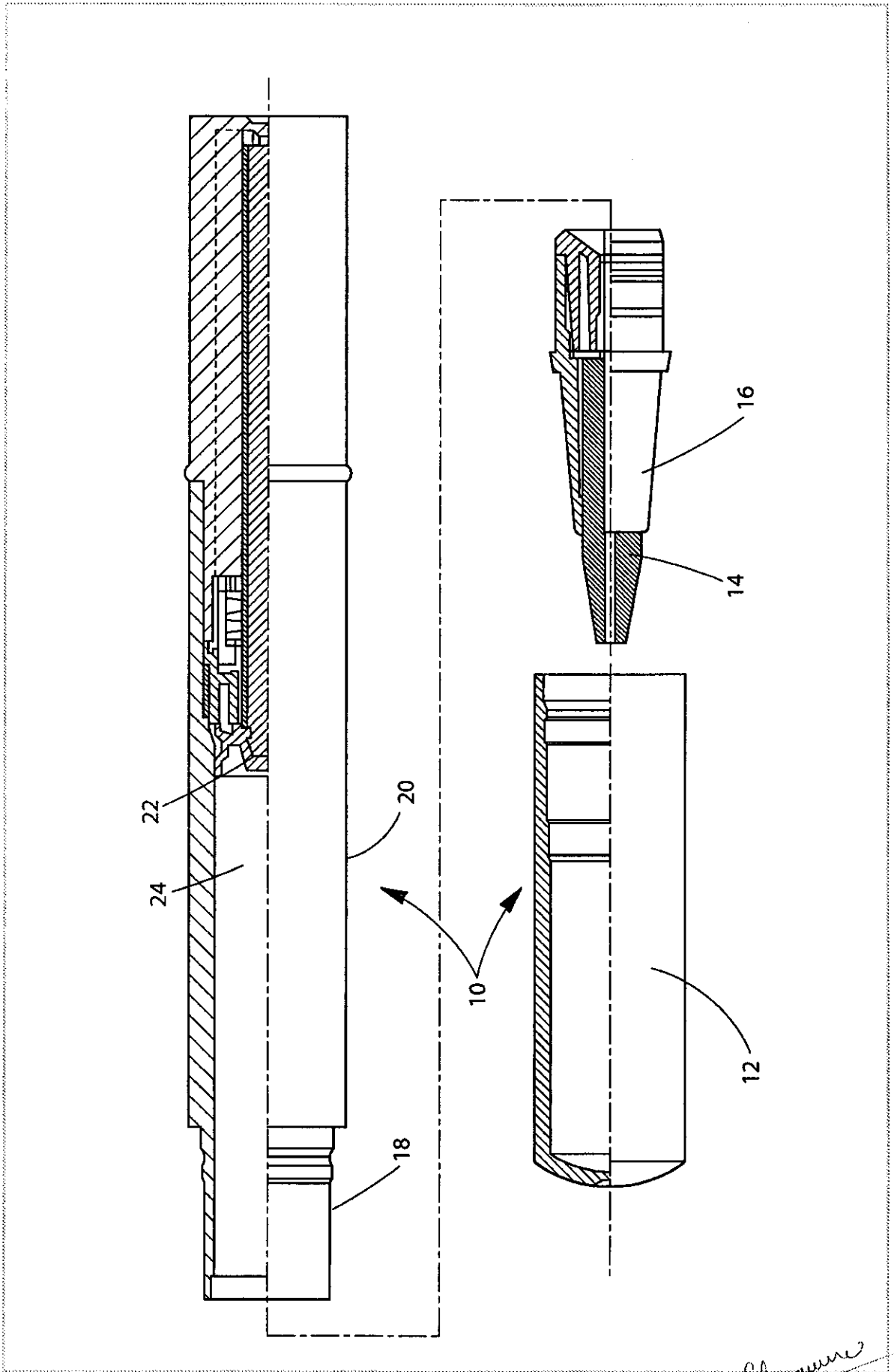


ABSTRACT

"METHODS FOR SMOOTHING WRINKLES AND SKIN TEXTURE IMPERFECTIONS"

A method for smoothing skin comprising applying a composition that has from about 0.5 to about 4% sodium silicate as measured by silica content (SiO_2) and from about 0.1% to about 4.0% of a polyvalent silicate. The composition is provided in a carrier, for example, from about 10 to 98% water, and can be in the form of a water gel or oil-in-water emulsion. A second composition is applied before or after the first composition wherein the second composition is selected from the group consisting of an oil-in-water emulsion, water-in-oil emulsion, thickened water gel, thickened oil phase, encapsulated oil phase, solid oil phase, and mixtures thereof. The polyvalent silicate can be a silicate clay selected from the group consisting of bentonite, laponite, smectite, and kaolinite.





Subramaniam