



(51) International Patent Classification:

*E01C 19/52* (2006.01)      *E01C 3/00* (2006.01)  
*E01C 19/48* (2006.01)      *E01C 5/00* (2006.01)

(21) International Application Number:

PCT/CA2017/050512

(22) International Filing Date:

26 April 2017 (26.04.2017)

(25) Filing Language:

English

(26) Publication Language:

English

(30) Priority Data:

62/327,893      26 April 2016 (26.04.2016)      US

(71) Applicant: **EPIC POLYMER SYSTEMS CORP.**  
[CA/CA]; #2 - 19695 92A Avenue, Langley, British Columbia V1M 3B3 (CA).

(72) Inventors: **FRASER, Gregory A.**; #2 - 19695 92A Avenue, Langley, British Columbia V1M 3B3 (CA). **FRASER, Graeme K.**; #2 - 19695 92A Avenue, Langley, British Columbia V1M 3B3 (CA). **GUCKEL, Christian**; #2 - 19695 92A Avenue, Langley, British Columbia V1M 3B3 (CA).

(74) Agent: **RIPLEY, Roch**; Gowling WLG (Canada) LLP, Suite 2300 - 550 Burrard Street, Vancouver, British Columbia V6C 2B5 (CA).

(81) Designated States (unless otherwise indicated, for every kind of national protection available): AE, AG, AL, AM, AO, AT, AU, AZ, BA, BB, BG, BH, BN, BR, BW, BY, BZ, CA, CH, CL, CN, CO, CR, CU, CZ, DE, DJ, DK, DM, DO, DZ, EC, EE, EG, ES, FI, GB, GD, GE, GH, GM, GT, HN, HR, HU, ID, IL, IN, IR, IS, JP, KE, KG, KH, KN, KP, KR, KW, KZ, LA, LC, LK, LR, LS, LU, LY, MA, MD, ME, MG, MK, MN, MW, MX, MY, MZ, NA, NG, NI, NO, NZ, OM, PA, PE, PG, PH, PL, PT, QA, RO, RS, RU, RW, SA, SC, SD, SE, SG, SK, SL, SM, ST, SV, SY, TH, TJ, TM, TN, TR, TT, TZ, UA, UG, US, UZ, VC, VN, ZA, ZM, ZW.

(84) Designated States (unless otherwise indicated, for every kind of regional protection available): ARIPO (BW, GH, GM, KE, LR, LS, MW, MZ, NA, RW, SD, SL, ST, SZ, TZ, UG, ZM, ZW), Eurasian (AM, AZ, BY, KG, KZ, RU, TJ, TM), European (AL, AT, BE, BG, CH, CY, CZ, DE, DK, EE, ES, FI, FR, GB, GR, HR, HU, IE, IS, IT, LT, LU, LV, MC, MK, MT, NL, NO, PL, PT, RO, RS, SE, SI, SK, SM, TR), OAPI (BF, BJ, CF, CG, CI, CM, GA, GN, GQ, GW, KM, ML, MR, NE, SN, TD, TG).

(54) Title: APPARATUS FOR LAYING A PAVER

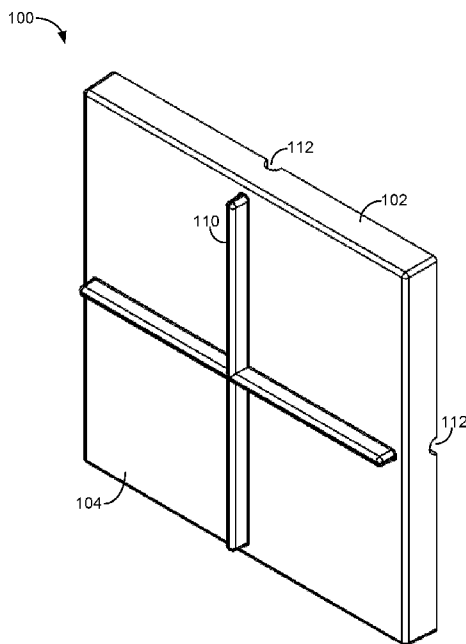


FIG. 1

(57) Abstract: An apparatus for laying a paver has a body portion having a top side and an underside. A raised paver guide is located on the top side and is positioned to receive the paver when the paver is against the top side. The underside is at least partially hollow.



**Published:**

— *with international search report (Art. 21(3))*

## APPARATUS FOR LAYING A PAVER

### TECHNICAL FIELD

**[0001]** The present disclosure is directed at an apparatus for laying a paver.

### BACKGROUND

5 **[0002]** Pavers are blocks, such as paving stones, flagstones, tiles, and bricks, that can be dry laid to manufacture a surface. That surface may, for example, be the surface of a patio, roof deck, or balcony. Various techniques exist for aligning and laying pavers so that the resulting manufactured surface comprises consistently spaced pavers and can be manufactured with relative ease.

10

### SUMMARY

**[0003]** According to a first aspect, there is provided an apparatus for laying a paver. The apparatus comprises a body portion having a top side and an underside, the underside comprising a hollow portion; and a raised paver guide located on the top side, the raised paver guide positioned to receive the paver when the paver is against the top side.

15 **[0004]** The hollow portion may comprise a paver guide receiver shaped to receive the raised paver guide such that a first instance of the apparatus is stackable on a second instance of the apparatus by inserting the raised paver guide of the second instance of the apparatus into the paver guide receiver of the first instance of the apparatus.

**[0005]** The body portion may be shaped as a closed curve, such as a circle, disc, or oval.

20 **[0006]** The body portion may be shaped as a polygon, and the paver guide receiver may comprise a channel that extends from one side of the polygon to another side of the polygon.

**[0007]** The polygon may be a square or rectangle, and the channel may extend from one side of the square or rectangle to an opposing side of the square or rectangle.

[0008] The raised paver guide and the paver guide receiver may be cruciform and centered on the top side and underside of the body portion, respectively.

[0009] The paver guide may taper from a maximum height at a center of the body portion to a minimum height at a periphery of the body portion.

5 [0010] The paver guide may comprise continuous lines. Alternatively, the paver guide may comprise discrete line segments. At least some of the line segments may be aligned with each other.

[0011] The underside may comprise support columns, each of which may comprise a hollow interior and may extend from the top side to the underside. The hollow portion may  
10 comprise the hollow interior of each of the support columns.

[0012] Each of the support columns may have a hexagonal footprint. Each of the support columns may alternatively have a circular footprint.

[0013] The body portion and raised paver guide may be manufactured using an elastomeric polymer.

15 [0014] According to another aspect, there is provided an apparatus for laying a paver. The apparatus comprises a square body portion having a top side and an underside; a raised, cruciform paver guide located on the top side, the raised paver guide centered on the top side and positioned to receive the paver when the paver is against the top side, and the underside comprises a paver guide receiver centered on the underside and shaped to receive the raised paver guide. The paver  
20 guide receiver comprises a first channel extending between one pair of opposing sides of the body portion and a second channel extending between another pair of opposing sides of the body portion, and the first and second channels intersect at a center of the underside. The underside also comprises hexagonal support columns, each of which has a hollow interior and extends from the top side to the underside.

25 [0015] According to another aspect, there is provided a surface, comprising multiple apparatuses for laying a paver, wherein each of the apparatuses is laid on a substrate and comprises

a body portion having a top side and an underside, the underside comprising a hollow portion; and a raised paver guide located on the top side, the raised paver guide positioned to receive the paver when the paver is against the top side. The surface also comprises pavers laid on the top side of each the apparatuses, and each of the pavers is received by at least one of the raised paver guides.

5 [0016] This summary does not necessarily describe the entire scope of all aspects. Other aspects, features and advantages will be apparent to those of ordinary skill in the art upon review of the following description of specific embodiments.

#### BRIEF DESCRIPTION OF THE DRAWINGS

10 [0017] In the accompanying drawings, which illustrate one or more example embodiments:

[0018] FIG. 1 is a top perspective view of an apparatus for laying a paver, according to one example embodiment.

[0019] FIG. 2 is a bottom perspective view of the apparatus of FIG. 1.

[0020] FIG. 3 is a top plan view of the apparatus of FIG. 1.

15 [0021] FIG. 4 is a partial cutaway, right side elevation view of the apparatus of FIG. 1.

[0022] FIG. 5 is a bottom plan view of the apparatus of FIG. 1.

[0023] FIG. 6 shows a surface manufactured with pavers laid using multiple instances of the apparatus of FIG. 1.

#### DETAILED DESCRIPTION

20 [0024] Pavers may be used to manufacture a variety of different types of surfaces. In one example in which the surface is laid directly on soil, the soil is excavated, compacted, and levelled prior to the pavers being set on it. The pavers are then set and sand is used to fill the spaces between the pavers. The sand and pavers are tamped, excess sand is swept away, and the resulting surface is ready for use.

[0025] FIGS. 1 to 6 show an example apparatus for laying a paver P. In the depicted embodiment, the apparatus comprises a pad 100 of elastomeric material, such as a rubber polymer that may be recycled, that is cast from a mold. The pad 100 comprises a main body portion 102 having a top side 104 and an underside 106. The underside 106 of the pad 100 rests on a substrate S when the pad 100 is used to lay pavers P, while the pavers P are laid against the top side 104 of the pad 100.

[0026] A raised paver guide 110 is located on the pad's 100 top side 104. In the depicted embodiment, the paver guide 110 is cruciform and is centered on the center of the pad 100. The pad's 100 underside 106 includes a hollow portion in the form of a paver guide receiver; the paver guide receiver in the depicted embodiments is a pair of cruciform channels 112 that are also centered on the center of the pad 100. The channels 112 and paver guide 110 are shaped and positioned such that a first instance of the pad 100 is stackable on a second instance of the pad 100 by inserting the paver guide 110 of the second instance of the pad 100 into the channels 112 of the first instance of the pad 100. Stacking the pads 100 in this way facilitates space efficient transport of the pads 100.

[0027] The paver guide 110 in the depicted embodiment of the pad 100 comprises two continuous and linear raised portions that intersect at the center of the body portion 102 of the pad 100, thereby creating a cruciform paver guide 110. The channels 112 on the underside 106 of the pad 100 are accordingly similarly cruciform.

[0028] The underside 106 of the pad 100 also comprises multiple support columns 114, each of which has a hollow interior. The hollow portion on the underside 106 of the pad 100 comprises the hollow interior of each of the support columns 114. In the depicted embodiment of the pad 100, each of the support columns 114 that is not bounded by one or both of the channels 112 and the periphery of the pad 100 has a hexagonal footprint and the columns 114 accordingly collectively give the underside 106 a honeycomb shaped appearance. In different embodiments (not depicted), one or more of the support columns 114 may have differently shaped footprints; for example, in one different embodiment one or more of the support columns 114 may have a circular footprint, while in another different embodiment the support columns 114 may have non-hexagonal polygonal footprints. In certain other embodiments (not depicted), the support columns

114 may comprise two or more different footprints. In certain other embodiments (not depicted), the underside 106 of the pad 100 may not comprise any repeating pattern. In certain other embodiments (not depicted), the support columns 114 may have a filled or solid interior, and the space between the support columns 114 may be hollow and accordingly comprise the underside's  
5 106 hollow portion.

[0029] FIGS. 3 to 5 show the dimensions of an example pad 100 in inches. As shown in these figures, the depicted pad 100 has a square body portion 102 with sides of 5.840 inches and a height of 0.5 inches. The length of the paver guide 110 from one of the sides of the pad 100 to an opposing side of the pad 100 is 5.570 inches. The width of the paver guide 110 at its base is 0.145  
10 inches while the height of the paver guide 110 is 0.280 inches. Each of the support columns 114 has a height of 0.444 inches. The thickness of the outer wall of the pad 100, which also acts as a wall for some of the support columns 114, is an eighth of an inch, while the thicknesses of the other walls of the support columns 114 is 0.120 inches. The length between the interior of opposing sides of the underside 106 of the pad 100 is  $5 \frac{23}{32}$  inches. At its widest, the channels 112 have a  
15 width of 0.232 inches. In different embodiments any one or more dimensions of the pad 100 may differ from those of the depicted example pad 100.

[0030] FIG. 6 shows an example surface being constructed using multiple pads 100. In FIG. 6, four of the pads 100 are used to lay three of the pavers P. The pads 100 are laid on a firm substrate S, such as packed soil or a rooftop. Each of the pavers P is positioned to lay flat against  
20 a portion of the top surface of at least one of the pads 100. The leftmost paver P in FIG. 6 is positioned to lay on the bottom left and top left quadrants of the leftmost pads 100; the middle paver P in FIG. 6 is positioned to lay on the bottom right quadrant of the top left pad 100, the bottom left quadrant of the top right pad 100, the top right quadrant of the bottom left pad 100, and the top left quadrant of the bottom right pad 100; and the rightmost paver P in FIG. 6 is positioned  
25 to lay on the bottom right and top right quadrants of the rightmost pads 100. The pavers P are pressed horizontally against the paver guides 110, thus helping to ensure consistent spacing between the pavers P. Furthermore, the elastomeric polymer has a relatively high coefficient of friction compared to other potential raw materials, such as hard plastic, thus inhibiting movement of the pavers P while they rest on the pad 100. Furthermore, the elastomeric polymer is inherently

flexible and a shock and noise absorbing material; the pad 100 depicted in FIGS. 1 to 5 accordingly has anti-vibration properties and experimentally has been found to withstand a total load exceeding 12,000 pounds, which when the pad 100 measures 6" x 6" is equivalent to over 350 psi. The resulting surface manufactured using the pavers P and the pads 100 accordingly is stable, able to absorb shock, comprises equally spaced pavers P, and does not require any adhesive or bonding agent. Additionally, the channels 112 on the underside 106 of the pads 100 may help with drainage in that they may help to channel runoff along the substrate S to a drainage area (not shown). The corners of the surface manufactured using the pavers P may be spaced higher than the rest of the surface to facilitate water runoff.

10 **[0031]** Although not depicted in FIG. 6, shims may be used to adjust the heights of one or more of the pavers 100 in order to adjust the height of the surface manufactured using the pavers P, as desired. For example, if the substrate S is not level, shims may be used to adjust the height of the pavers P so that the resulting manufactured surface is nonetheless level.

15 **[0032]** As depicted, the pad 100 is square and the channels 112 connect all four sides of the pad 100. However, in different embodiments (not depicted) different types of paver guide receivers may be used and, additionally or alternatively, the pad 100 may be a non-square shape. For example, more generally in certain embodiments the pad 100 may be polygonal and may comprise a channel 112 that extends from one side of the pad 100 to another side of the pad 100; in a subset of these embodiments, the channel 112 may extend between two sides of the pad 100 that are not directly adjacent to each other. For example, as evident particularly in FIGS. 2 and 5, the cruciform channels 112 of the depicted pad 100 comprise one channel 112 that extends between a first pair of opposing sides of the pad 100 and a second channel 112 that extends between a second pair of opposing sides of the pad 100; in different embodiments of the pad 100 (not depicted), the pad 100 may comprise only one of the pairs of channels 112 shown in FIGS. 2 and 25 5. Similarly, the pad 100 in certain embodiments may be rectangular and comprise either a pair of channels 112 extending between opposing sides of the pad 100, similar to what is shown in FIGS. 2 and 5, or comprise only one of the pairs of channels 112.

**[0033]** The paver guide 110 shown in the figures has substantially constant height along its length. However, in different embodiments (not depicted), the paver guide 110 may vary in

height. For example, in one embodiment the paver guide 110 may be cruciform and centered on the pad 100 and have a maximum height at a center of the body portion 102 and taper to a minimum height at a periphery of the body portion 102. In another different embodiment (not depicted), the paver guide 110 may comprise discrete line segments as opposed to the continuous lines shown in FIGS. 1 to 5; in some embodiments, these discrete line segments may be aligned so as to permit alignment of pavers P in a manner similar to that permitted by the depicted continuous paver guide 110. In various other embodiments (not depicted), the paver guide 110 may be any one or more of shaped differently to accept non-square or non-rectangular pavers, not centered on the pad 100, and differently shaped to allow a single one of the pavers P to cover more or less than the approximately one quarter of the top side 104 of the pad 100 that the paver guide 110 of the pad 100 of FIGS. 1 to 5 allows. For example, in one different embodiment (not depicted) the paver guide 110 of the depicted pad 100 is rotated by 45 degrees so that the paver guide 110 extends across the pad's 100 corners. Additionally or alternatively, the pad 100 may be cut so as to permit only portions of the pad 100 to be used for certain portions of the surface (e.g., corners).

**[0034]** In different embodiments (not depicted), the apparatus may be manufactured differently than as shown in FIGS. 1 to 6. For example, instead of comprising a pad of elastomeric material cast from a mold, the apparatus may be assembled from distinct components that are one or both of fitted and fastened together. Alternatively, the apparatus may be unibody but manufactured differently than as described above, such as by using injection molding, compression molding, or 3D printing.

**[0035]** Directional terms such as “top”, “bottom”, “upwards”, “downwards”, “vertically”, and “laterally” are used in this disclosure for the purpose of providing relative reference only, and are not intended to suggest any limitations on how any article is to be positioned during use, or to be mounted in an assembly or relative to an environment.

**[0036]** Additionally, the term “couple” and variants of it such as “coupled”, “couples”, and “coupling” as used in this disclosure are intended to include indirect and direct connections unless otherwise indicated. For example, if a first article is coupled to a second article, that coupling may be through a direct connection or through an indirect connection via another article.

[0037] Furthermore, the singular forms “a”, “an”, and “the” as used in this disclosure are intended to include the plural forms as well, unless the context clearly indicates otherwise.

[0038] It is contemplated that any part of any aspect or embodiment discussed in this specification can be implemented or combined with any part of any other aspect or embodiment  
5 discussed in this specification.

[0039] While particular embodiments have been described in the foregoing, it is to be understood that other embodiments are possible and are intended to be included herein. It will be clear to any person skilled in the art that modifications of and adjustments to the foregoing embodiments, not shown, are possible.

## CLAIMS

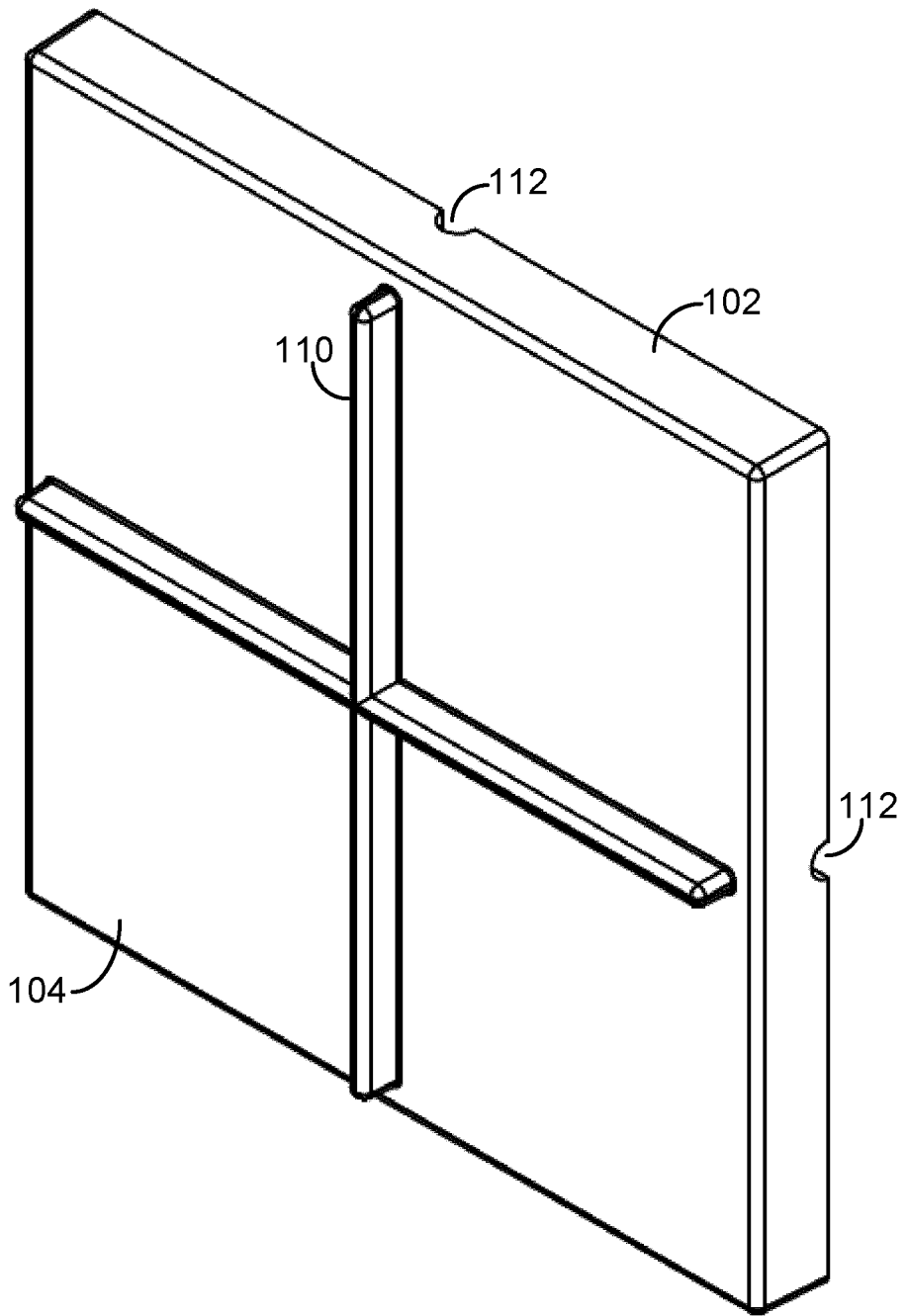
1. An apparatus for laying a paver, the apparatus comprising:
  - (a) a body portion having a top side and an underside, the underside comprising a hollow portion; and
  - 5 (b) a raised paver guide located on the top side, the raised paver guide positioned to receive the paver when the paver is against the top side.
2. The apparatus of claim 1 wherein the hollow portion comprises a paver guide receiver shaped to receive the raised paver guide such that a first instance of the apparatus is stackable on a second instance of the apparatus by inserting the raised paver guide of the  
10 second instance of the apparatus into the paver guide receiver of the first instance of the apparatus.
3. The apparatus of claim 1 or 2 wherein the body portion is shaped as a closed curve.
4. The apparatus of claim 1 or 2 wherein the body portion is shaped as a polygon, and wherein the paver guide receiver comprises a channel that extends from one side of the polygon to  
15 another side of the polygon.
5. The apparatus of claim 4 wherein the polygon is a square or rectangle, and wherein the channel extends from one side of the square or rectangle to an opposing side of the square or rectangle.
6. The apparatus of claim 5 wherein the raised paver guide and the paver guide receiver are cruciform and centered on the top side and underside of the body portion, respectively.  
20
7. The apparatus of claim 6 wherein the paver guide tapers from a maximum height at a center of the body portion to a minimum height at a periphery of the body portion.
8. The apparatus of claim 6 wherein the paver guide comprises continuous lines.

9. The apparatus of claim 6 wherein the paver guide comprises discrete line segments, wherein at least some of the line segments are aligned with each other.
10. The apparatus of any one of claims 1 to 9 wherein the underside comprises support columns, each of which has a hollow interior and extends from the top side to the underside, and wherein the hollow portion comprises the hollow interior of each of the support columns.
11. The apparatus of claim 10 wherein each of the support columns has a hexagonal footprint.
12. The apparatus of claim 10 wherein each of the support columns has a circular footprint.
13. The apparatus of any one of claims 1 to 12 wherein the body portion and raised paver guide are manufactured using an elastomeric polymer.
14. An apparatus for laying a paver, the apparatus comprising:
- (a) a square body portion having a top side and an underside;
  - (b) a raised, cruciform paver guide located on the top side, the raised paver guide centered on the top side and positioned to receive the paver when the paver is against the top side, and
- wherein the underside comprises:
- (c) a paver guide receiver centered on the underside and shaped to receive the raised paver guide, wherein the paver guide receiver comprises a first channel extending between one pair of opposing sides of the body portion and a second channel extending between another pair of opposing sides of the body portion, wherein the first and second channels intersect at a center of the underside; and
  - (d) hexagonal support columns, each of which has a hollow interior and extends from the top side to the underside.
15. A surface, comprising:

- 5
- (a) multiple apparatuses for laying a paver, wherein each of the apparatuses is laid on a substrate and comprises:
    - (i) a body portion having a top side and an underside, the underside comprising a hollow portion; and
    - (ii) a raised paver guide located on the top side, the raised paver guide positioned to receive the paver when the paver is against the top side; and
  - (b) pavers laid on the top side of each the apparatuses, wherein each of the pavers is received by at least one of the raised paver guides.



100

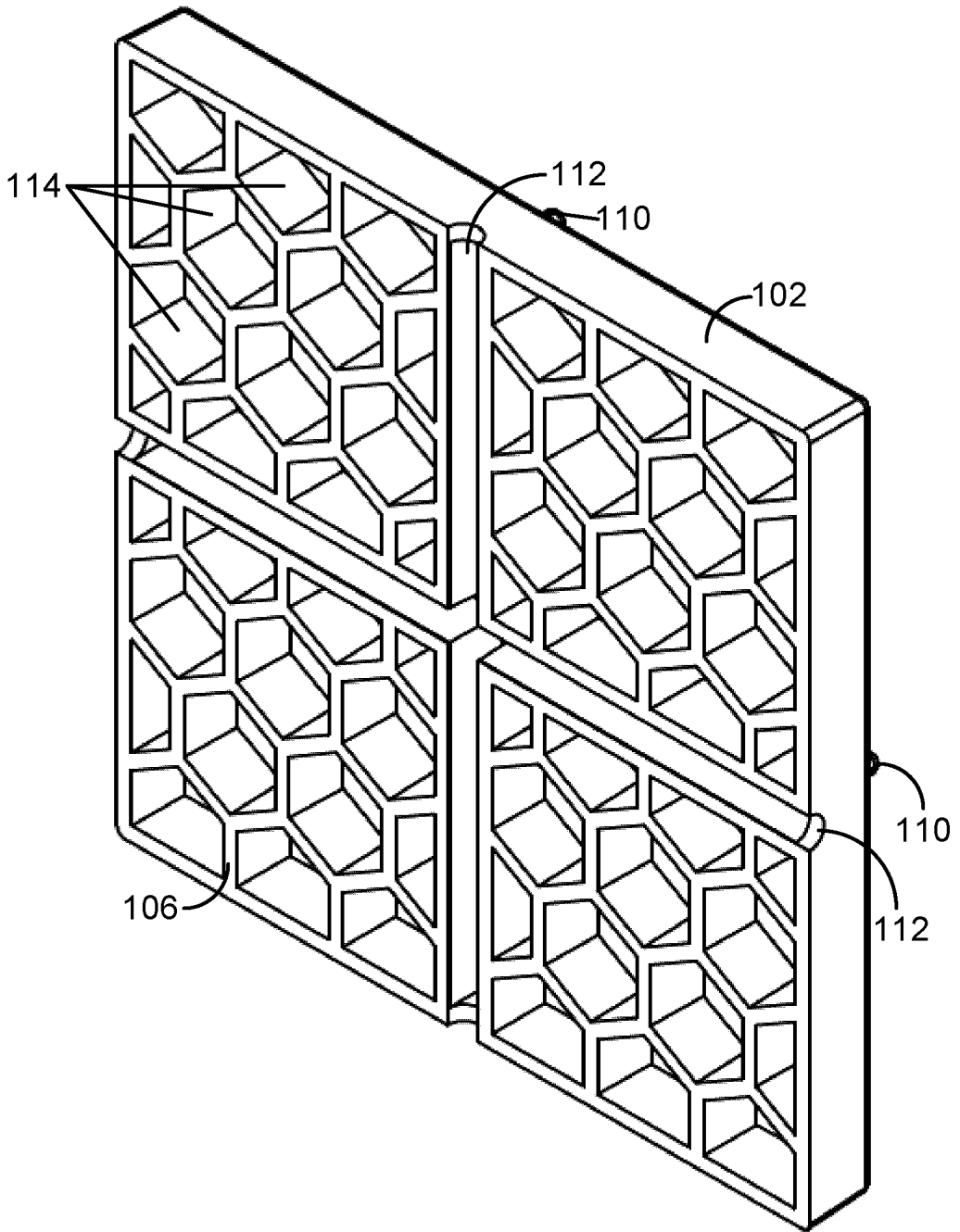


**FIG. 1**





100



**FIG. 2**



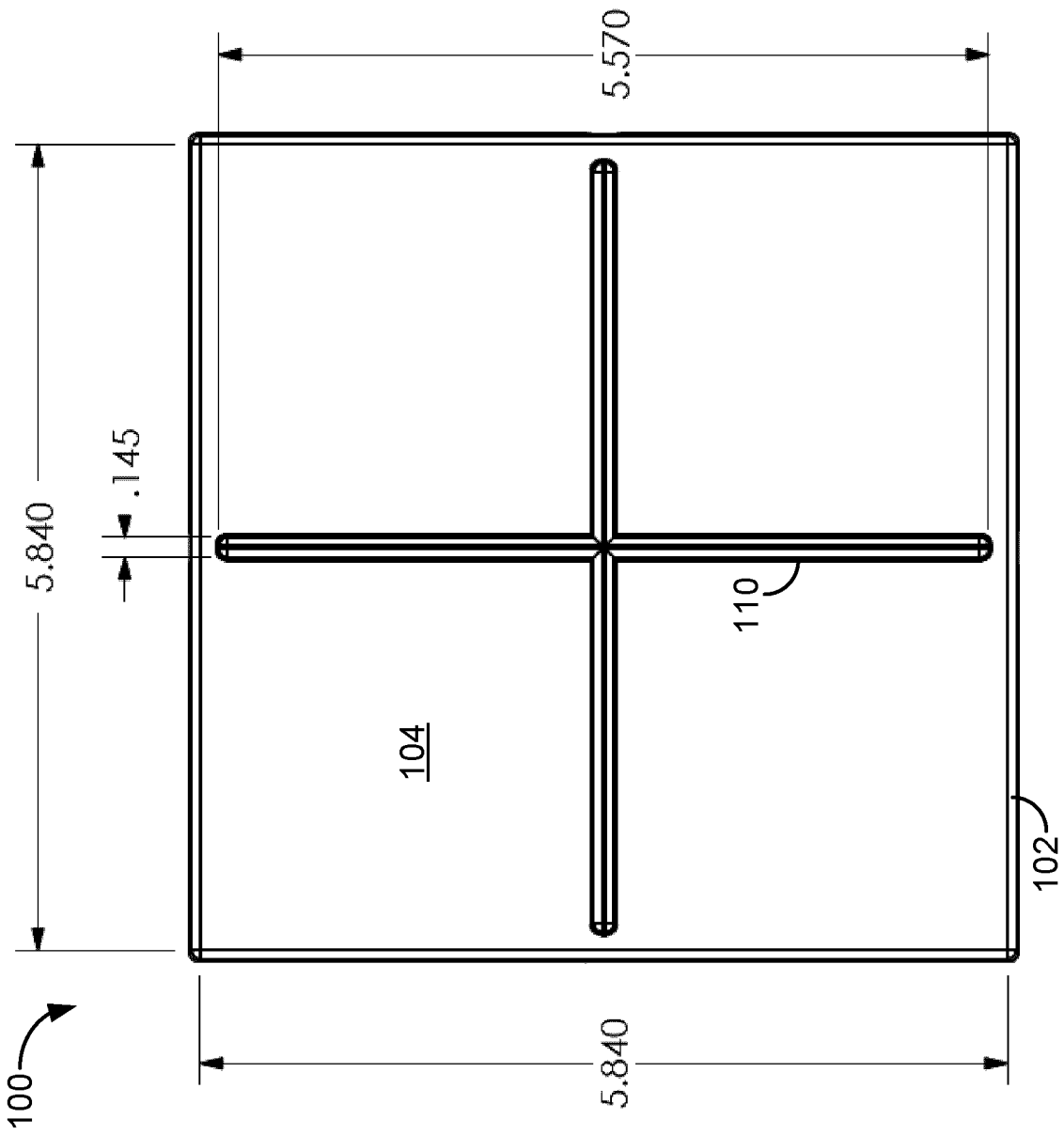
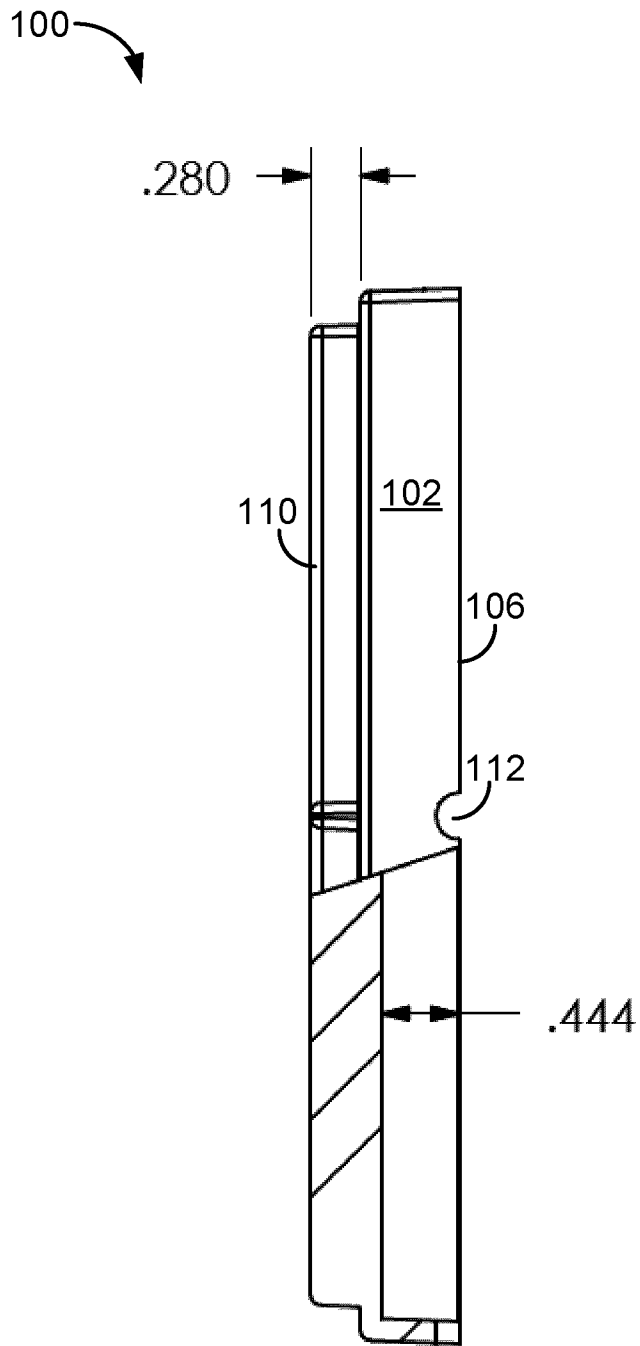


FIG. 3

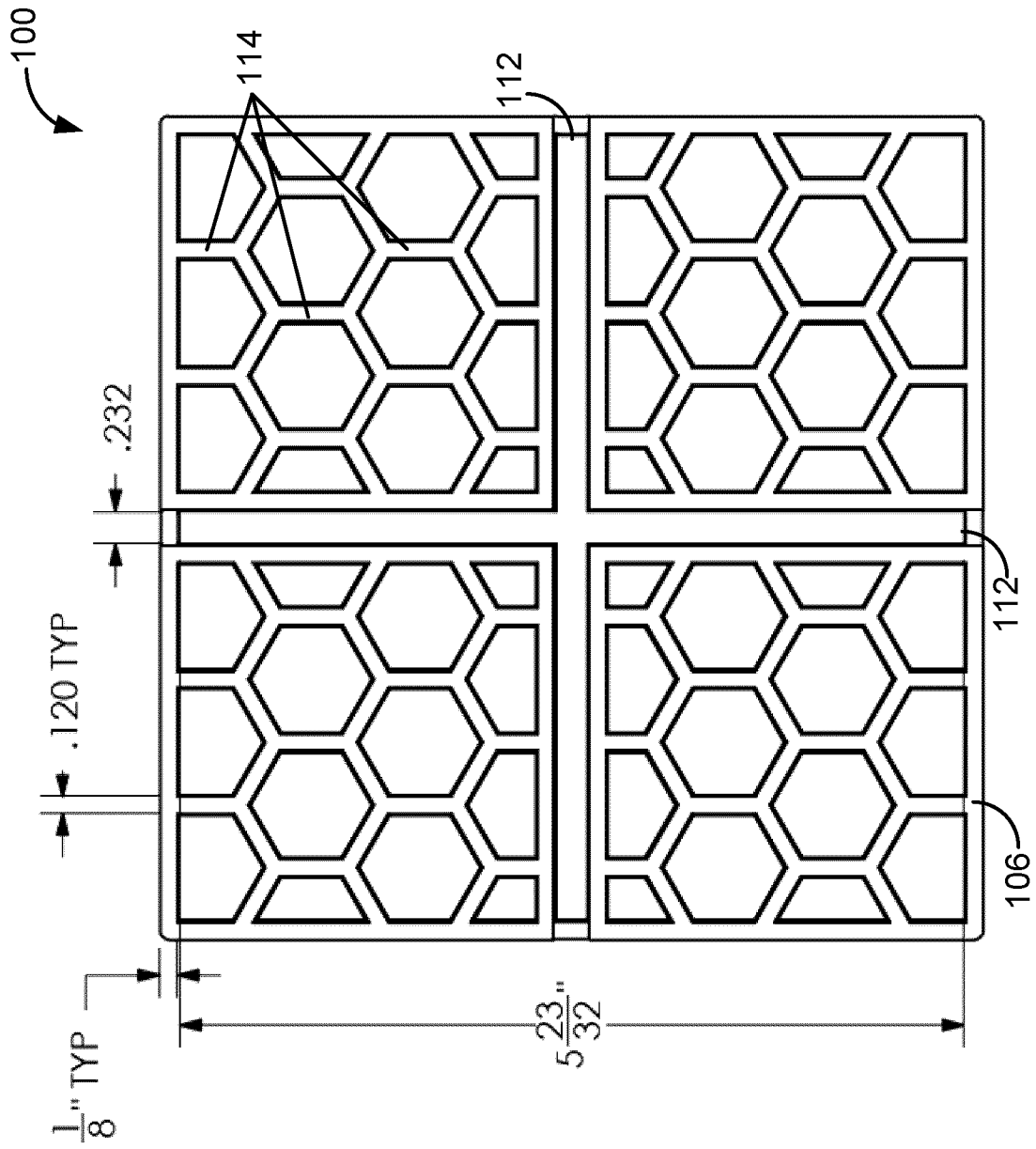
+

+



**FIG. 4**





**FIG. 5**

+

+

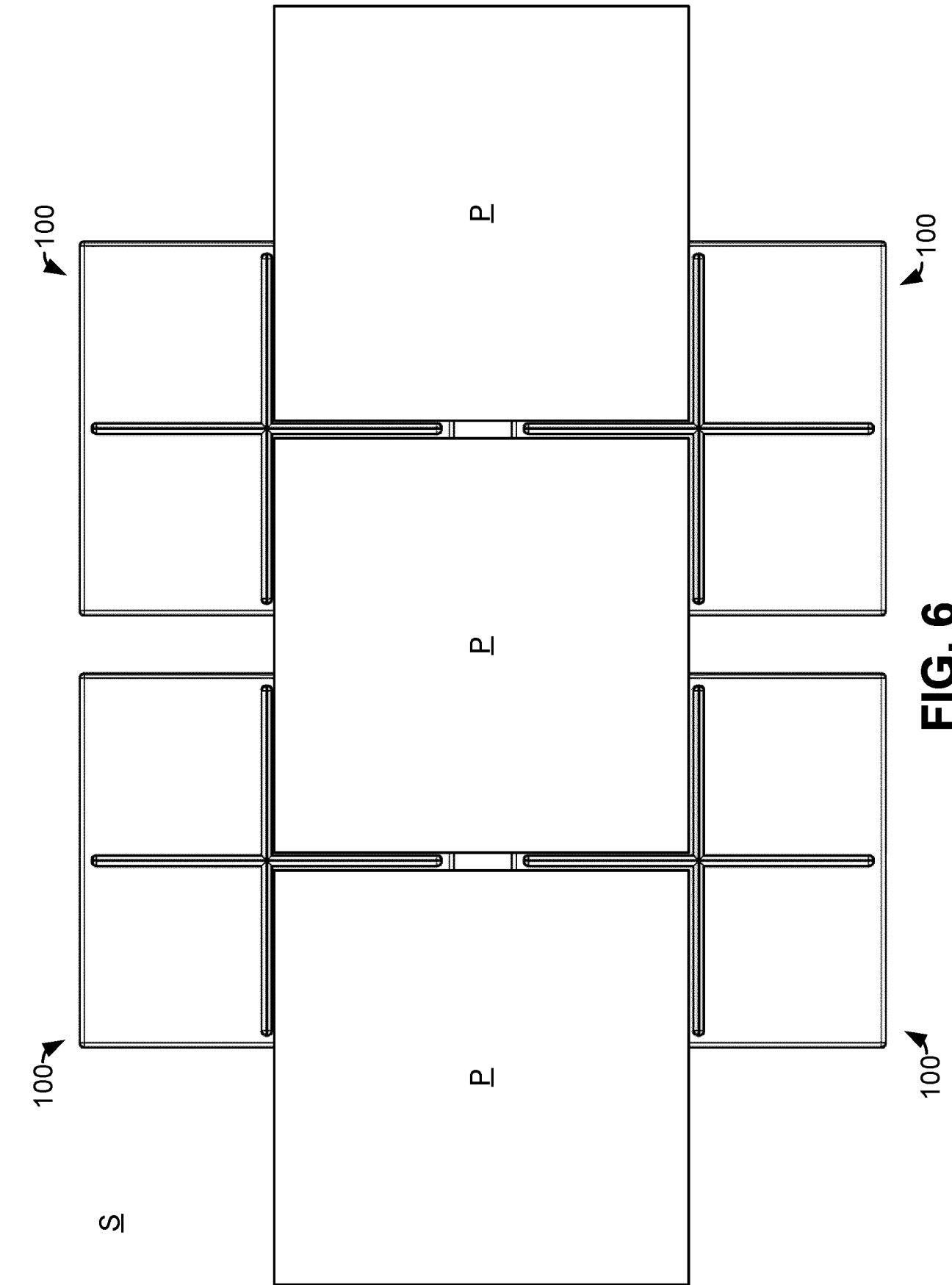


FIG. 6

## INTERNATIONAL SEARCH REPORT

International application No.

**PCT/CA2017/050512**

## A. CLASSIFICATION OF SUBJECT MATTER

IPC: *E01C 19/52* (2006.01), *E01C 19/48* (2006.01), *E01C 3/00* (2006.01), *E01C 5/00* (2006.01)

According to International Patent Classification (IPC) or to both national classification and IPC

## B. FIELDS SEARCHED

Minimum documentation searched (classification system followed by classification symbols)  
: *E01C 19/52* (2006.01), *E01C 19/48* (2006.01), *E01C 3/00* (2006.01), *E01C 5/00* (2006.01)

Documentation searched other than minimum documentation to the extent that such documents are included in the fields searched

Electronic database(s) consulted during the international search (name of database(s) and, where practicable, search terms used)

Questel-Orbit (Fampat)

(Keywords: paver, guide, spacer, grid, brick, stone, stacking, nesting, indentation, protrusion, pin, dimple, bump)

## C. DOCUMENTS CONSIDERED TO BE RELEVANT

Category*	Citation of document, with indication, where appropriate, of the relevant passages	Relevant to claim No.
X	US7344334 B2 (THORKELSON, S.) 18 March 2008 (18-03-2008) *Abstract; Figs. 1-29; Col. I, line 64 – Col. 14, line 7; Claims*	1 to 15
A	US2010260545A1 (VAN CAMP, G. L. P.) 14 October 2010 (14-10-2010) *Whole document*	1 to 15
A	US2012034030A1 (SMITH, S. G., et al.) 09 February 2012 (09-02-2012) *Whole document*	1 to 15
A	CN204238089U (YAO, F.) 01 April 2015 (01-04-2015) *Whole document*	1 to 15
A	WO0233178A1 (CHIDA, S.) 25 April 2002 (25-04-2002) *Whole document*	1 to 15

 Further documents are listed in the continuation of Box C. See patent family annex.

* "A" "E" "L" "O" "P"	Special categories of cited documents: document defining the general state of the art which is not considered to be of particular relevance earlier application or patent but published on or after the international filing date document which may throw doubts on priority claim(s) or which is cited to establish the publication date of another citation or other special reason (as specified) document referring to an oral disclosure, use, exhibition or other means document published prior to the international filing date but later than the priority date claimed	"T" "X" "Y" "&"	later document published after the international filing date or priority date and not in conflict with the application but cited to understand the principle or theory underlying the invention document of particular relevance; the claimed invention cannot be considered novel or cannot be considered to involve an inventive step when the document is taken alone document of particular relevance; the claimed invention cannot be considered to involve an inventive step when the document is combined with one or more other such documents, such combination being obvious to a person skilled in the art document member of the same patent family
--------------------------------------	--	--------------------------	--

Date of the actual completion of the international search  
17 July 2017 (17-07-2017)Date of mailing of the international search report  
02 August 2017 (02-08-2017)Name and mailing address of the ISA/CA  
Canadian Intellectual Property Office  
Place du Portage I, C114 - 1st Floor, Box PCT  
50 Victoria Street  
Gatineau, Quebec K1A 0C9  
Facsimile No.: 819-953-2476

Authorized officer

Colin Watts (819) 639-7669

## INTERNATIONAL SEARCH REPORT

International application No.

**PCT/CA2017/050512**

C (Continuation). DOCUMENTS CONSIDERED TO BE RELEVANT		
Category*	Citation of document, with indication, where appropriate, of the relevant passages	Relevant to claim No.
A	DE202014106285U1 (BARTH, A, et al. ) 16 July 2015 (16-07-2015) *Whole document*	1 to 15
A	JP2003166245A (MATSHUSHITA, H., et al.) 13 June 2003 (13-06-2003) *Whole document*	1 to 15

**INTERNATIONAL SEARCH REPORT**  
Information on patent family members

International application No.

**PCT/CA2017/050512**

Patent Document Cited in Search Report	Publication Date	Patent Family Member(s)	Publication Date
US 7344334 B2	18 March 2008 (18-03-2008)	US2007269265A1 WO2007137036A2 WO2007137036A3	22 November 2007 (22-11-2007) 29 November 2007 (29-11-2007) 21 August 2008 (21-08-2008)
US 2010260545 A1	14 October 2010 (14-10-2010)	US2010260545A1 EP2188453A1 JP2010539355A WO2009034107A1	14 October 2010 (14-10-2010) 26 May 2010 (26-05-2010) 16 December 2010 (16-12-2010) 19 March 2009 (19-03-2009)
US 2012034030 A1	09 February 2012 (09-02-2012)	US2012034030A1 US8696234B2 US2014186114A1 US9011036B2 US2015259860A1 US9175445B2 WO2010102143A1	09 February 2012 (09-02-2012) 15 April 2014 (15-04-2014) 03 July 2014 (03-07-2014) 21 April 2015 (21-04-2015) 17 September 2015 (17-09-2015) 03 November 2015 (03-11-2015) 10 September 2010 (10-09-2010)
CN 204238089 U	01 April 2015 (01-04-2015)	None	
WO 0233178 A1	25 April 2002 (25-04-2002)	None	
DE 202014106285 U1	16 July 2015 (16-07-2015)	DE102015115968 CA2970706A WO2016107621	30 June 2016 (30-06-2016) 22 September 2016 (22-09-2016) 7 July 2016 (07-07-2016)
JP 2003166245 A	13 June 2003 (13-06-2003)	None	