



US0D1024404S

(12) **United States Design Patent**  
**Wu**

(10) **Patent No.:** **US D1,024,404 S**

(45) **Date of Patent:** **\*\* Apr. 23, 2024**

(54) **TABLE LAMP**

(71) Applicant: **Jiangxi Maitao Trading Co., Ltd.,**  
Nanchang (CN)

(72) Inventor: **Wenqi Wu,** Nanchang (CN)

(73) Assignee: **Jiangxi Maitao Trading Co., Ltd.,**  
Nanchang (CN)

(\*\*) Term: **15 Years**

(21) Appl. No.: **29/882,026**

(22) Filed: **Jan. 10, 2023**

(30) **Foreign Application Priority Data**

Oct. 13, 2022 (EM) ..... 009204191-0003

(51) **LOC (14) Cl.** ..... **26-05**

(52) **U.S. Cl.**  
USPC ..... **D26/93; D26/110**

(58) **Field of Classification Search**

USPC ..... D26/24, 34, 61, 62, 63, 85, 89, 92, 93,  
D26/104, 105, 106, 107, 108, 110, 112,  
D26/118, 120, 123, 124, 128, 135;  
D16/136, 237, 244, 250  
CPC .... F21S 6/00; F21S 6/002; F21S 6/003; F21S  
6/004; F21S 6/005; F21S 6/006; F21S  
6/007; F21S 6/008; F21S 8/00; F21S  
8/03; F21S 8/08; F21S 8/06; F21S 8/032;  
F21S 8/035; F21S 8/036; F21S 8/063;  
F21W 2131/00; F21W 2131/30; F21W  
2131/302; F21V 3/00; F21V 3/02; F21V  
3/061; F21V 1/00; F21V 1/04; F21V  
1/10; F21V 1/20

See application file for complete search history.

(56) **References Cited**

**U.S. PATENT DOCUMENTS**

D625,039 S \* 10/2010 Citterio ..... D26/110  
D642,320 S \* 7/2011 Eusterbrock ..... D26/93

D650,510 S \* 12/2011 Jensen ..... D26/110  
D738,561 S \* 9/2015 Ellis ..... D26/110  
D738,562 S \* 9/2015 Ellis ..... D26/110  
D779,705 S \* 2/2017 Starck ..... D26/110  
D790,109 S \* 6/2017 Starck ..... D26/110  
D790,748 S \* 6/2017 Starck ..... D26/110  
D803,462 S \* 11/2017 Couckhuys ..... D26/93  
D805,677 S \* 12/2017 Starck ..... D26/110  
D872,347 S \* 1/2020 Probyn ..... D26/93  
D878,664 S \* 3/2020 De Majo ..... D26/93

(Continued)

**OTHER PUBLICATIONS**

Ralbay 2 Pack Cordless Table Lamp; Retrieved from www.amazon.com at <https://www.amazon.com/Ralbay-Cordless-Rechargeable-Waterproof-Restaurant/dp/B0CKX2654L>; Retrieved on Jan. 27, 2024; First available Oct. 12, 2023 (Year: 2023).\*

(Continued)

*Primary Examiner* — Clint A Samuel

(74) *Attorney, Agent, or Firm* — Jeenam Park

(57) **CLAIM**

The ornamental design for a table lamp, as shown and described.

**DESCRIPTION**

FIG. 1 is a front view of a table lamp, showing my new design;

FIG. 2 is a rear view thereof;

FIG. 3 is a left side view thereof;

FIG. 4 is a right side view thereof;

FIG. 5 is a top plan view thereof;

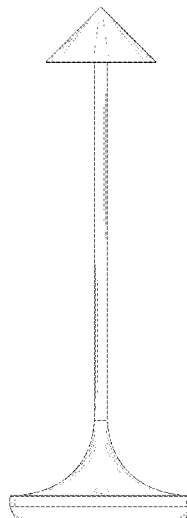
FIG. 6 is a bottom plan view thereof;

FIG. 7 is a front, left and top perspective view thereof; and,

FIG. 8 is a rear and bottom perspective view thereof.

The broken lines shown in the drawings illustrate portions of the table lamp that form no part of the claimed design.

**1 Claim, 8 Drawing Sheets**



(56)

**References Cited**

U.S. PATENT DOCUMENTS

D900,378 S \* 10/2020 Peng ..... D26/108  
D953,612 S \* 5/2022 Hisle De Beauchaine .. D26/112  
D987,165 S \* 5/2023 Tian ..... D26/104  
D994,208 S \* 8/2023 Wen ..... D26/93  
D1,001,343 S \* 10/2023 Wang ..... D26/109  
D1,003,492 S \* 10/2023 Kane ..... F21S 6/00  
D26/93  
2003/0007358 A1\* 1/2003 Yi-Chen ..... F21S 10/00  
362/317

OTHER PUBLICATIONS

Alvde Cordless Battery Powered Table Lamp; Retrieved from  
www.amazon.com at <https://www.amazon.com/dp/BCPNYFLFD>;  
Retrieved on Jan. 27, 2024; First available Feb. 21, 2023 (Year:  
2023).\*

LJXiioo Cordless Table Lamp; Retrieved from www.amazon.com at  
<https://www.amazon.com/dp/B0CBMRQM1R>; Retrieved on Jan.  
27, 2024; First available Jul. 11, 2023 (Year: 2023).\*

Lightjxds Cordless Table Lamp; Retrieved from www.amazon.com  
at <https://www.amazon.com/dp/B0BG1ZNR9M>; Retrieved on Jan.  
27, 2024; First available Sep. 21, 2022 (Year: 2022).\*

\* cited by examiner

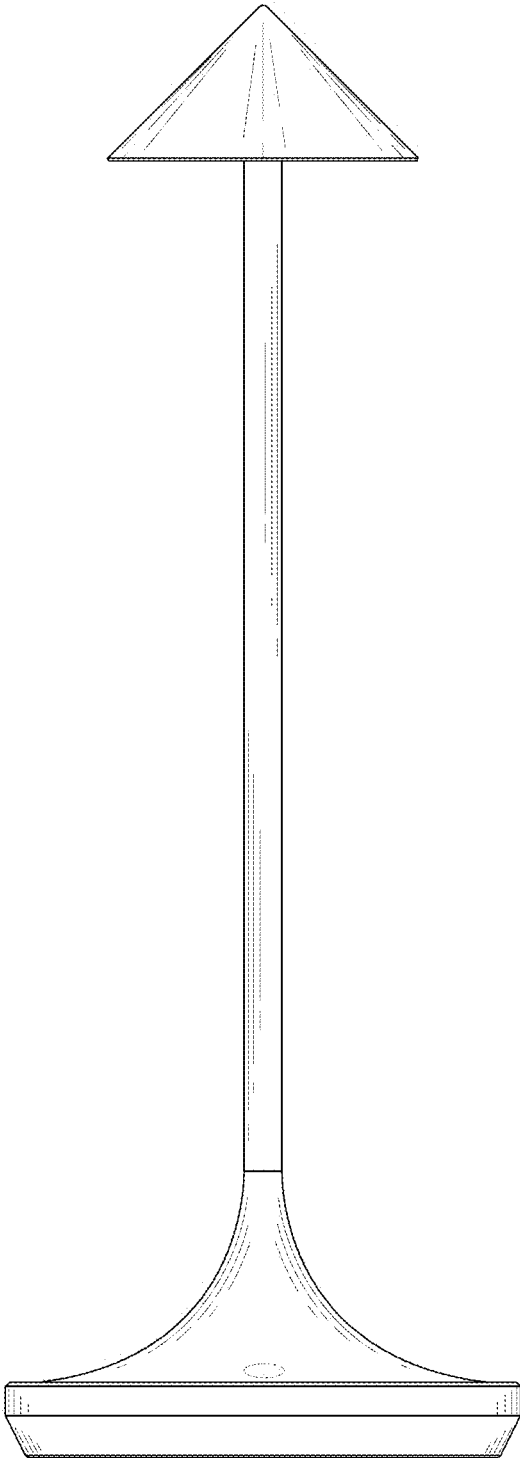


FIG. 1

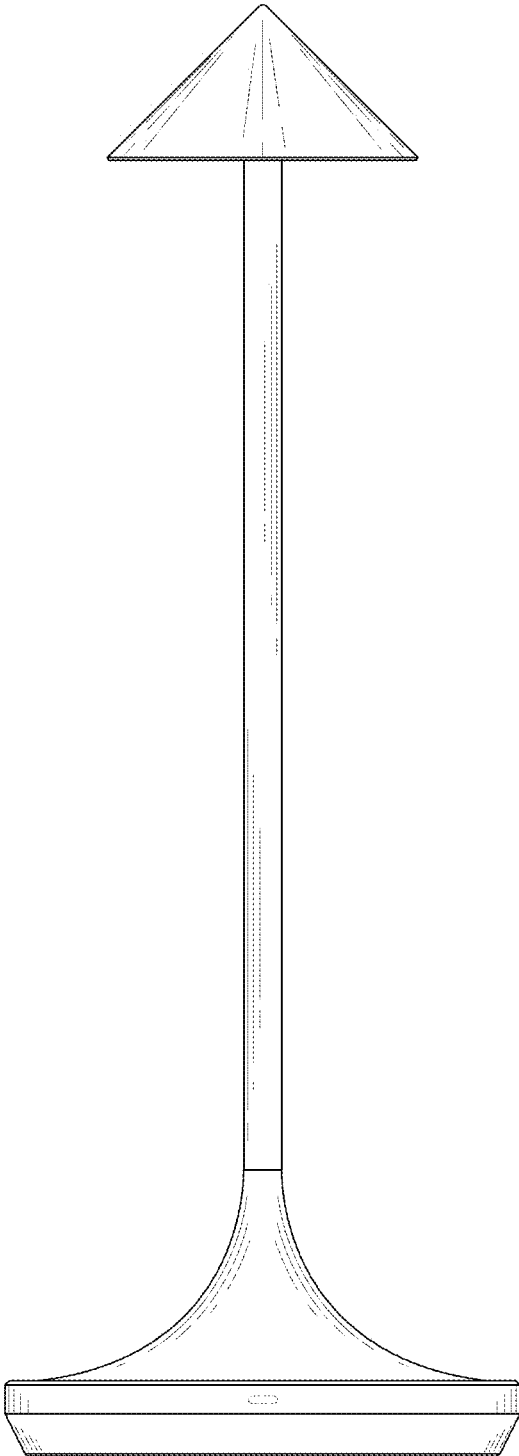


FIG. 2

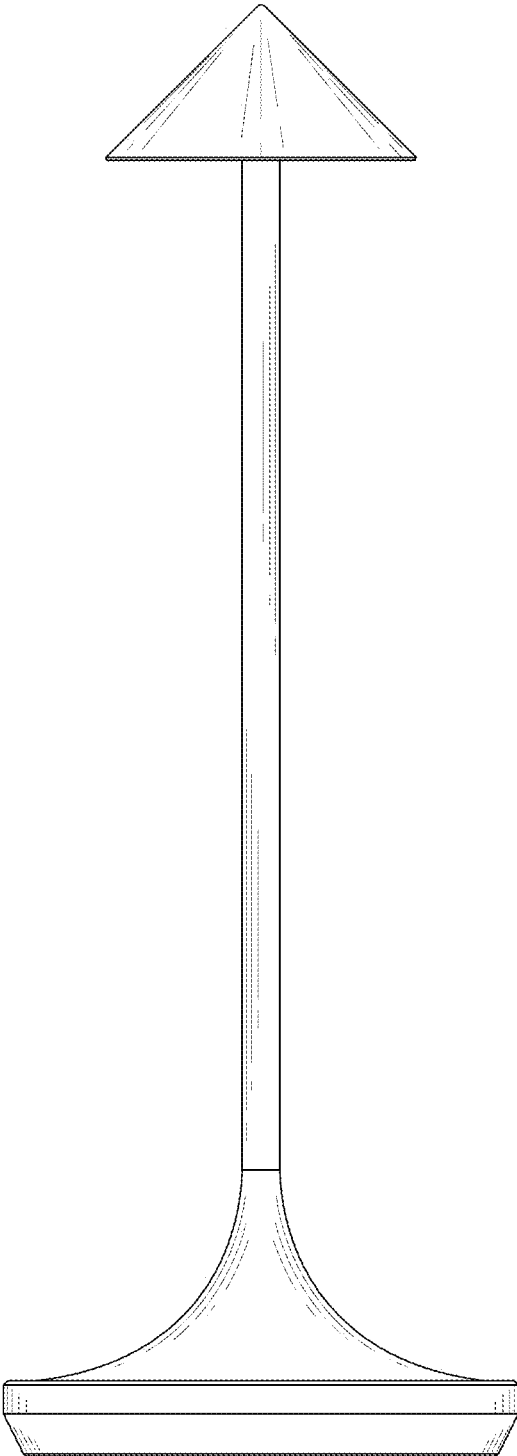


FIG. 3

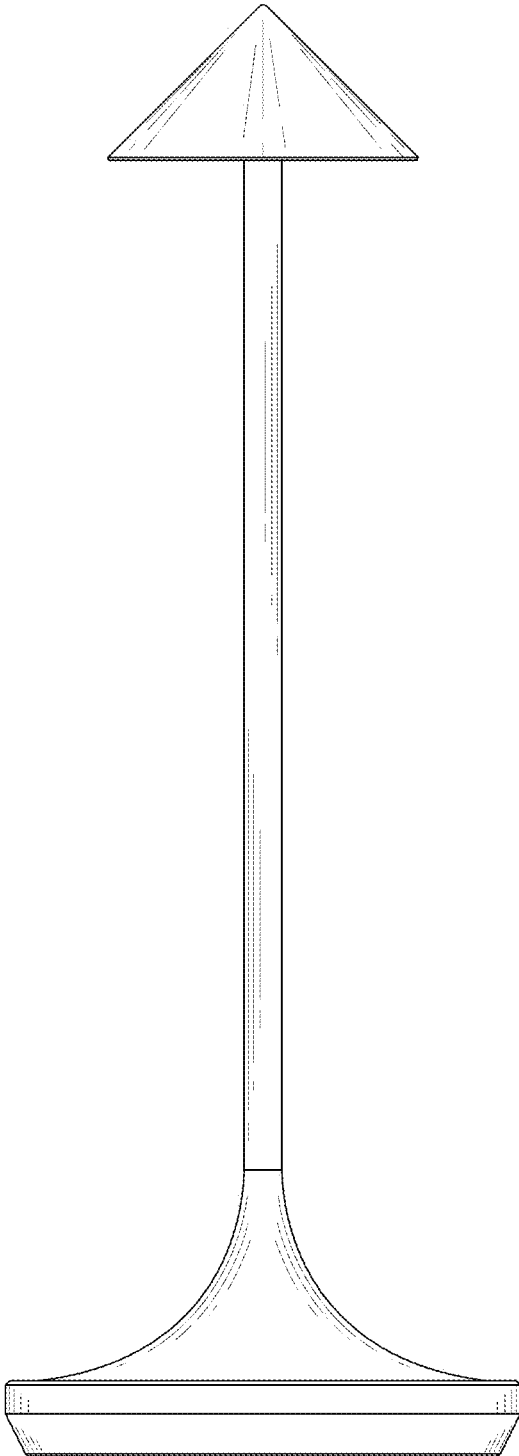


FIG. 4

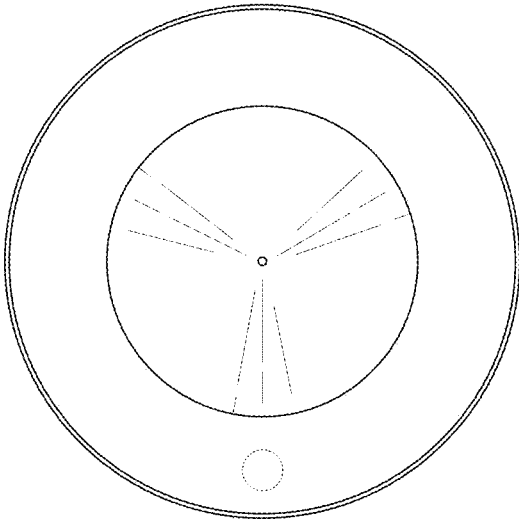


FIG. 5

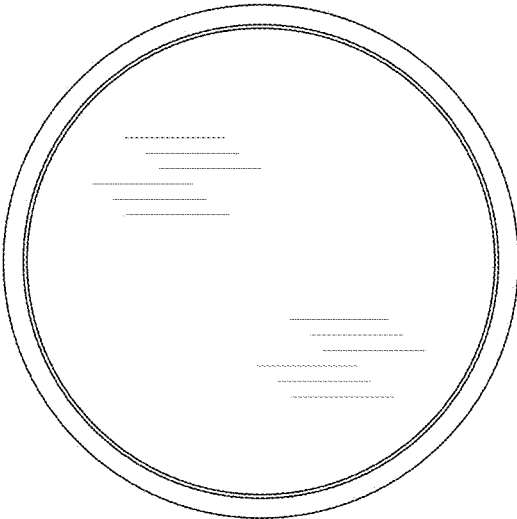


FIG. 6

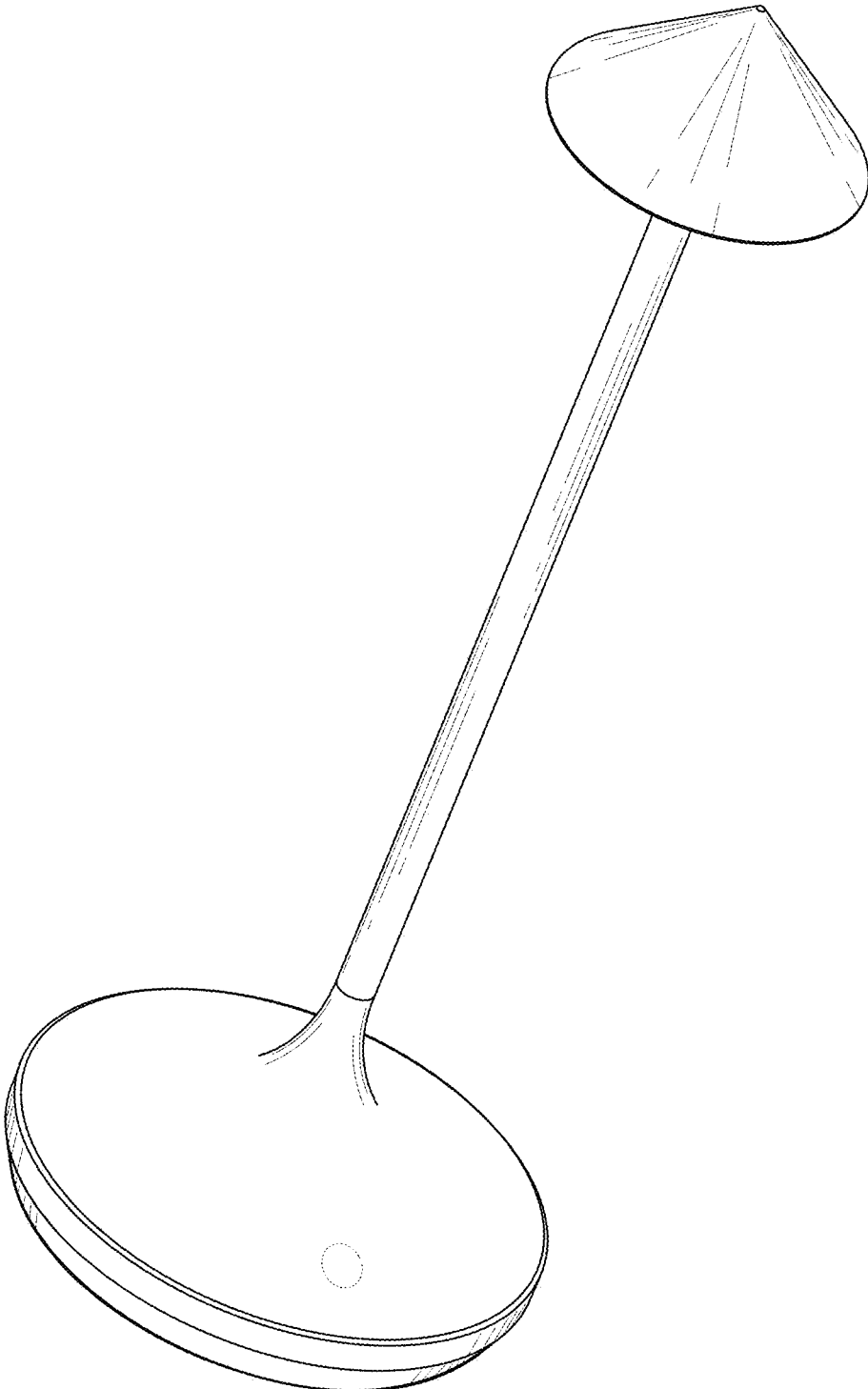


FIG. 7

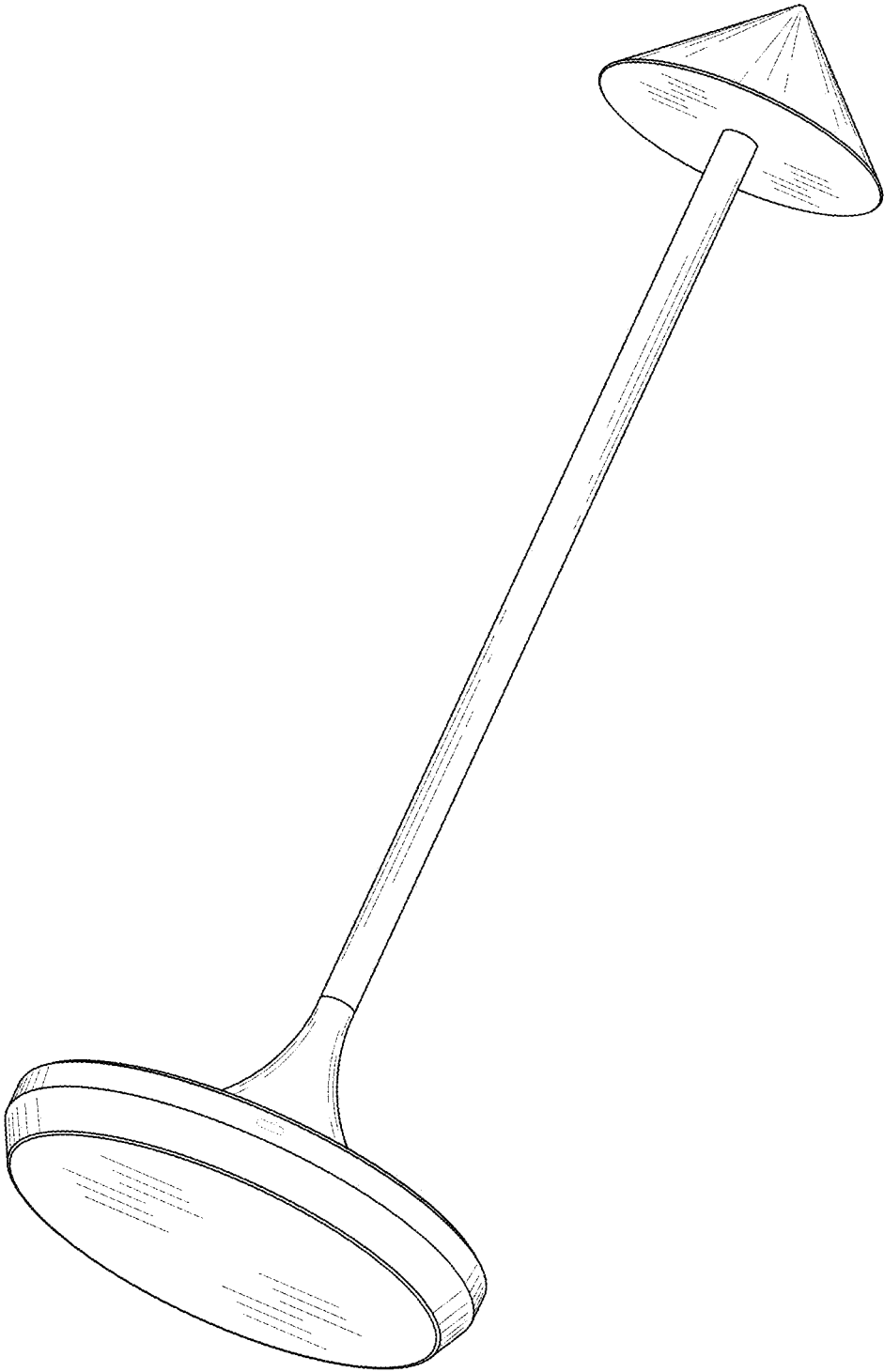


FIG. 8