



US00D788840S

(12) **United States Design Patent**
Corcorran et al.

(10) **Patent No.:** **US D788,840 S**
(45) **Date of Patent:** **** Jun. 6, 2017**

- (54) **INSTRUMENT STRAP END PIECE**
- (71) Applicants: **Holly Corcorran**, Portland, OR (US);
Patrick Corcorran, Portland, OR (US)
- (72) Inventors: **Holly Corcorran**, Portland, OR (US);
Patrick Corcorran, Portland, OR (US)
- (**) Term: **15 Years**
- (21) Appl. No.: **29/535,123**
- (22) Filed: **Aug. 4, 2015**

5,806,733	A *	9/1998	Smith	A45C 13/30
					224/264
D462,710	S *	9/2002	Babcock	D17/20
D476,357	S *	6/2003	Gresco	D17/20
D479,554	S *	9/2003	Boron	D17/20
D489,182	S *	5/2004	Tilby	D3/327
D508,516	S *	8/2005	Boone	D17/20
D513,034	S *	12/2005	Boron	D17/20
D553,328	S *	10/2007	King	D2/624
D574,415	S *	8/2008	Koskela	D17/20
D636,603	S *	4/2011	Cartwright	D3/327
D663,955	S *	7/2012	Swaggart	D3/327

(Continued)

Primary Examiner — Susan E Krakower
Assistant Examiner — Lisa A Grabenstetter
 (74) *Attorney, Agent, or Firm* — Michelle E. Carey;
 Telekta Law, P.S.

Related U.S. Application Data

- (63) Continuation-in-part of application No. 14/811,774, filed on Jul. 28, 2015, now Pat. No. 9,530,393, and a continuation-in-part of application No. 14/811,782, filed on Jul. 28, 2015, now Pat. No. 9,530,394, and a continuation-in-part of application No. 29/535,121, filed on Aug. 4, 2015.

- (51) **LOC (10) Cl.** **17-99**
- (52) **U.S. Cl.**
USPC **D17/20; D3/327**
- (58) **Field of Classification Search**
USPC D2/624–627, 639, 640; D3/327; D17/3, D17/4, 14, 15, 17–21, 24, 99; D29/100, D29/101.1–101.5
CPC G10G 5/00; G10G 5/005
See application file for complete search history.

References Cited

U.S. PATENT DOCUMENTS

1,903,081	A *	3/1933	Wotherspoon	A41F 9/002
					182/9
D249,386	S *	9/1978	Zacuto	224/258
D303,318	S *	9/1989	Clary	D29/101.5
D314,394	S *	2/1991	Cardwell	D16/243
D335,136	S *	4/1993	McMichael	D17/20
D375,823	S *	11/1996	Bleiweis	D2/627
D393,362	S *	4/1998	Byers	D17/20

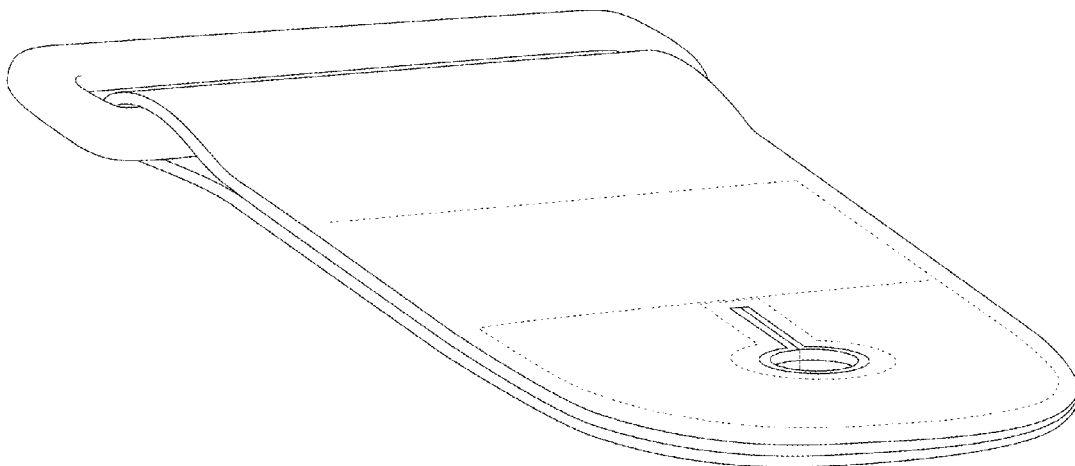
(57) **CLAIM**

The ornamental design for an instrument strap end piece, as shown and described.

DESCRIPTION

FIG. 1 is an isometric view of the instrument strap end piece, showing our new design;
 FIG. 2 is a bottom plan view of the instrument strap end piece;
 FIG. 3 is a top plan view thereof, shown in an enlarged scale for clarity;
 FIG. 4 is an open plan view thereof, shown in an enlarged scale for clarity;
 FIG. 5 is a right side plan view thereof, shown in an unfolded condition with the loop removed for clarity;
 FIG. 6 is a left side plan view thereof;
 FIG. 7 is a front plan view thereof; and,
 FIG. 8 is a rear plan view thereof.
 The broken lines found on the instrument strap end pieces represent unclaimed stitching and form no part of the claimed design.

1 Claim, 3 Drawing Sheets



(56)

References Cited

U.S. PATENT DOCUMENTS

8,269,085	B1 *	9/2012	Darbon	G10G 5/005 224/265
D673,346	S *	1/2013	Kosh	D2/639
D673,998	S *	1/2013	Wells	D17/20
D678,392	S *	3/2013	Emery	D17/19
D688,851	S *	9/2013	Parker	D2/627
D705,523	S *	5/2014	Henry	D2/853
D705,849	S *	5/2014	Bush	D17/20

* cited by examiner

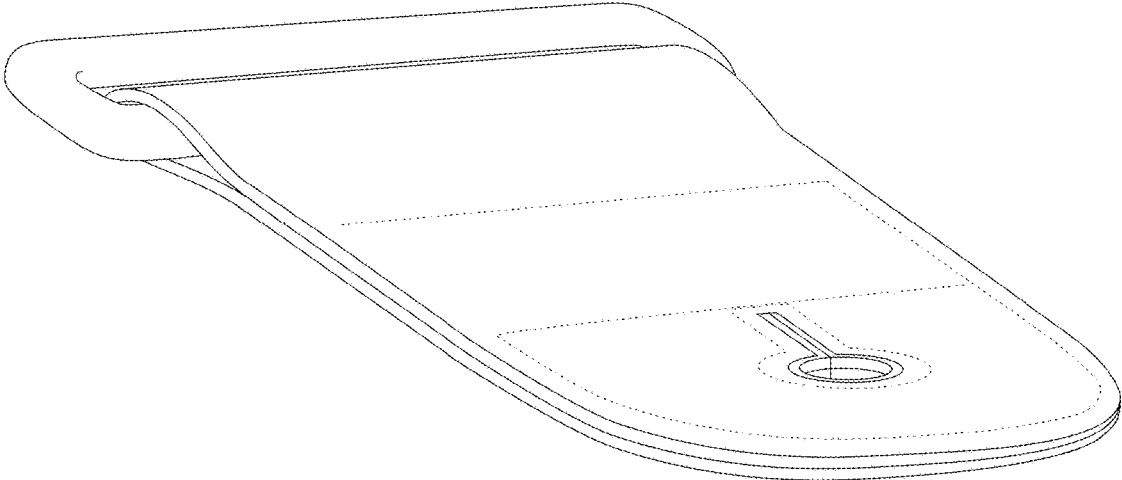


Fig. 1

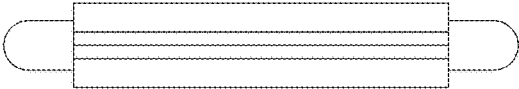


Fig. 2



Fig. 3

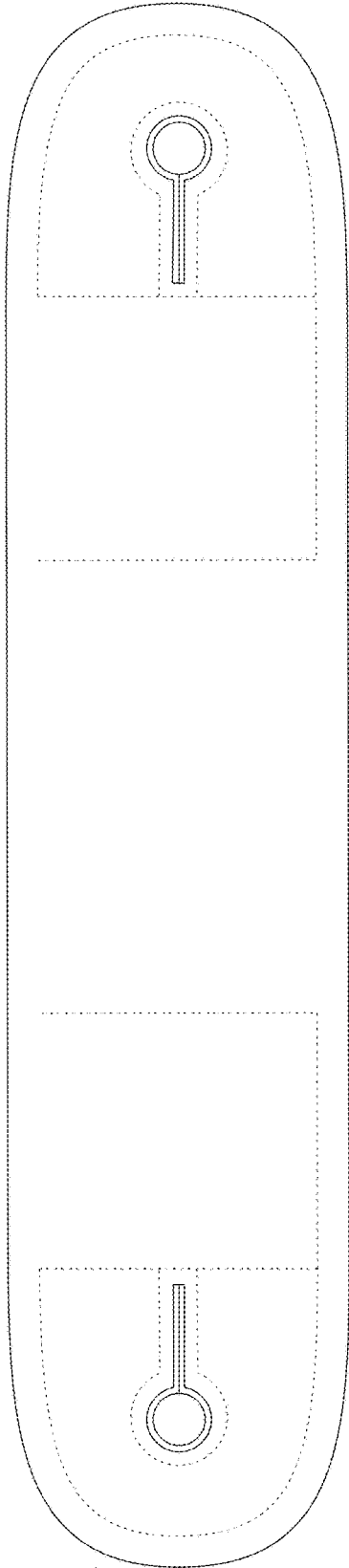


Fig. 4

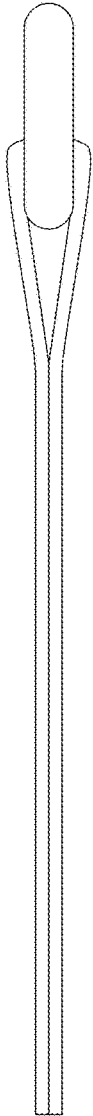


Fig. 5

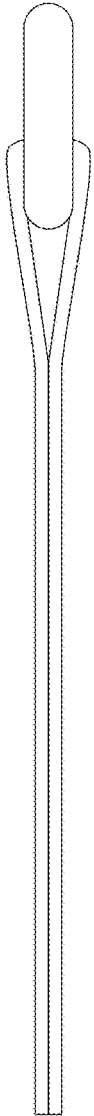


Fig. 6

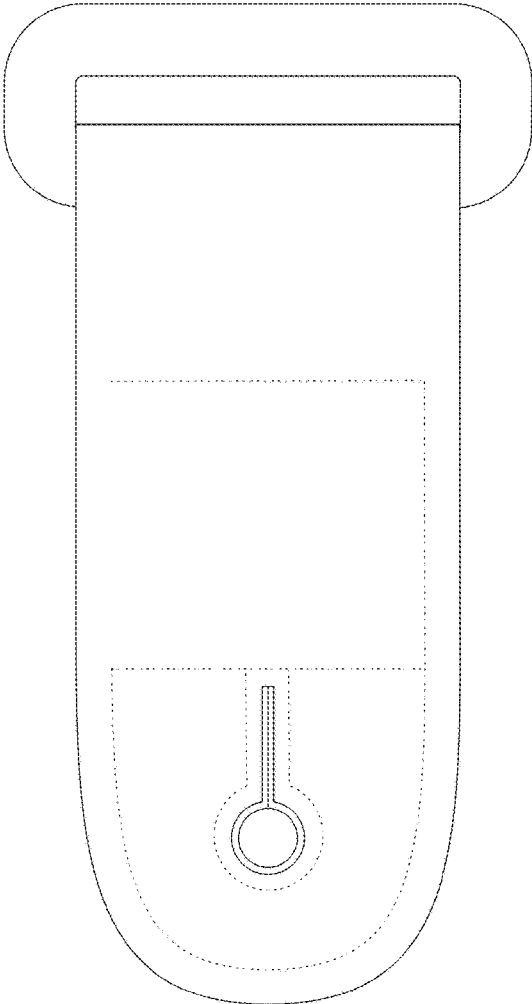


Fig. 7

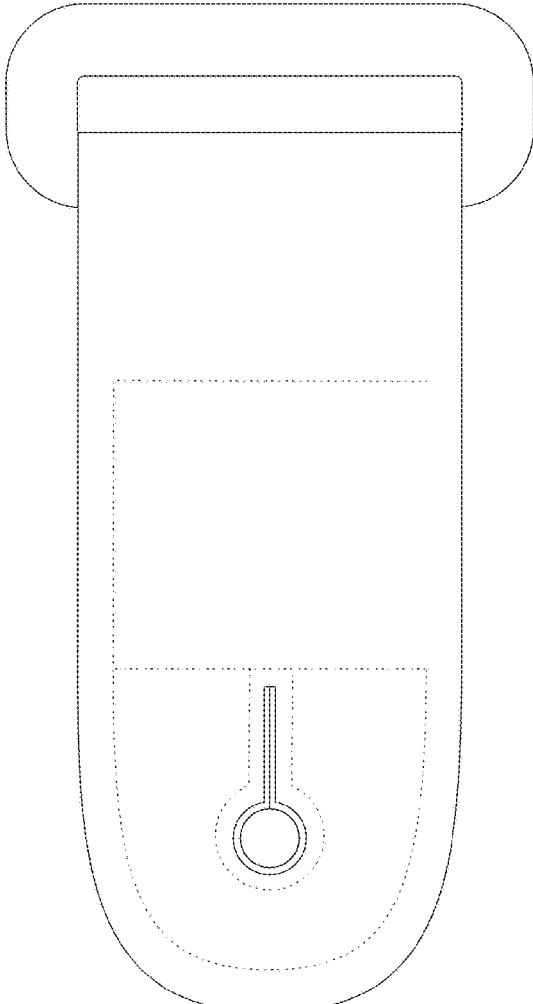


Fig. 8