



(12) **United States Design Patent**
Balmer

(10) **Patent No.:** **US D840,995 S**

(45) **Date of Patent:** **** Feb. 19, 2019**

(54) **CLIP FOR AN ELECTRONIC DEVICE**

(71) Applicant: **Daymen US, Inc.**, Petaluma, CA (US)

(72) Inventor: **Noah Balmer**, Santa Rosa, CA (US)

(73) Assignee: **Vitec Holdings Italia SRL**, Cassola (IT)

(**) Term: **15 Years**

(21) Appl. No.: **29/545,333**

(22) Filed: **Nov. 12, 2015**

(51) **LOC (11) Cl.** **14-03**

(52) **U.S. Cl.**
USPC **D14/253**

(58) **Field of Classification Search**
USPC D14/251, 252, 253, 447, 452; D12/415;
D16/242
CPC F16M 13/022; H04M 1/02
See application file for complete search history.

(56) **References Cited**

U.S. PATENT DOCUMENTS

D654,081 S *	2/2012	Richter	D14/452
D684,980 S *	6/2013	Chun	D14/447
D685,804 S *	7/2013	Richter	D14/253
D697,515 S *	1/2014	Adelman	D14/447
D711,867 S *	8/2014	Harris	D14/253
D712,394 S *	9/2014	Booth	D14/253
D721,074 S *	1/2015	Harris	D14/253
D727,333 S *	4/2015	Shih	D14/447
D739,410 S *	9/2015	Chun	D14/447
D742,387 S *	11/2015	Xiang	D14/447
D744,473 S *	12/2015	Tsai	D14/251
D757,705 S *	5/2016	Esses	D14/251
D765,651 S *	9/2016	Liu	D14/253
D768,125 S *	10/2016	Kim	D14/253
D769,860 S *	10/2016	Xiao	D14/253
D775,116 S *	12/2016	Abrahams	D14/253
D780,168 S *	2/2017	Du	D14/253

(Continued)

Primary Examiner — Janice Hallmark

(74) *Attorney, Agent, or Firm* — Michael A. Guth

(57) **CLAIM**

The ornamental design for a clip for an electronic device, as shown and described.

DESCRIPTION

FIG. 1 is a perspective view of a clip for an electronic device in a first configuration.

FIG. 2 is a right side view of a clip for an electronic device in a first configuration.

FIG. 3 is a left side view of a clip for an electronic device in a first configuration.

FIG. 4 is a rear view of a clip for an electronic device in a first configuration.

FIG. 5 is a front view of a clip for an electronic device in a first configuration.

FIG. 6 is a top view of a clip for an electronic device in a first configuration.

FIG. 7 is a bottom view of a clip for an electronic device in a first configuration.

FIG. 8 is a front view of a clip for an electronic device in a second configuration with the main clip portion rotated 90 degrees.

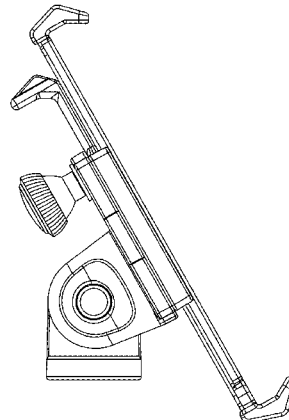
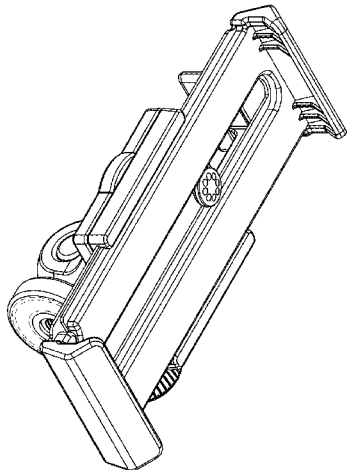
FIG. 9 is a rear view of a clip for an electronic device in a second configuration with the main clip portion rotated 90 degrees.

FIG. 10 is a left side view of a clip for an electronic device in third configuration with the upper portion tilted back 45 degrees; and,

FIG. 11 is a perspective view of a clip for an electronic device in fourth configuration with the main clip portion rotated 90 degrees and the upper portion tilted back 45 degrees.

The broken lines in the drawings depict parts of the clip for an electronic device that form no part of the claimed design.

1 Claim, 11 Drawing Sheets



US D840,995 S

Page 2

(56)

References Cited

U.S. PATENT DOCUMENTS

D780,743	S *	3/2017	Chun	D14/253	2012/0273637	A1 *	11/2012	Huang	F16M 11/041 248/291.1
D782,462	S *	3/2017	Huang	D14/253	2014/0042285	A1 *	2/2014	Carnevali	B60R 11/02 248/316.4
D783,012	S *	4/2017	Lee	D14/253	2014/0097306	A1 *	4/2014	Hale	F16M 13/022 248/122.1
D783,014	S *	4/2017	Chun	D14/253	2014/0138419	A1 *	5/2014	Minn	B60R 11/0241 224/567
D783,592	S *	4/2017	Ju	D14/253	2014/0263931	A1 *	9/2014	Chen	F16M 11/041 248/576
D784,977	S *	4/2017	Ormsbee	D14/253	2015/0191124	A1 *	7/2015	Du	F16M 13/022 248/205.4
D796,421	S *	9/2017	Huang	D12/415	2015/0192155	A1 *	7/2015	Chen	H04N 5/2251 348/376
D799,448	S *	10/2017	Zheng	D14/217	2017/0072872	A1 *	3/2017	Balmer	F16M 13/022
D799,466	S *	10/2017	Sukphist	D14/253	2017/0264329	A1 *	9/2017	Balmer	H04B 1/385
D807,371	S *	1/2018	Bertelle	D14/447	2017/0293208	A1 *	10/2017	Hale	G03B 17/566
9,924,005	B1 *	3/2018	McElderry	H04M 1/11	2018/0035020	A1 *	2/2018	Pan	B64D 1/08
D815,104	S *	4/2018	Bertelle	D14/447	2018/0043840	A1 *	2/2018	Minn	B60R 11/02
9,956,923	B2 *	5/2018	Minn	B60R 11/02 248/176.3					
2005/0236536	A1 *	10/2005	Fan	B60R 11/02					
2012/0025036	A1 *	2/2012	Huang	F16M 11/041 248/122.1					

* cited by examiner

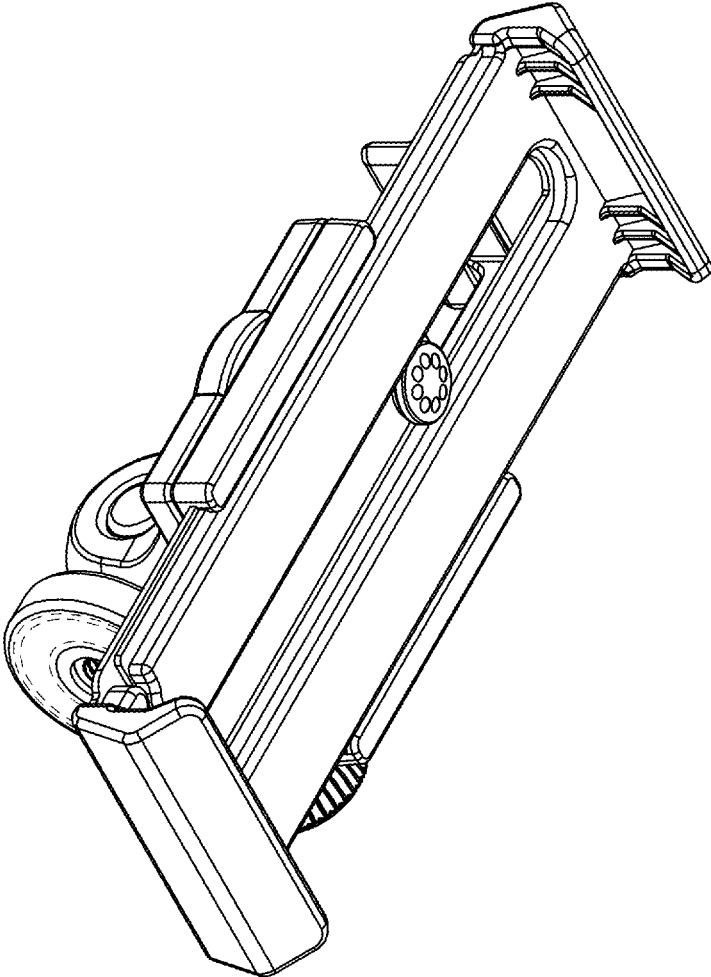


FIG. 1

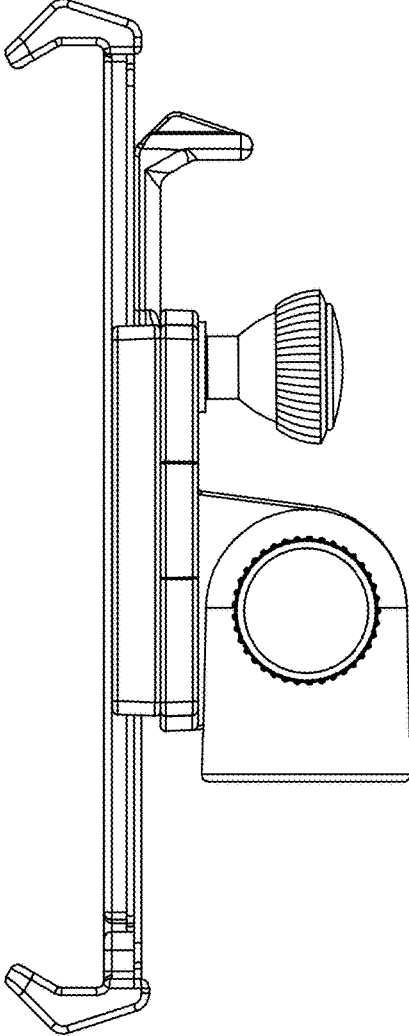


FIG. 2

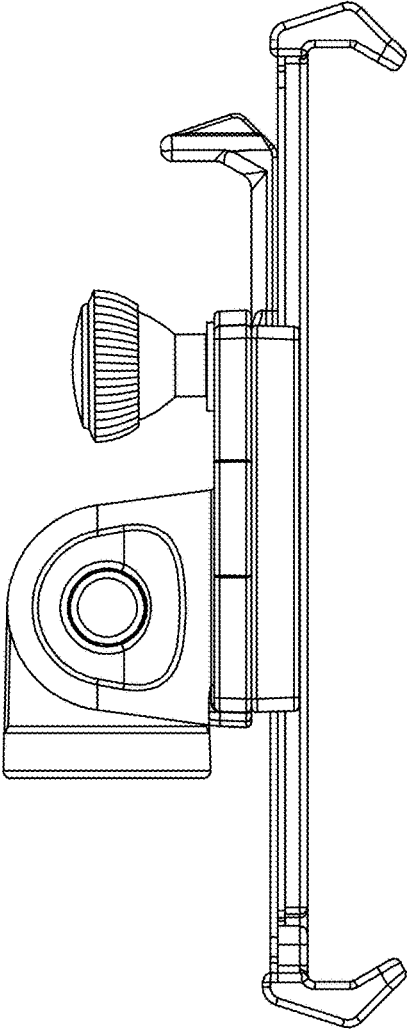


FIG. 3

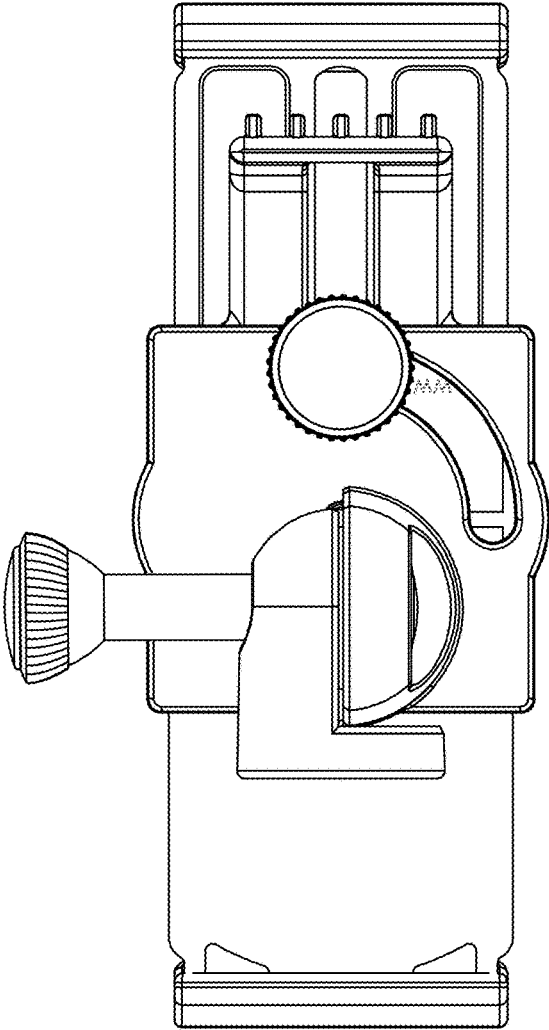


FIG. 4

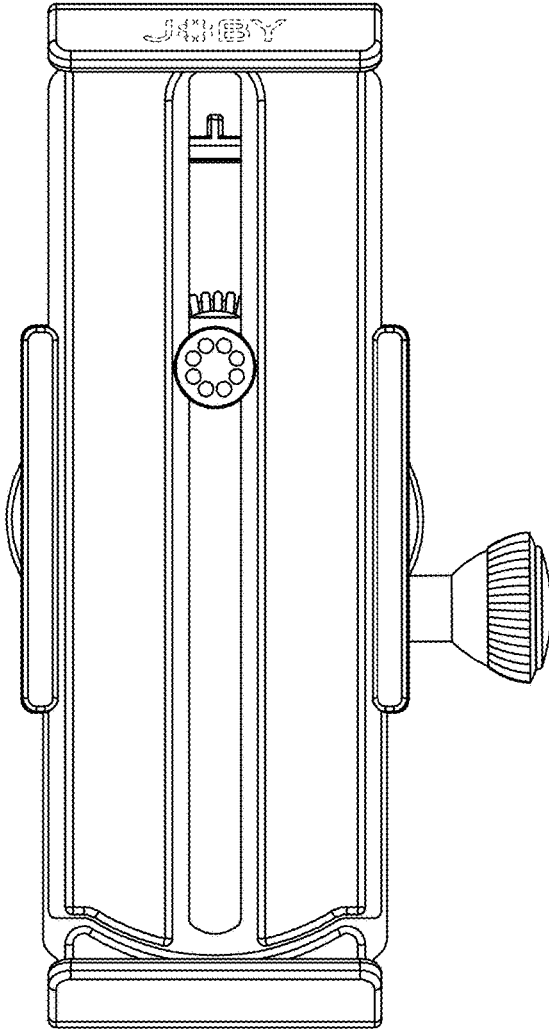


FIG. 5

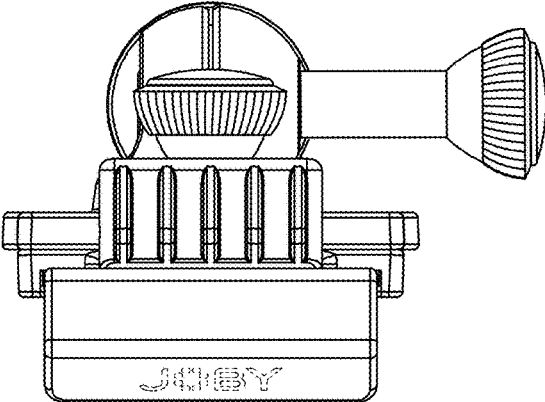


FIG. 6

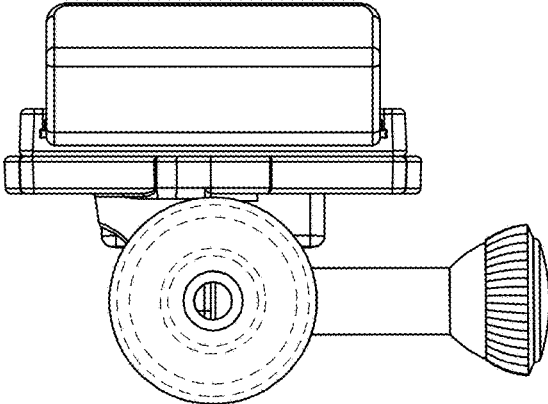


FIG. 7

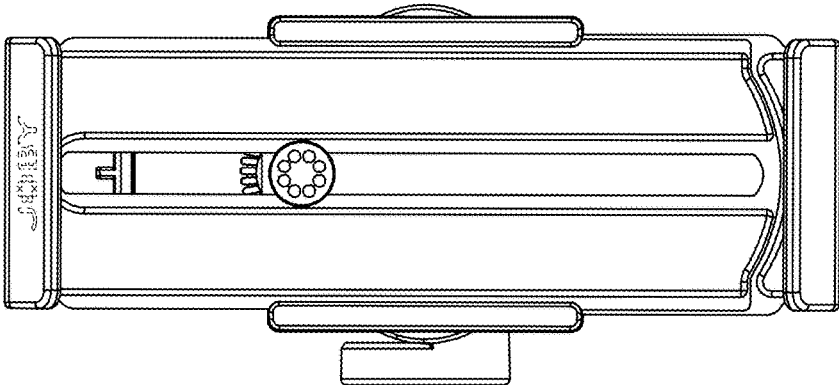


FIG. 8

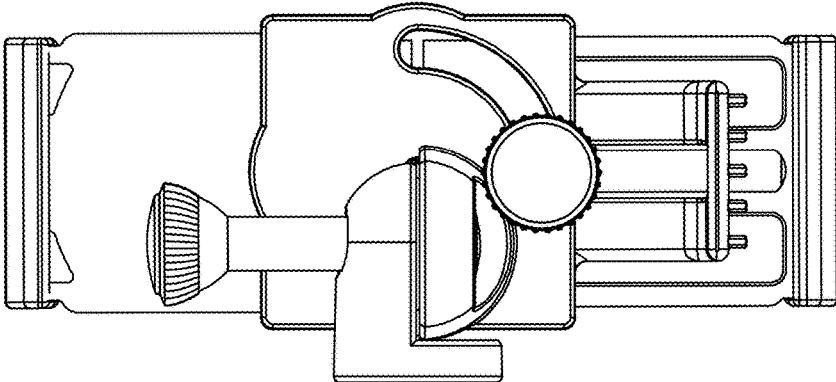


FIG. 9

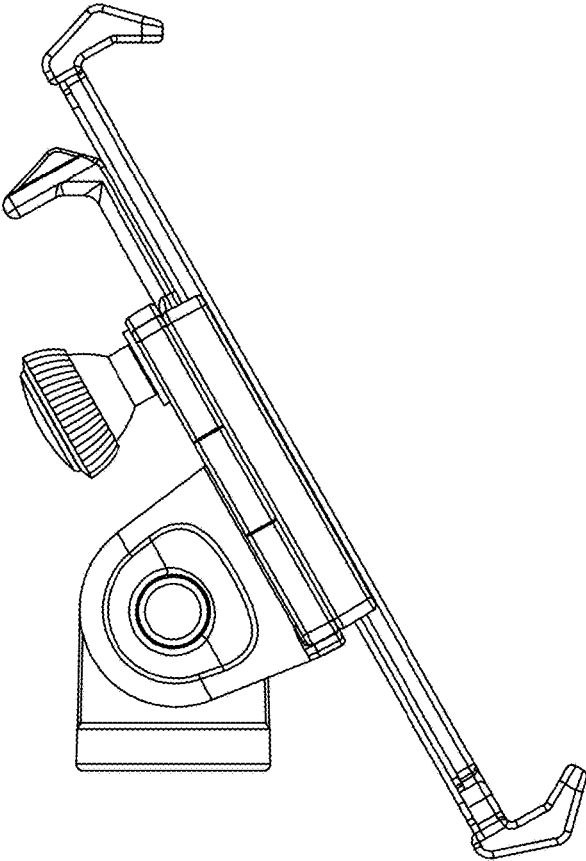


FIG. 10

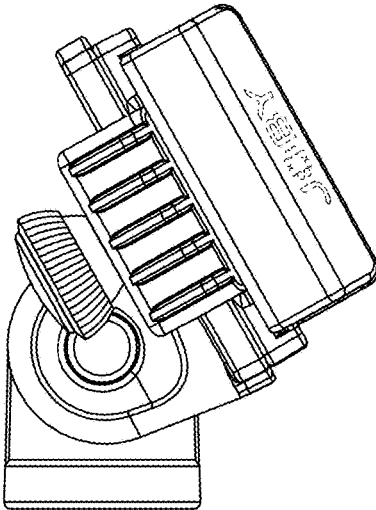


FIG. 11