



US00D972743S

(12) **United States Design Patent** (10) **Patent No.:** **US D972,743 S**
Wersland et al. (45) **Date of Patent:** **** Dec. 13, 2022**

(54) **VIBRATION MASSAGE DEVICE** D810,680 S 2/2018 Carreon
D812,237 S 3/2018 Cole
(71) Applicant: **Therabody, Inc.**, Los Angeles, CA D879,986 S 3/2020 Wersland
(US) D882,105 S 4/2020 Lee
D927,719 S 8/2021 Meissner
(72) Inventors: **Jason Wersland**, Los Angeles, CA D932,040 S 9/2021 Sedic
(US); **Benjamin Nazarian**, Los Angeles, CA 11,160,723 B2 11/2021 Wersland
(US); **Jaime Sanchez Solana**, Los Angeles, CA (US); **Eduardo Merino**, Los Angeles, CA D951,470 S * 5/2022 Wersland A61H 23/006
(US); **Trent Hernandez**, Los Angeles, CA (US) 2013/0074307 A1 3/2013 Da Silva D24/215
(Continued)

(73) Assignee: **Therabody, Inc.**, Los Angeles, CA (US)

(**) Term: **15 Years**

(21) Appl. No.: **29/837,649**

(22) Filed: **May 6, 2022**

Related U.S. Application Data

(62) Division of application No. 29/708,815, filed on Oct. 9, 2019, now Pat. No. Des. 951,470.

(51) **LOC (13) Cl.** **24-01**

(52) **U.S. Cl.**
USPC **D24/215**

(58) **Field of Classification Search**
USPC D24/200, 133, 186, 187, 206, 209–211,
D24/214, 215, 165–168; D8/107,
D8/310–312
CPC A61H 2201/0153; A61H 2201/0157; A61H
2201/1253; A61H 23/00; A61H 23/004;
A61H 23/006; A61H 23/02; A61H 23/04;
A61H 1/008
See application file for complete search history.

(56) **References Cited**

U.S. PATENT DOCUMENTS

D696,411 S 12/2013 Imboden
D727,523 S 4/2015 Qian

OTHER PUBLICATIONS
Theragun Mini—All-New 4th Generation Portable Muscle Treatment Massage Gun by TheraGun. Amazon. Oldest review date: Jun. 1, 2020. Retrieval date: Oct. 13, 2021. Retrieved from internet: <https://www.amazon.com/Theragun-Mini-Generation-Portable-Treatment/dp/B086Z6LNV5> (Year: 2020).

Primary Examiner — Mary Shannon Malley
Assistant Examiner — Lee D. Starr
(74) *Attorney, Agent, or Firm* — Sterne, Kessler, Goldstein & Fox P.L.L.C.

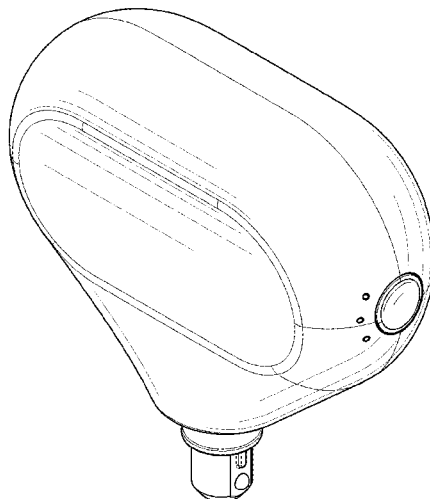
(57) **CLAIM**

The ornamental design for a vibration massage device, as shown and described.

DESCRIPTION

FIG. 1 is a perspective view of the vibration massage device, showing our new design;
FIG. 2 is a front elevational view thereof;
FIG. 3 is a rear elevational view thereof;
FIG. 4 is a right side elevational view thereof
FIG. 5 is a left side elevational view thereof;
FIG. 6 is a top plan view thereof;
FIG. 7 is a bottom plan view thereof; and,
FIG. 8 is a cross-sectional view thereof taken along line 8-8 in FIG. 2.

1 Claim, 6 Drawing Sheets



(56)

References Cited

U.S. PATENT DOCUMENTS

2013/0085556 A1 4/2013 Gillespie
2020/0352821 A1 11/2020 Wersland
2022/0047451 A1* 2/2022 Wersland A61H 23/0263

* cited by examiner

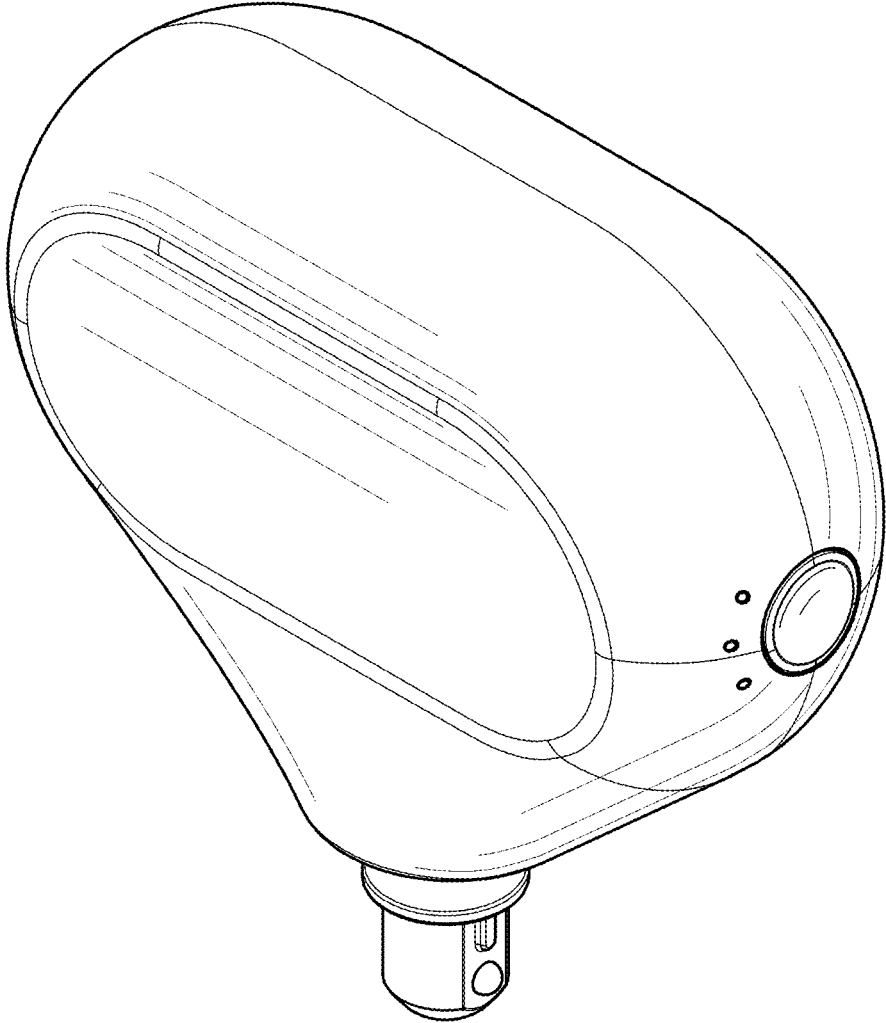


FIG. 1

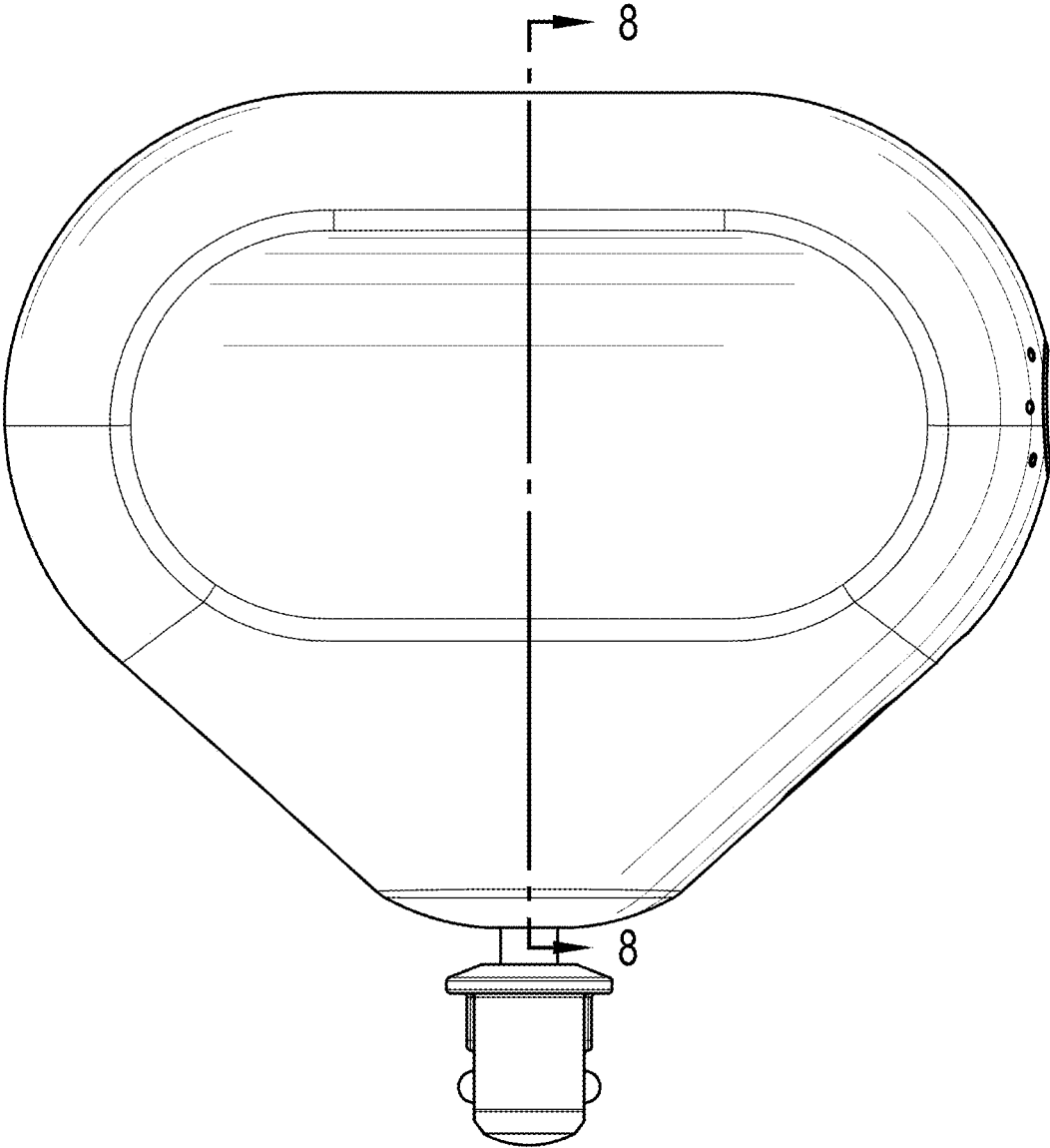


FIG. 2

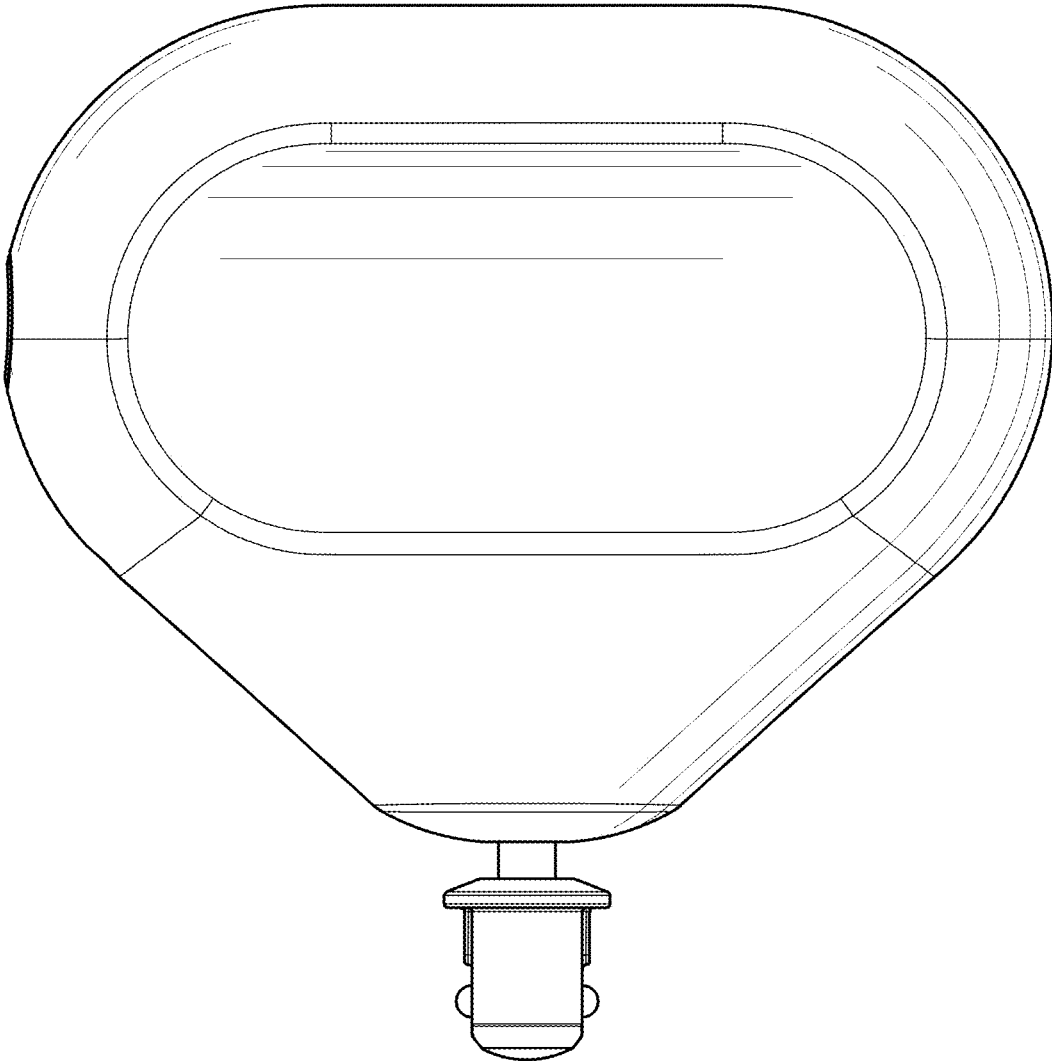


FIG. 3

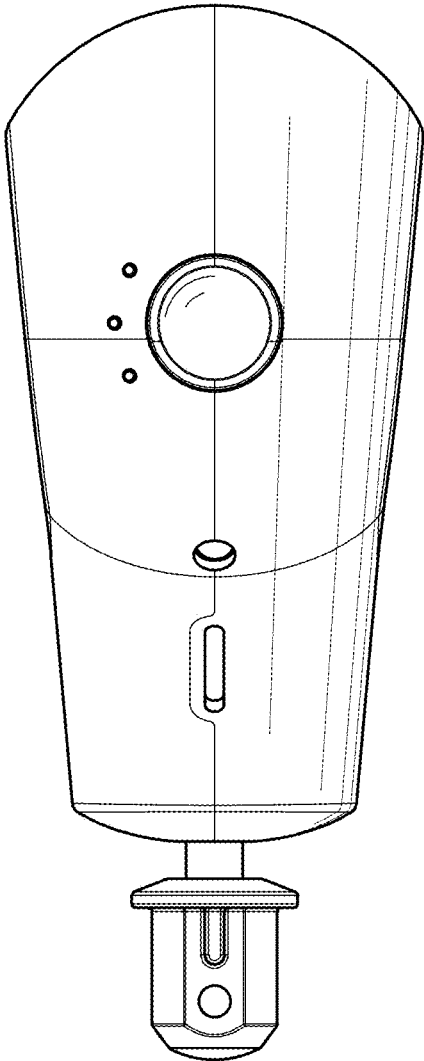


FIG. 4

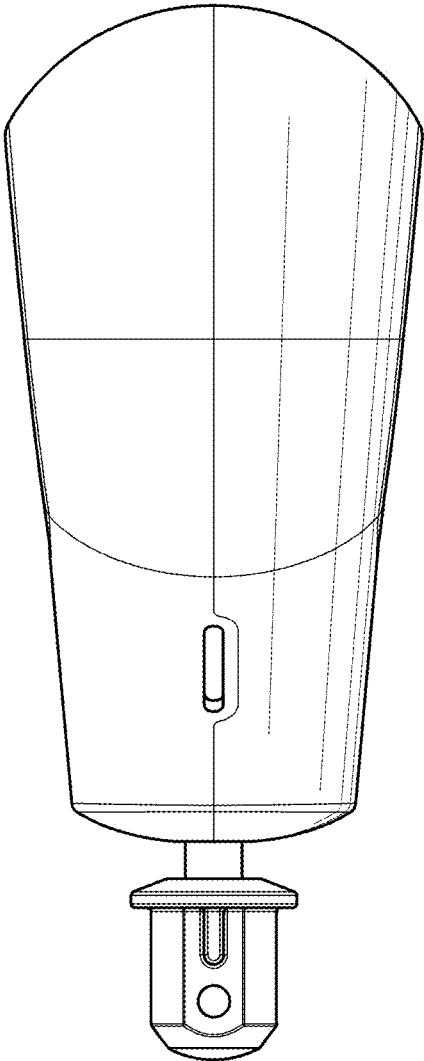


FIG. 5

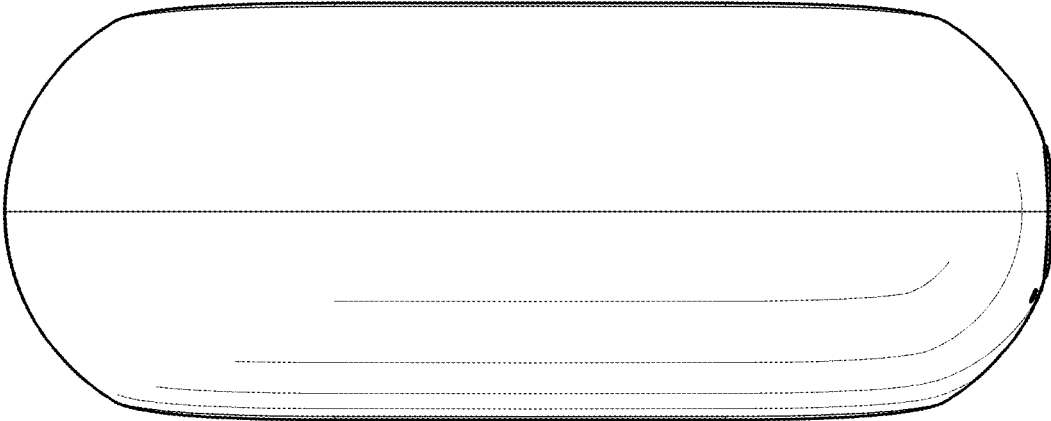


FIG. 6

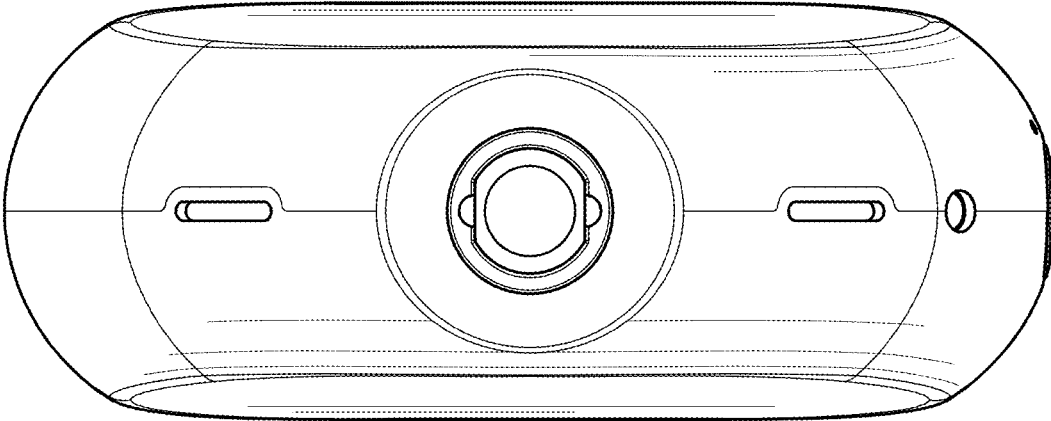


FIG. 7

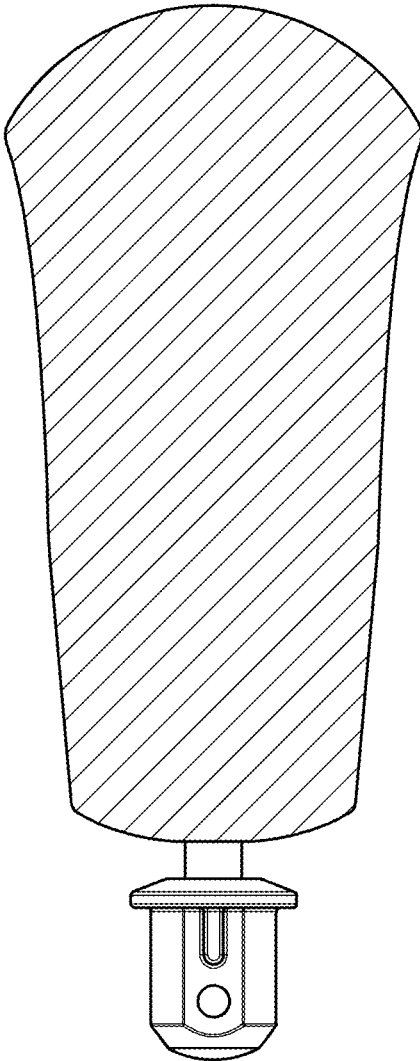


FIG. 8