

(19) World Intellectual Property Organization
International Bureau



(43) International Publication Date
23 February 2006 (23.02.2006)

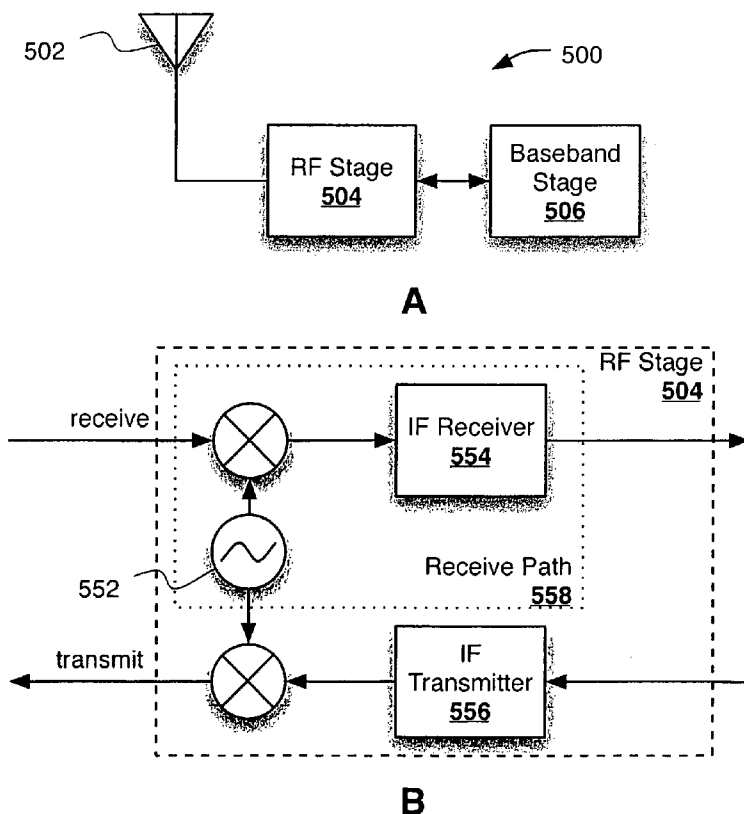
PCT

(10) International Publication Number
WO 2006/020169 A3

- (51) International Patent Classification:
H04B 1/02 (2006.01)
- (21) International Application Number:
PCT/US2005/025354
- (22) International Filing Date: 18 July 2005 (18.07.2005)
- (25) Filing Language: English
- (26) Publication Language: English
- (30) Priority Data:
10/893,821 19 July 2004 (19.07.2004) US
- (63) Related by continuation (CON) or continuation-in-part (CIP) to earlier application:
US 10/893,821 (CON)
Filed on 19 July 2004 (19.07.2004)
- (71) Applicant (for all designated States except US): PURE-WAVE NETWORKS, INC. [US/US]; 800 W. El Camino Real, Suite 180, Mountain View, CA 94040 (US).
- (72) Inventor; and
- (75) Inventor/Applicant (for US only): LEABMAN, Michael [US/US]; 207 Veritas Court, San Ramon, CA 94582 (US).
- (74) Agent: WINSTON, R., Whitney; Steptoe & Johnson LLP, 1330 Connecticut Avenue, NW, Washington, DC 20036 (US).
- (81) Designated States (unless otherwise indicated, for every kind of national protection available): AE, AG, AL, AM, AT, AU, AZ, BA, BB, BG, BR, BW, BY, BZ, CA, CH, CN, CO, CR, CU, CZ, DE, DK, DM, DZ, EC, EE, EG, ES, FI, GB, GD, GE, GH, GM, HR, HU, ID, IL, IN, IS, JP, KE, KG, KM, KP, KR, KZ, LC, LK, LR, LS, LT, LU, LV, MA, MD, MG, MK, MN, MW, MX, MZ, NA, NG, NI, NO, NZ, OM, PG, PH, PL, PT, RO, RU, SC, SD, SE, SG, SK, SL, SM, SY, TJ, TM, TN, TR, TT, TZ, UA, UG, US (patent), UZ, VC, VN, YU, ZA, ZM, ZW.
- (84) Designated States (unless otherwise indicated, for every kind of regional protection available): ARIPO (BW, GH, GM, KE, LS, MW, MZ, NA, SD, SL, SZ, TZ, UG, ZM, ZW), Eurasian (AM, AZ, BY, KG, KZ, MD, RU, TJ, TM), European (AT, BE, BG, CH, CY, CZ, DE, DK, EE, ES, FI,

[Continued on next page]

(54) Title: NON-SIMULTANEOUS FREQUENCY DIVERSITY IN RADIO COMMUNICATION SYSTEMS



(57) Abstract: A radio using non-simultaneous frequency diversity includes: an antenna (502), a radio frequency module (504) coupled to the antenna (502) such that the radio frequency module (504) is operable to transmit (556) or receive (554) radio frequency signals using the antenna, and a baseband module (506) coupled to the radio frequency module. The baseband module is operable to transmit or receive signals through the radio frequency module, such that signals transmitted or received by the radio employ non-simultaneous frequency diversity. A method for transmitting information using non-simultaneous frequency diversity includes: identifying information to be transmitted, transmitting the identified information on a first channel, and after a predetermined amount of time, transmitting the identified information on a second channel. A method for receiving information transmitted using non-simultaneous frequency diversity includes receiving a first signal transmitted on a first channel; after a predetermined amount of time, receiving a second signal transmitted on a second channel; and identifying transmitted information based on the first signal and the second signal.

WO 2006/020169 A3



FR, GB, GR, HU, IE, IS, IT, LT, LU, LV, MC, NL, PL, PT,
RO, SE, SI, SK, TR), OAPI (BF, BJ, CF, CG, CI, CM, GA,
GN, GQ, GW, ML, MR, NE, SN, TD, TG).

Published:

— *with international search report*

(88) Date of publication of the international search report:

19 April 2007

Declarations under Rule 4.17:


- *as to applicant's entitlement to apply for and be granted a patent (Rule 4.17(ii))*
- *as to the applicant's entitlement to claim the priority of the earlier application (Rule 4.17(iii))*

For two-letter codes and other abbreviations, refer to the "Guidance Notes on Codes and Abbreviations" appearing at the beginning of each regular issue of the PCT Gazette.

INTERNATIONAL SEARCH REPORT

International application No.

PCT/US05/25354

A. CLASSIFICATION OF SUBJECT MATTER IPC: H04B 1/02(2006.01) USPC: 455/101,141;375/267 According to International Patent Classification (IPC) or to both national classification and IPC		
B. FIELDS SEARCHED Minimum documentation searched (classification system followed by classification symbols) U.S. : 455/101,141;375/267 Documentation searched other than minimum documentation to the extent that such documents are included in the fields searched Electronic data base consulted during the international search (name of data base and, where practicable, search terms used)		
C. DOCUMENTS CONSIDERED TO BE RELEVANT		
Category *	Citation of document, with indication, where appropriate, of the relevant passages	Relevant to claim No.
Y	US 2003/0235147 A (WALTON et al) 25 December 2003 (25.12.2003), sections [0081]-[0087]	1,13,22
Y	US 2003/0007477 A (RAGAN et al) 9 January 2003 (9.1.2003) , sections [0017]-[0030]	1
A	US 2003/0142758 A (SAKAUE et al) 31 July 2003 (31.7.2003), sections [0071]-[0080]	2-12,14-21,23-32
<input type="checkbox"/> Further documents are listed in the continuation of Box C. <input type="checkbox"/> See patent family annex.		
* Special categories of cited documents:		
"A" document defining the general state of the art which is not considered to be of particular relevance	"T"	later document published after the international filing date or priority date and not in conflict with the application but cited to understand the principle or theory underlying the invention
"E" earlier application or patent published on or after the international filing date	"X"	document of particular relevance; the claimed invention cannot be considered novel or cannot be considered to involve an inventive step when the document is taken alone
"L" document which may throw doubts on priority claim(s) or which is cited to establish the publication date of another citation or other special reason (as specified)	"Y"	document of particular relevance; the claimed invention cannot be considered to involve an inventive step when the document is combined with one or more other such documents, such combination being obvious to a person skilled in the art
"O" document referring to an oral disclosure, use, exhibition or other means	"&"	document member of the same patent family
"P" document published prior to the international filing date but later than the priority date claimed		
Date of the actual completion of the international search		Date of mailing of the international search report
17 October 2006 (17.10.2006)		14 DEC 2006
Name and mailing address of the ISA/US Mail Stop PCT, Attn: ISA/US Commissioner for Patents P.O. Box 1450 Alexandria, Virginia 22313-1450 Facsimile No. (571) 273-3201		Authorized officer Matthew D Anderson  Telephone No. 703-305-8635