

(19) World Intellectual Property Organization
International Bureau



(43) International Publication Date
17 April 2008 (17.04.2008)

PCT

(10) International Publication Number
WO 2008/043418 A3

(51) International Patent Classification:
B42D 15/10 (2006.01)

(21) International Application Number:
PCT/EP2007/007902

(22) International Filing Date:
11 September 2007 (11.09.2007)

(25) Filing Language: English

(26) Publication Language: English

(30) Priority Data:
06021347.7 11 October 2006 (11.10.2006) EP

(71) Applicant (for all designated States except US): **SETEC OY** [FIM]; Suometankaari 2, FIN-01740 Vantaa (FI).

(72) Inventor; and

(75) Inventor/Applicant (for US only): **SYRJANEN, Taru** [FLT]; c/o Setec Oy, Suometankaari 2, FIN-01740 Vantaa (FI).

(74) Common Representative: **SETEC OY**; c/o Axalto SA, Philippe Cassagne, 6, rue de la Verrerie, F-92190 Meudon (FR).

(81) Designated States (unless otherwise indicated, for every kind of national protection available): AE, AG, AL, AM, AT, AU, AZ, BA, BB, BG, BH, BR, BW, BY, BZ, CA, CH, CN, CO, CR, CU, CZ, DE, DK, DM, DO, DZ, EC, EE, EG, ES, FI, GB, GD, GE, GH, GM, GT, HN, HR, HU, ID, IL, IN, IS, JP, KE, KG, KM, KN, KP, KR, KZ, LA, LC, LK, LR, LS, LT, LU, LY, MA, MD, ME, MG, MK, MN, MW, MX, MY, MZ, NA, NG, NI, NO, NZ, OM, PG, PH, PL, PT, RO, RS, RU, SC, SD, SE, SG, SK, SL, SM, SV, SY, TJ, TM, TN, TR, TT, TZ, UA, UG, US, UZ, VC, VN, ZA, ZM, ZW

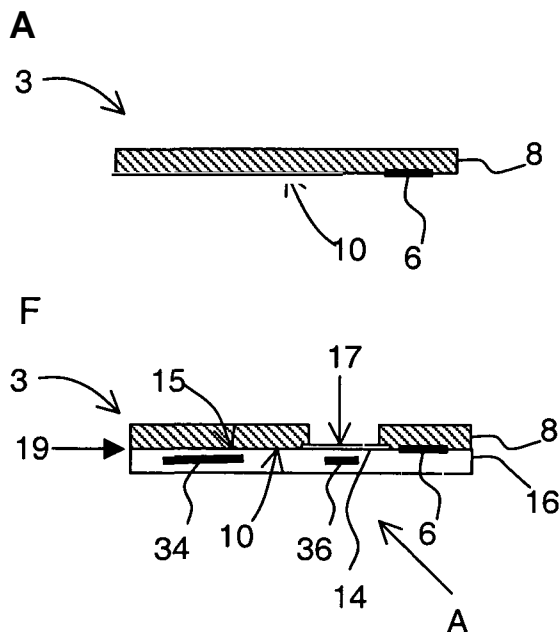
(84) Designated States (unless otherwise indicated, for every kind of regional protection available): ARIPO (BW, GH, GM, KE, LS, MW, MZ, NA, SD, SL, SZ, TZ, UG, ZM, ZW), Eurasian (AM, AZ, BY, KG, KZ, MD, RU, TJ, TM), European (AT, BE, BG, CH, CY, CZ, DE, DK, EE, ES, FI, FR, GB, GR, HU, IE, IS, IT, LT, LU, LV, MC, MT, NL, PL, PT, RO, SE, SI, SK, TR), OAPI (BF, BJ, CF, CG, CI, CM, GA, GN, GQ, GW, ML, MR, NE, SN, TD, TG).

Published:

- with international search report
- before the expiration of the time limit for amending the claims and to be republished in the event of receipt of amendments

(88) Date of publication of the international search report:
12 June 2008

(54) Title: METHOD FOR PRODUCING A DATA CARRIER AND DATA CARRIER PRODUCED THEREFROM



(57) Abstract: A method for producing a data carrier with a see-through portion is disclosed. The method includes applying a layer of separation material (14) to a surface of one of an at least translucent layer and a backing layer, and fixedly attaching the other of the translucent layer and the backing layer to that surface of the layer. The separation material prevents a part of the backing layer abutting it from being completely fixedly attached to the translucent layer. The method further includes removing at least a portion of the backing layer abutting the separation material to uncover a portion of the translucent layer adjacent the portion of the backing layer. The uncovered portion of the translucent layer defines a see-through portion of the data carrier. A data carrier with such a see-through portion is also disclosed.

WO 2008/043418 A3

INTERNATIONAL SEARCH REPORT

International application No
PCT/EP2007/007902

A. CLASSIFICATION OF SUBJECT MATTER INV. B42D15/10		
According to International Patent Classification (IPC) or to both national classification and IPC		
B. FIELDS SEARCHED		
Minimum documentation searched (classification system followed by classification symbols) B42D		
Documentation searched other than minimum documentation to the extent that such documents are included in the fields searched		
Electronic data base consulted during the international search (name of data base and, where practical, search terms used) EPO-Internal , WPI Data		
C. DOCUMENTS CONSIDERED TO BE RELEVANT		
Category*	Citation of document, with indication, where appropriate, of the relevant passages	Relevant to claim No.
A	EP O 012 375 A2 (HOECHST AG [DE]) 25 June 1980 (1980-06-25) abstract; figure 5 -----	1,7
A	FR 2 605 935 A (BOURDIER JEAN CLAUDE [FR]) 6 May 1988 (1988-05-06) abstract; figures 1-3 -----	1,7
A	WO 93/16445 A (FINKELSTEIN ALAN [US]) 19 August 1993 (1993-08-19) abstract; figure 1 -----	1,7
A	EP 1 698 485 A (CANADIAN BANK NOTE CO LTD [CA]) 6 September 2006 (2006-09-06) abstract; figure 3 ----- -/---	1,7
<input checked="" type="checkbox"/> Further documents are listed in the continuation of Box C. <input checked="" type="checkbox"/> See patent family annex.		
* Special categories of cited documents :		
'A' document defining the general state of the art which is not considered to be of particular relevance 'E' earlier document but published on or after the international filing date 'L' document which may throw doubts on priority claim(s) or which is cited to establish the publication date of another citation or other special reason (as specified) 'O' document referring to an oral disclosure, use, exhibition or other means 1P1 document published prior to the international filing date but later than the priority date claimed	'T' later document published after the international filing date or priority date and not in conflict with the application but cited to understand the principle or theory underlying the invention 'X' document of particular relevance; the claimed invention cannot be considered novel or cannot be considered to involve an inventive step when the document is taken alone 'Y' document of particular relevance; the claimed invention cannot be considered to involve an inventive step when the document is combined with one or more other such documents, such combination being obvious to a person skilled in the art. '&' document member of the same patent family	
Date of the actual completion of the international search <div style="text-align: center;">14 April 2008</div>	Date of mailing of the international search report <div style="text-align: center;">29/04/2008</div>	
Name and mailing address of the ISA/ European Patent Office, P.B. 5818 Patentlaan 2 NL - 2280 HV Rijswijk Tel. (+31-70) 340-2040, Tx. 31 651 epo nl, Fax: (+31-70) 340-3016	Authorized officer <div style="text-align: center;">Evans , Andrew</div>	

INTERNATIONAL SEARCH REPORT

International application No
PCT/EP2007/007902

(^Continuation). DOCUMENTS CONSIDERED TO BE RELEVANT

Category*	Citation of document, with indication, where appropriate, of the relevant passages	Relevant to claim No
A	WO 03/095218 A (SECURENCY PTY LTD [AU]; NEMETH JOSHUA ROBERT [AU]) 20 November 2003 (2003-11-20) abstract; figure 2 -----	1,7

INTERNATIONAL SEARCH REPORT

Information on patent family members

International application No

PCT/EP2007/007902

Patent document cited in search report	Publication date	Publication date	Patent family member(s)	Patent family member(s)	Patent family member(s)	Publication date
EP 0012375	A2	25-06-1980	DE	2853953	AI	03-07-1980
			JP	55090400	A	08-07-1980
			US	4304809	A	08-12-1981
<hr/>						
FR 2605935	A	06-05-1988	NONE			
<hr/>						
WO 9316445	A	19-08-1993	AT	166736	T	15-06-1998
			AU	3661393	A	03-09-1993
			AU	7057896	A	16-01-1997
			BR	9305870	A	19-08-1997
			CA	2129355	AI	19-08-1993
			DE	69318824	DI	02-07-1998
			DE	69318824	T2	18-02-1999
			DK	626085	T3	22-03-1999
			EP	0626085	AI	30-11-1994
			ES	2119891	T3	16-10-1998
			GR	3027719	T3	30-11-1998
			HK	1011512	AI	09-07-1999
			JP	2738980	B2	08-04-1998
			JP	7506918	T	27-07-1995
			SG	48280	AI	17-04-1998
			US	5434405	A	18-07-1995
US	5412199	A	02-05-1995			
<hr/>						
EP 1698485	A	06-09-2006	AU	2006200935	AI	21-09-2006
			CA	2538444	AI	04-09-2006
			NZ	545680	A	27-07-2007
			US	2006197337	AI	07-09-2006
<hr/>						
WO 03095218	A	20-11-2003	CA	2483370	AI	20-11-2003
			CN	1659038	A	24-08-2005
			EP	1501687	AI	02-02-2005
			NZ	535715	A	28-04-2006
			TW	254673	B	11-05-2006
			US	2005230959	AI	20-10-2005