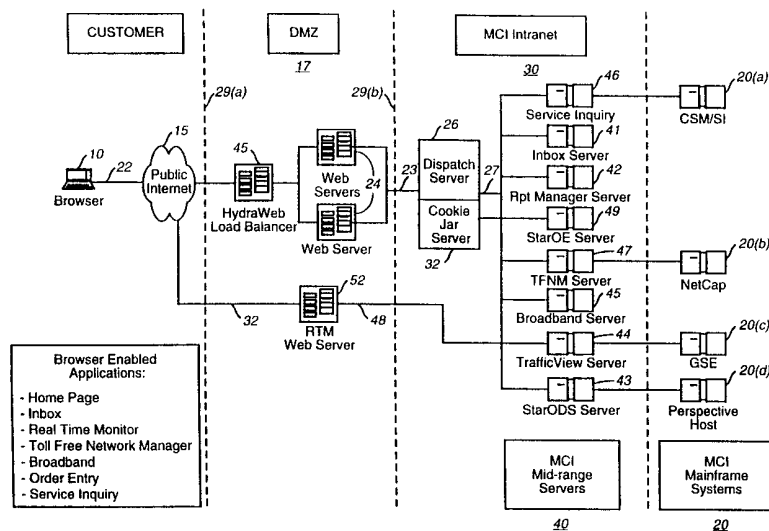




INTERNATIONAL APPLICATION PUBLISHED UNDER THE PATENT COOPERATION TREATY (PCT)

<p>(51) International Patent Classification ⁶ : G06F 13/00</p>	<p>A3</p>	<p>(11) International Publication Number: WO 99/15988</p> <p>(43) International Publication Date: 1 April 1999 (01.04.99)</p>
<p>(21) International Application Number: PCT/US98/20149</p> <p>(22) International Filing Date: 25 September 1998 (25.09.98)</p> <p>(30) Priority Data: 60/060,655 26 September 1997 (26.09.97) US</p> <p>(71)(72) Applicants and Inventors: DEVINE, Carol, Y. [US/US]; 395 Palm Springs Drive, Colorado Springs, CO 80921 (US). SHIFRIN, Gerald, A. [US/US]; 18910 Cypress Pt., Monument, CO 80132 (US). SHOULBERG, Richard, W. [US/US]; 306 Clarksley Road, Manitou Springs, CO 80829 (US).</p> <p>(74) Agents: GROLZ, Edward, W. et al.; Scully, Scott, Murphy & Presser, 400 Garden City Plaza, Garden City, NY 11530 (US).</p>		<p>(81) Designated States: AU, BR, CA, JP, MX, SG, European patent (AT, BE, CH, CY, DE, DK, ES, FI, FR, GB, GR, IE, IT, LU, MC, NL, PT, SE).</p> <p>Published <i>With international search report.</i> <i>Before the expiration of the time limit for amending the claims and to be republished in the event of the receipt of amendments.</i></p> <p>(88) Date of publication of the international search report: 28 October 1999 (28.10.99)</p>

(54) Title: SECURE SERVER ARCHITECTURE FOR WEB BASED DATA MANAGEMENT



(57) Abstract

A double firewalled system is disclosed for protecting remote enterprise servers (24) that provide communication services to telecommunication network customers (10) from unauthorized third parties. A first router (29a) directs all connection requests to one or more secure web servers (24), which may utilize a load balancer (45) to efficiently distribute the session connection load among a high number of authorized client users (10). On the network side of the web servers (24), a second router (29b) directs all connection requests to a dispatcher server (26), which routes application server calls to a proxy server for the application requested. A plurality of data security protocols are also employed. The protocols provide for an identification of the user (10) to ensure the user (10) is who he/she claims to be and a determination of entitlements that the user (10) may avail themselves of within the enterprise system. Session security is described, particularly as to the differences between a remote user's copper wire connection to a legacy system and a user's remote connection to the enterprise system over a "stateless" public Internet, where each session is a single transmission, rather than an interval of time between logon and logoff, as is customary in legacy systems.

FOR THE PURPOSES OF INFORMATION ONLY

Codes used to identify States party to the PCT on the front pages of pamphlets publishing international applications under the PCT.

AL	Albania	ES	Spain	LS	Lesotho	SI	Slovenia
AM	Armenia	FI	Finland	LT	Lithuania	SK	Slovakia
AT	Austria	FR	France	LU	Luxembourg	SN	Senegal
AU	Australia	GA	Gabon	LV	Latvia	SZ	Swaziland
AZ	Azerbaijan	GB	United Kingdom	MC	Monaco	TD	Chad
BA	Bosnia and Herzegovina	GE	Georgia	MD	Republic of Moldova	TG	Togo
BB	Barbados	GH	Ghana	MG	Madagascar	TJ	Tajikistan
BE	Belgium	GN	Guinea	MK	The former Yugoslav Republic of Macedonia	TM	Turkmenistan
BF	Burkina Faso	GR	Greece			TR	Turkey
BG	Bulgaria	HU	Hungary	ML	Mali	TT	Trinidad and Tobago
BJ	Benin	IE	Ireland	MN	Mongolia	UA	Ukraine
BR	Brazil	IL	Israel	MR	Mauritania	UG	Uganda
BY	Belarus	IS	Iceland	MW	Malawi	US	United States of America
CA	Canada	IT	Italy	MX	Mexico	UZ	Uzbekistan
CF	Central African Republic	JP	Japan	NE	Niger	VN	Viet Nam
CG	Congo	KE	Kenya	NL	Netherlands	YU	Yugoslavia
CH	Switzerland	KG	Kyrgyzstan	NO	Norway	ZW	Zimbabwe
CI	Côte d'Ivoire	KP	Democratic People's Republic of Korea	NZ	New Zealand		
CM	Cameroon	KR	Republic of Korea	PL	Poland		
CN	China	KZ	Kazakstan	PT	Portugal		
CU	Cuba	LC	Saint Lucia	RO	Romania		
CZ	Czech Republic	LI	Liechtenstein	RU	Russian Federation		
DE	Germany	LK	Sri Lanka	SD	Sudan		
DK	Denmark	LR	Liberia	SE	Sweden		
EE	Estonia			SG	Singapore		

INTERNATIONAL SEARCH REPORT

International application No.
PCT/US98/20149

A. CLASSIFICATION OF SUBJECT MATTER

IPC(6) :G06F 13/00

US CL : 709/200, 201, 203, 217, 218.219

According to International Patent Classification (IPC) or to both national classification and IPC

B. FIELDS SEARCHED

Minimum documentation searched (classification system followed by classification symbols)

U.S. 709/200, 201, 203, 217, 218.219

Documentation searched other than minimum documentation to the extent that such documents are included in the fields searched

Electronic data base consulted during the international search (name of data base and, where practicable, search terms used)

APS
server, secur#####, firewall#, internet or web

C. DOCUMENTS CONSIDERED TO BE RELEVANT

Category*	Citation of document, with indication, where appropriate, of the relevant passages	Relevant to claim No.
A	US 5,602,918 A (CHEN et al) 11 February 1997, the abstract, col 2, lines 23-65, col 3, lines 31-59.	1-30
A,P	US 5,805,803 A (BIRREL et al) 08 September 1998, the abstract, col 1, lines 38-43, col 2, lines 21-60, col 3, col 4.	1-30

Further documents are listed in the continuation of Box C. See patent family annex.

* Special categories of cited documents	*T* later document published after the international filing date or priority date and not in conflict with the application but cited to understand the principle or theory underlying the invention
A document defining the general state of the art which is not considered to be of particular relevance	*X* document of particular relevance; the claimed invention cannot be considered novel or cannot be considered to involve an inventive step when the document is taken alone
E earlier document published on or after the international filing date	*Y* document of particular relevance; the claimed invention cannot be considered to involve an inventive step when the document is combined with one or more other such documents, such combination being obvious to a person skilled in the art
L document which may throw doubts on priority claim(s) or which is cited to establish the publication date of another citation or other special reason (as specified)	*A* document member of the same patent family
O document referring to an oral disclosure, use, exhibition or other means	
P document published prior to the international filing date but later than the priority date claimed	

Date of the actual completion of the international search

14 AUGUST 1999

Date of mailing of the international search report

10 SEP 1999

Name and mailing address of the ISA/US
Commissioner of Patents and Trademarks
Box PCT
Washington, D.C. 20231

Facsimile No. (703) 305-3230

Authorized officer

MOUSTAFA

Telephone No. (703) 305-9697